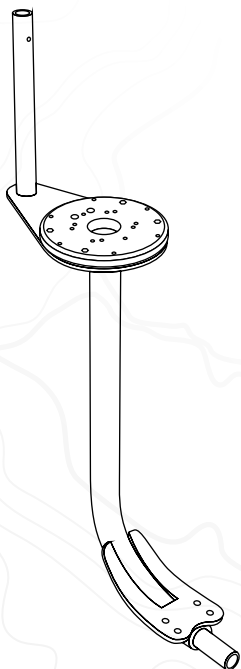


SEAVIEW

ELEVATE YOUR ELECTRONICS



INSTALLATION INSTRUCTIONS

For Seaview Light Bars:

LTBSF2 & LTBSF4

Refer to website for most up to date instructions and videos.

WWW.SEAVIEWGLOBAL.COM

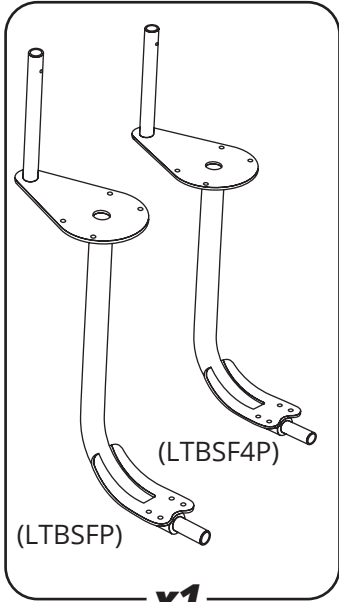
NOTE:

It is strongly advised that all installations are carried out by an authorized installer who possesses the necessary expertise and experience in marine equipment installation.

Furthermore, prior to the final installation process, we recommend performing a dry fit assembly of all components. This entails fitting the components in their designated positions on the boat without permanently affixing them. This step allows for careful assessment of compatibility, alignment, and any potential adjustments that may be required before proceeding with the actual installation.

PARTS INCLUDED

LTBSF PARTS



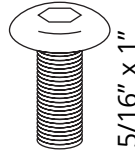
x1



5/16" x 1 1/4"

x4

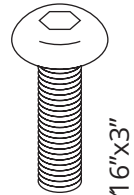
(51618114BHCS)



5/16" x 1"

x4

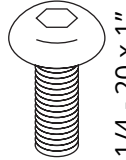
(516181BHCS)



5/16" x 3"

x4

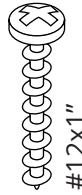
(516183BHCS)



1/4 - 20 x 1"

x4

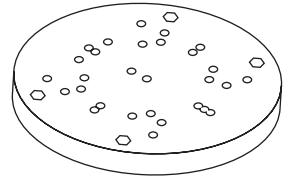
(14021BHCS)



#12 x 1"

x6

(12X1SMSPHPH)



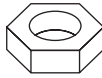
x1

(SLADAPT3)



x6

(14NW)



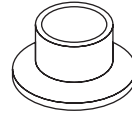
x4

(1420LNUT)



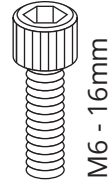
x4

(14SB)



x4

(516SB)



M6 - 16mm

x6

(M616SHCS_PATCH)

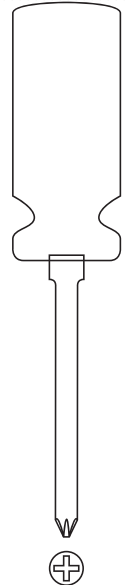
TOOLS NEEDED



Sudbury Elastomeric Marine Sealant is recommended. To purchase call 800-655-7922 or visit www.seaviewglobal.com

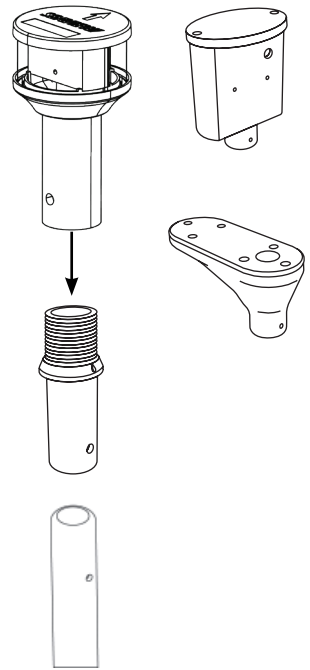


5/32 = 4mm



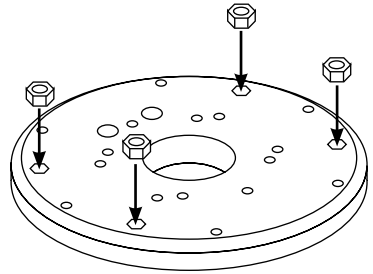
1

Install your light, adapter or box onto the light bar by following the instructions that came with the optional accessory.



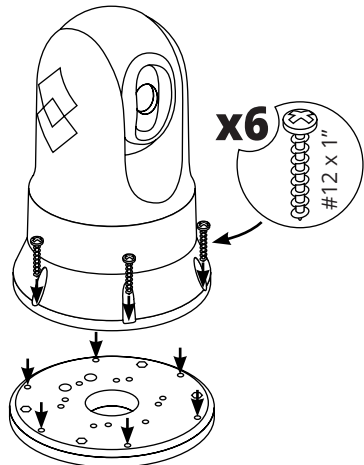
2

Insert the four nuts into the adapter plate. This has most likely been done for you.



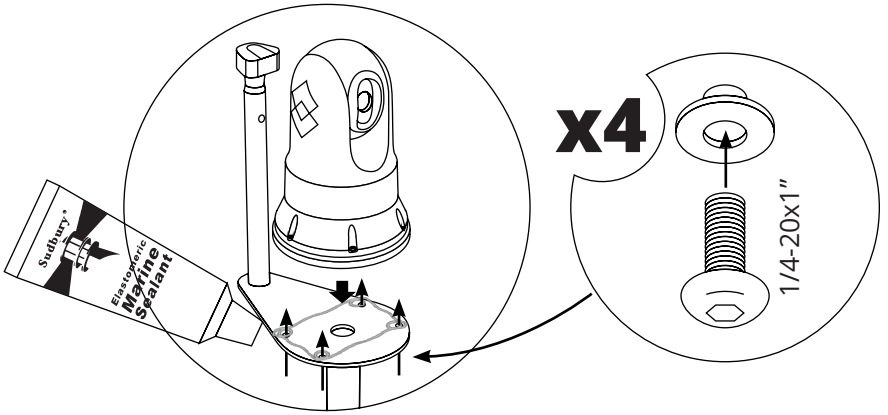
3A

Drill small pilot hole for #12 screws. Refer to the drill template on the last page for drill location. Using a phillips head screwdriver screw in the six #12x1" screws to secure the camera to the adapter plate.



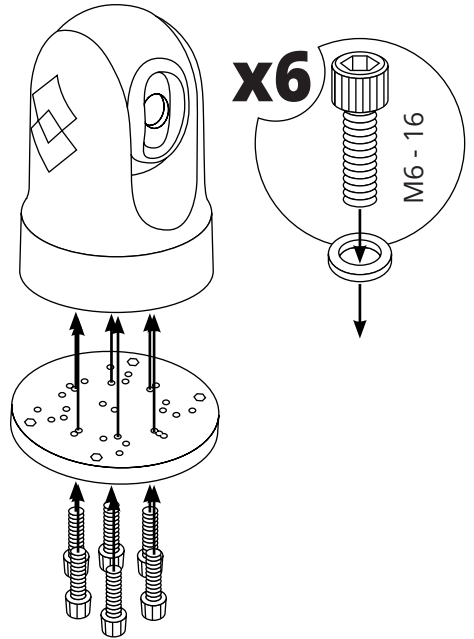
3B

Add a bead of marine sealant. Secure the camera or search light assembly to the light bar using the four 1/4-20x1" bolts and nylon shoulder washers.



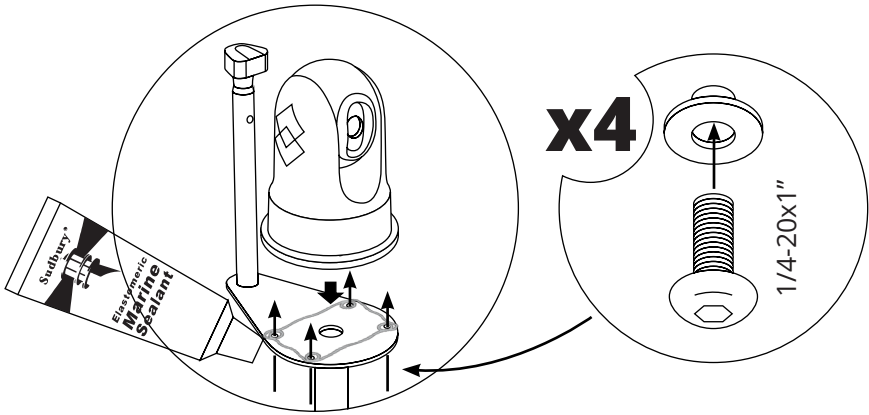
4A

Drill holes for M6 bolts. Refer to the drill template on the last page for drill location. Using an Allen wrench, screw in the six M6 - 16mm bolts to secure the camera to the adapter plate.



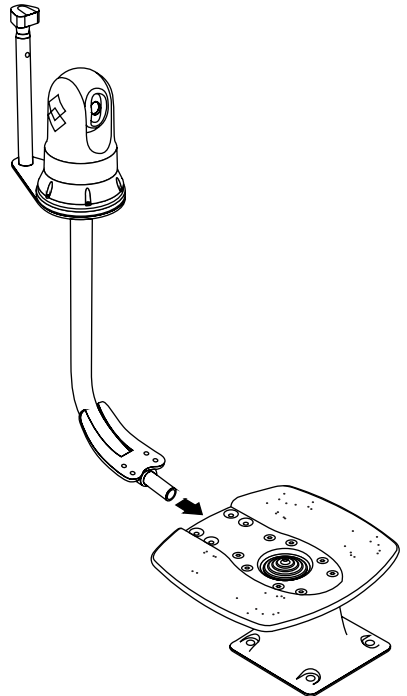
4B

Add a bead of marine sealant. Secure the camera or search light assembly to the light bar using the four 1/4-20x1" bolts and nylon shoulder washers.



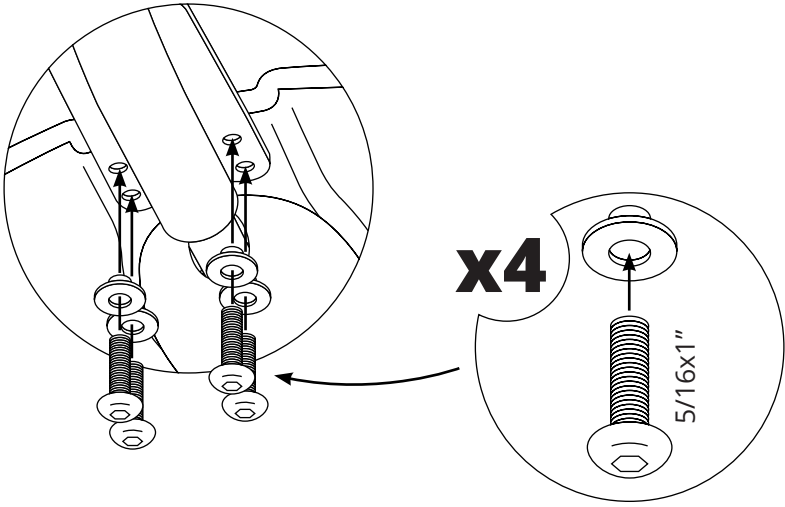
5

Insert the light bar into the light bar hole located on the back of the Seaview mount.



6A

Using the four 5/16x1" bolts and nylon shoulder washers, secure the light bar by bolting it to the top plate. If the top plate is 1" - 1 1/4" thick starboard (example ADAR1DMLTB) then use the 5/16 x 1 1/4" bolts.



6B

When using the Seaview #SP1-MOD or #SP2-MOD Spreader Kits use the 5/16x3" bolts.

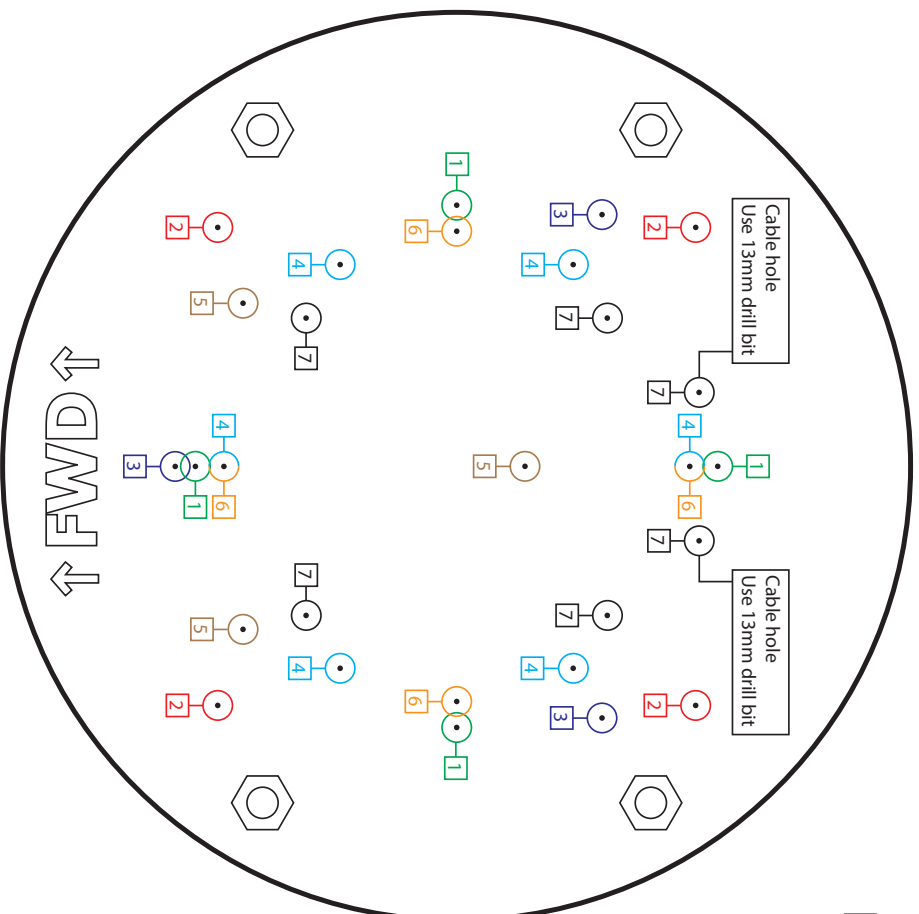
SLADAPT-3 Drill Template

SEARCH LIGHTS

- | | | |
|---|---------|-------------|
| 1 | ACR | RCL 75 |
| 6 | ACR | RCL 100 |
| 2 | GOLIGHT | 2000 / 2020 |
| 3 | GOLIGHT | STRIKER |

CAMERAS

- | | | |
|---|-----------|----------------------|
| 4 | FLIR | RAYMARINE |
| | M-Series | 17300 / 16400 Series |
| 5 | GARMIN | 2000 / 2020 |
| 7 | FLIR | RAYMARINE |
| | MD-Series | 17300 Series |
| | SONYX | Nightwave |
- Note: * locate and drill a hole for the strap-studs



A background of a topographic map with contour lines, rendered in a light gray color. The map shows various landmasses and elevation changes.

SEAVIEW///
ELEVATE YOUR ELECTRONICS

SEAVIEW///

Tel: 800-655-7922
www.seaviewglobal.com

EUROPEAN OFFICE

Tel: +33 4 94 53 27 70
www.seaviewprogress.com

5-4232021