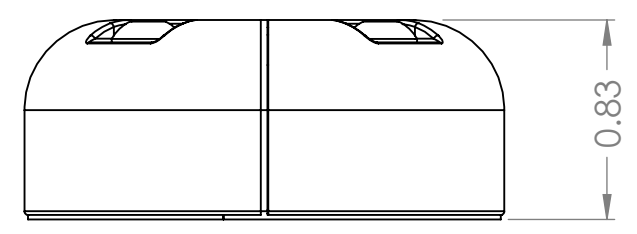
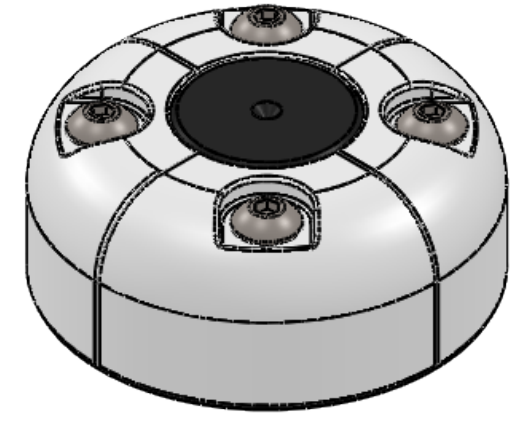
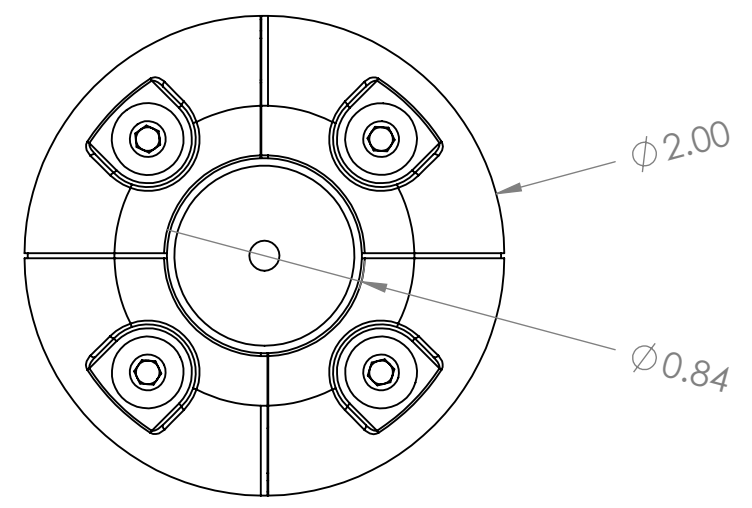
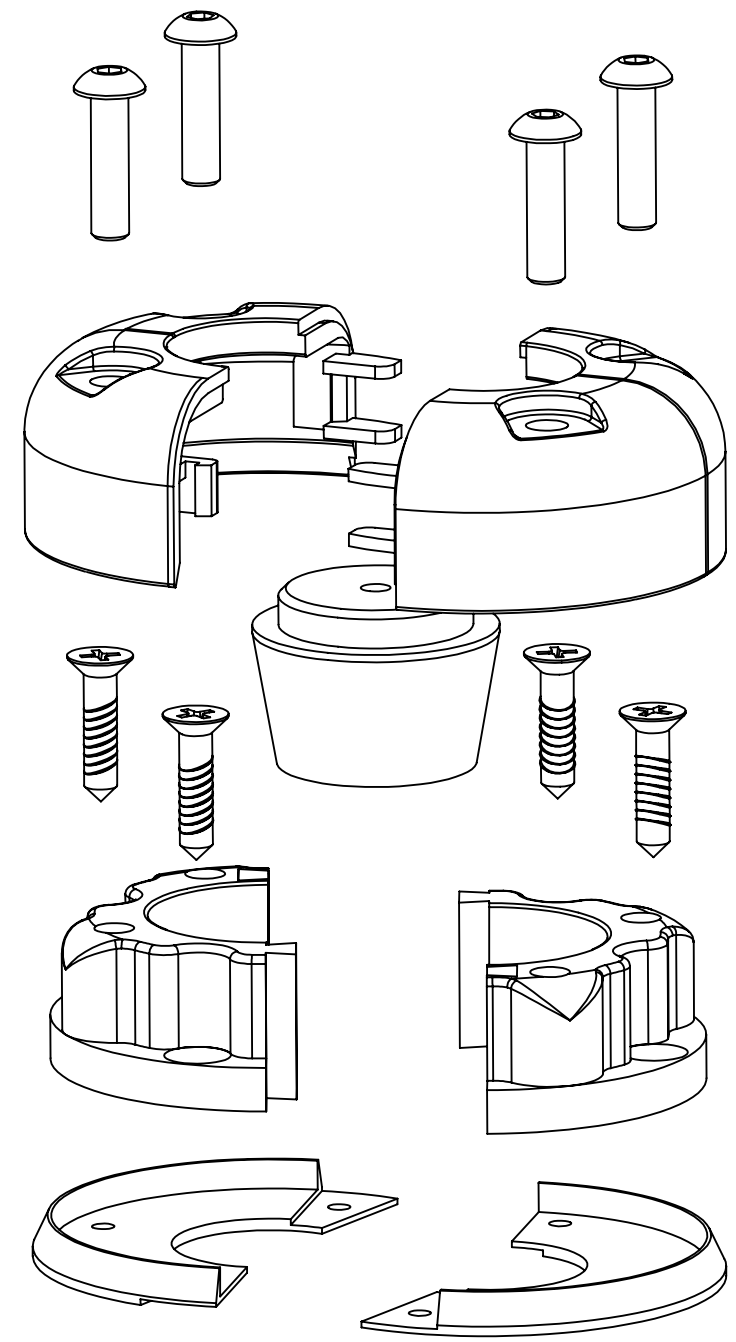



8 7 6 5 4 3 2 1

D
C
B
A

D
C
B
A



PROPRIETARY AND CONFIDENTIAL
THE INFORMATION CONTAINED IN THIS DRAWING IS THE SOLE PROPERTY OF SEAVIEW. ANY REPRODUCTION IN PART OR AS A WHOLE WITHOUT THE WRITTEN PERMISSION OF SEAVIEW IS PROHIBITED.

		UNLESS OTHERWISE SPECIFIED:		NAME	DATE	 TITLE: <h1>CG20PG2</h1>	
		DIMENSIONS ARE IN INCHES		DRAWN	S.C.		5.26.23
		TOLERANCES:		CHECKED			
		FRACTIONAL ±		ENG APPR.			
		ANGULAR: MACH ± BEND ±		MFG APPR.			
		TWO PLACE DECIMAL ±.01		Q.A.			
		THREE PLACE DECIMAL ±.003		COMMENTS:			
		INTERPRET GEOMETRIC TOLERANCING PER:					
		MATERIAL		--		SIZE	
		FINISH		--		DWG. NO.	
NEXT ASSY	USED ON					REV	
APPLICATION		DO NOT SCALE DRAWING				A	
				SCALE: 1.25:WEIGHT:		SHEET 1 OF 1	

8 7 6 5 4 3 2 1