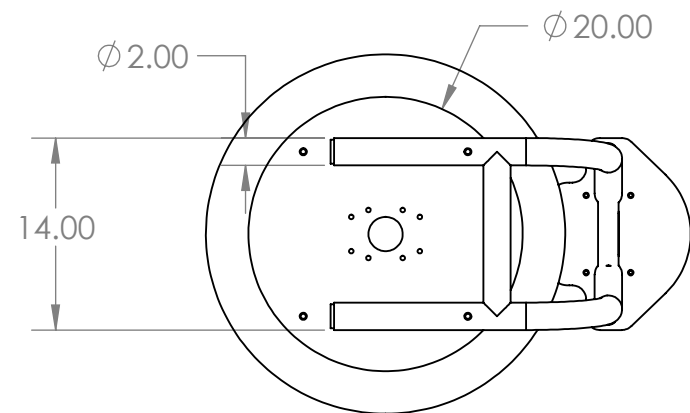
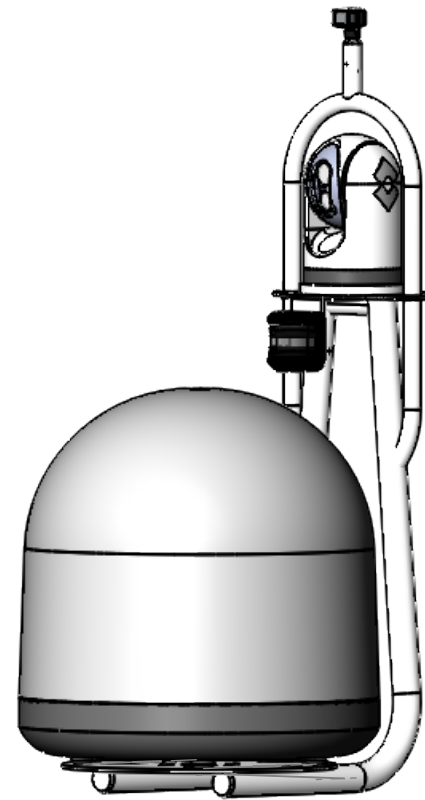
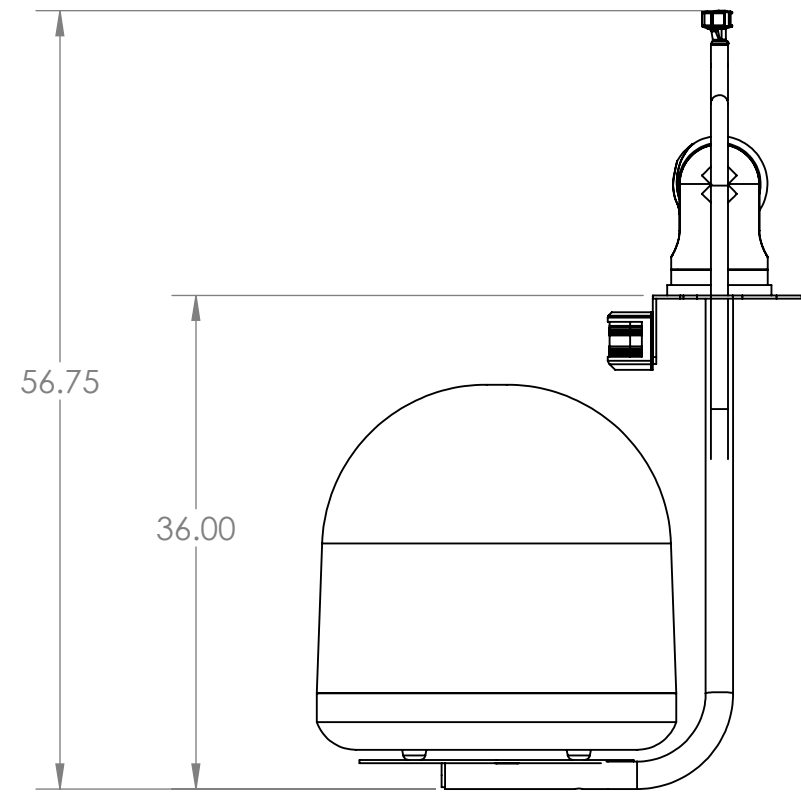


8 7 6 5 4 3 2 1

D  
C  
B  
A

D  
C  
B  
A



**PROPRIETARY AND CONFIDENTIAL**  
 THE INFORMATION CONTAINED IN THIS DRAWING IS THE SOLE PROPERTY OF SEAVIEW. ANY REPRODUCTION IN PART OR AS A WHOLE WITHOUT THE WRITTEN PERMISSION OF SEAVIEW IS PROHIBITED.

		UNLESS OTHERWISE SPECIFIED:		NAME	DATE	<b>SEAVIEW</b>	
		DIMENSIONS ARE IN INCHES		DRAWN			TITLE:
		TOLERANCES:		CHECKED			
		FRACTIONAL ±		ENG APPR.			
		ANGULAR: MACH ± BEND ±		MFG APPR.			
		TWO PLACE DECIMAL ±.01		Q.A.			
		THREE PLACE DECIMAL ±.003		COMMENTS:			
		INTERPRET GEOMETRIC TOLERANCING PER:				SIZE	
		MATERIAL				DWG. NO.	
		FINISH				#63	
NEXT ASSY	USED ON					REV	
APPLICATION		DO NOT SCALE DRAWING				A	
				SCALE: 1:14 WEIGHT:		SHEET 1 OF 1	

8 7 6 5 4 3 2 1