

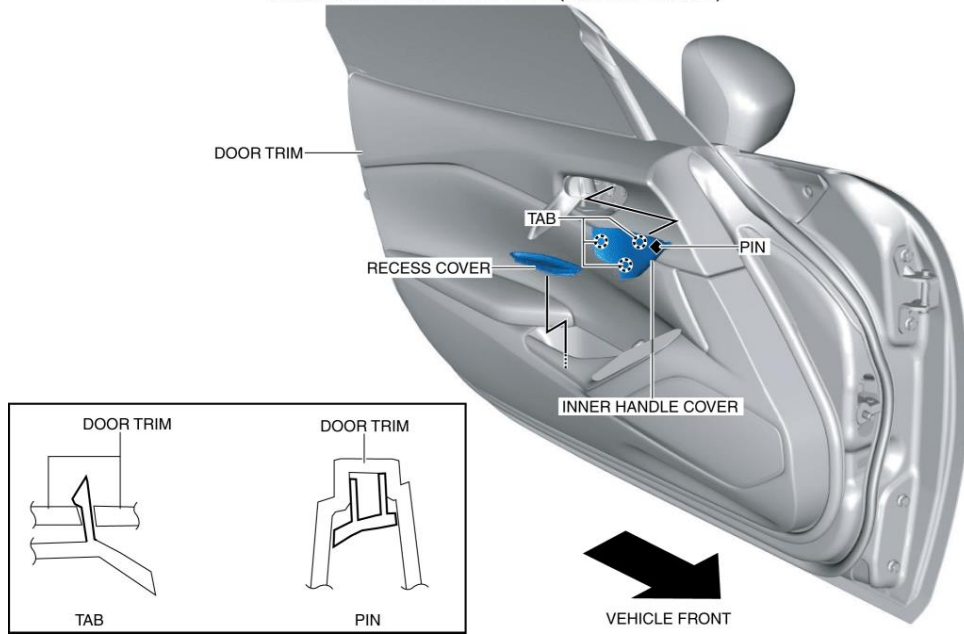
Automatic Roll-Up Windows Controller Installation Guide.



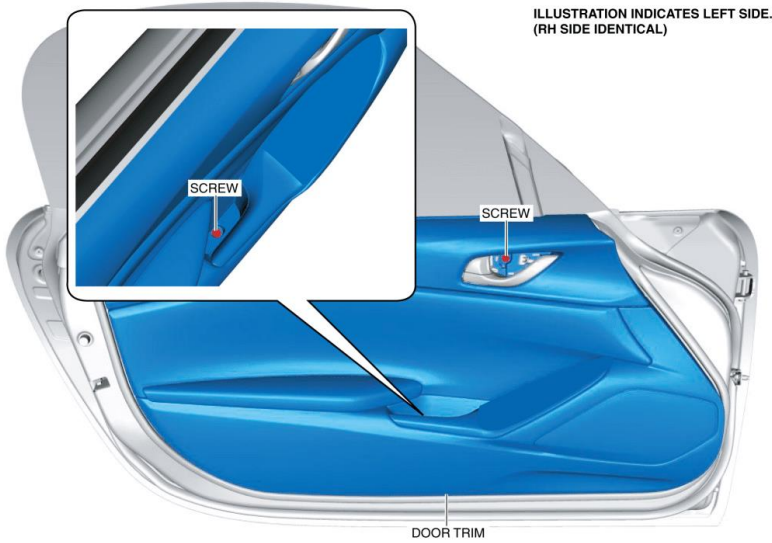
Step by step instruction:

1. Lower both windows and open the top.
2. Disconnect the negative battery cable.
3. Remove the inner handle cover while detaching tabs, pin

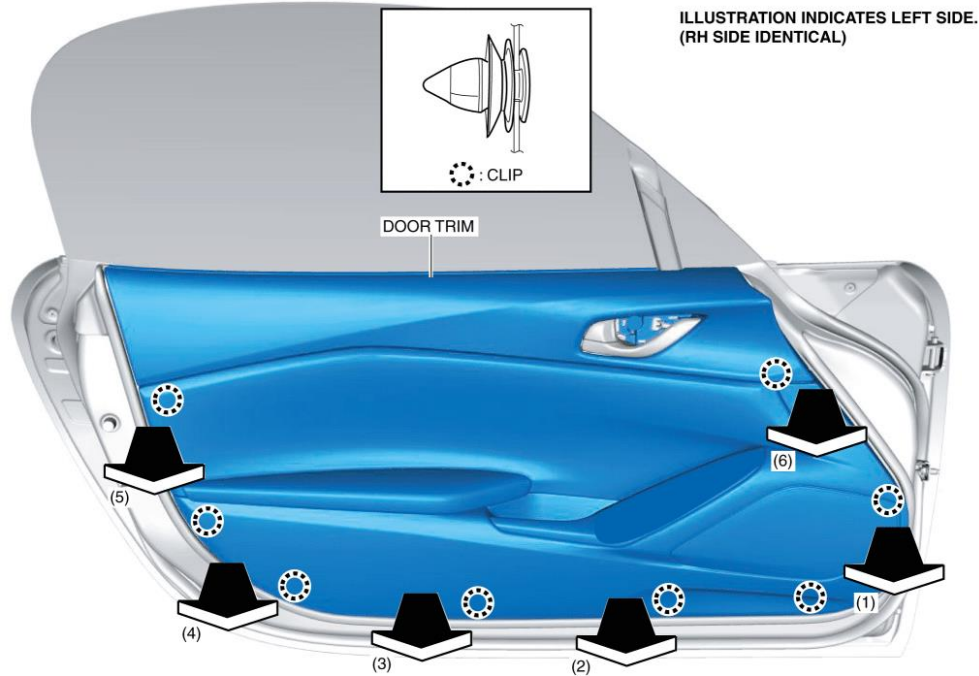
ILLUSTRATION INDICATES LEFT SIDE. (RH SIDE IDENTICAL)



- 4. Remove the recess cover.
- 5. Remove the screw.

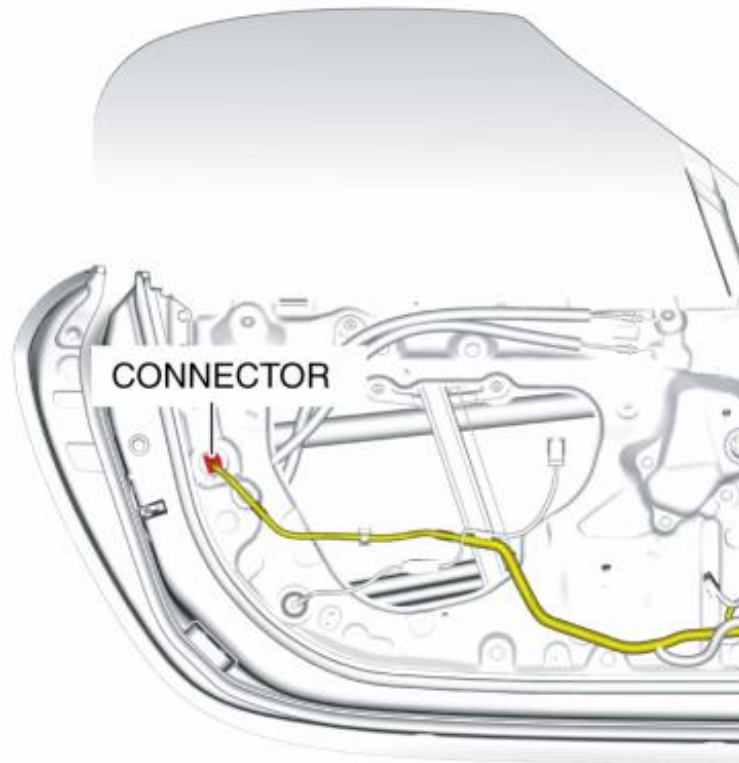


- 6. Move the door trim in the order of arrows (1), (2), (3), (4), (5) and (6) shown in the figure and detach the clips.



7. Unplug the connectors.
8. Move the edges of the switch panels in the directions of the arrows shown in the figure and detach the tabs from the switch panels in the order starting from the vehicle front side.
9. Attach harness between the switch and main harness.
10. Attach module with Velcro strip to the door metal panel.

11. If the cable for Key Fob operation is included, reattach the door connector through the harness.
12. Plug 2 pin connector into the main controller harness.



13. Put everything back.
14. Run initialization procedure, according to Mazda manual (see next page)

POWER WINDOW SYSTEM INITIALIZATION PROCEDURE

NOTE: The initial setting must be performed after performing any of the following procedures.

1. Close the door.
2. Close the convertible top and secure the top lock.
3. Switch the ignition ON. (engine on or off)
4. Operate the power window main switch (LH) on the power window main switch to fully open the door glass (driver-side).
5. Operate the power window main switch (LH) on the power window main switch and keep the door glass (driver-side) fully closed for approx. 2 sec.
6. Operate the power window main switch (RH) or the power window sub-switch to fully open the door glass. (passenger-side)
7. Operate the power window main switch (RH) or the power window sub-switch and keep the door glass (passenger-side) fully closed for approx. 2 sec.

Testing operation with installed controller:

1. Close the door.
2. Complete POWER WINDOW SYSTEM INITIALIZATION PROCEDURE
3. Perform configuration programming (see below).
4. Close the convertible top and secure the top lock.
5. Raise both windows.
6. Unlock the top lock. Windows will go down for about 4"
7. Completely open the top and lock in the open position. Windows will go Up or Down depending on default programming.
8. Operate manually with windows and lower them at the end.
9. Close the convertible top and secure the top lock. Both windows should go all the way up.
10. If the Key Fob control cable is installed, check operation with Key Fob by pressing Lock/Unlock buttons. Windows will open on the double click Unlock button and close on the single click of the Lock button.

Note: If the door is open, the automatic function will be disabled.

Default automatic function programming

There are two options for automatic functions. One option will drop windows down when the top is open, and the second option windows will go up if the top is open. The default operation could be programmed by a sequence of actions:

1. Unlock the soft top latch. Leave it in this position. Windows will go down 4 inches.
2. Click on the driver side switch, to move windows a little. To make windows automatically go down every time, click down. To make windows automatically go up, click up.
3. Lock the soft top in the fully open position. Now the module will remember default settings. Windows will go down or up depending on the configuration.

Warning: do not attempt to open/close windows by Key Fob multiple times, it may drain the car battery quickly.