

E-GLOW



- DE MONTAGEANLEITUNG
- GB ASSEMBLY INSTRUCTIONS
- FR INSTRUCTIONS DE MONTAGE
- IT ISTRUZIONI DI MONTAGGIO
- NL MONTAGE HANDLEIDING
- DK MONTERINGSVEJLEDNING
- ES INSTRUCCIONES DE MONTAJE
- SE MONTERINGS ANVISNING
- NO MONTERINGS ANVISNING
- FI ASENNUSOHJEET
- PL INSTRUKCJA MONTAZU
- JP 装着方法

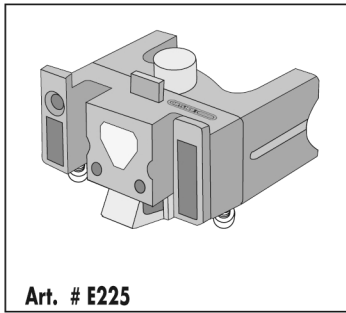


→ OPTION 1

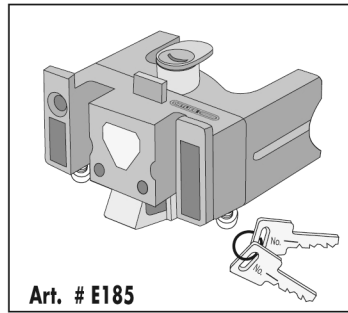
- A 4 x M5x12
 - B 4 x
- OPTION 2

! MOUNTING-SET REQUIRED

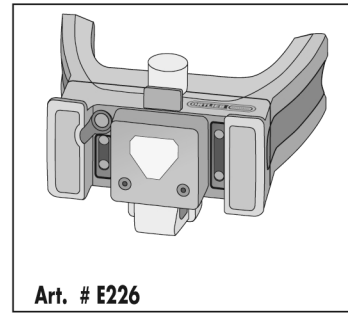
HANDLEBAR MOUNTING-SET



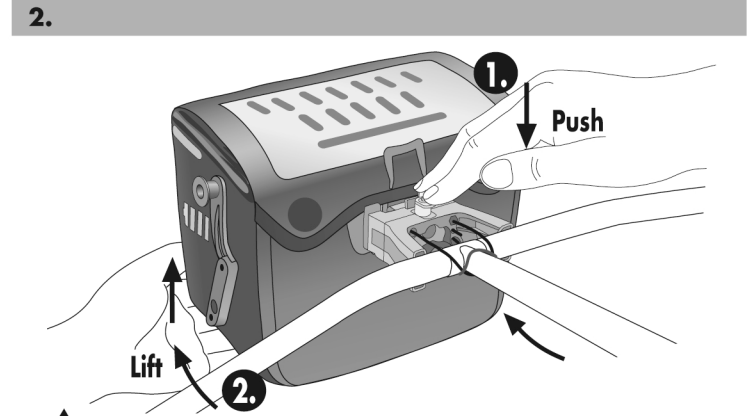
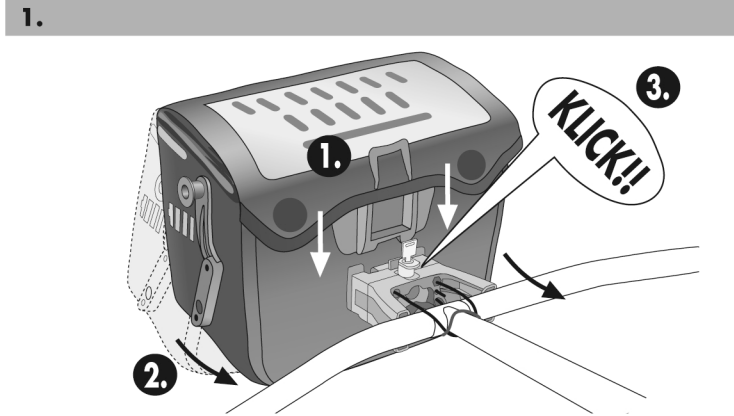
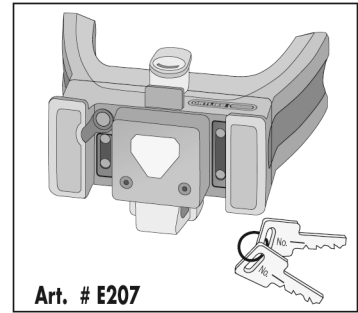
HANDLEBAR MOUNTING-SET WITH LOCK



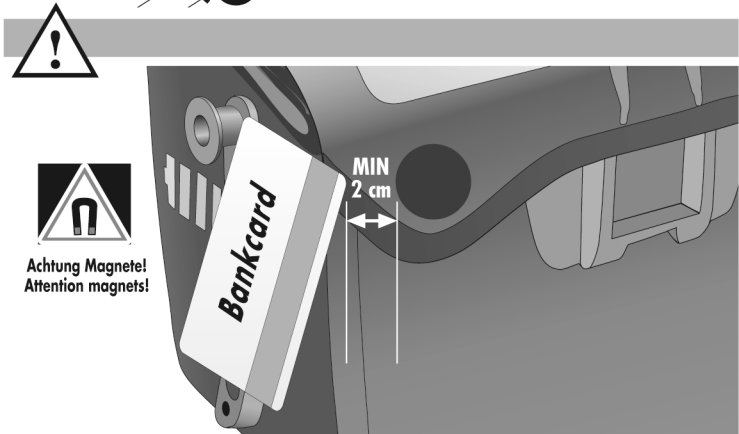
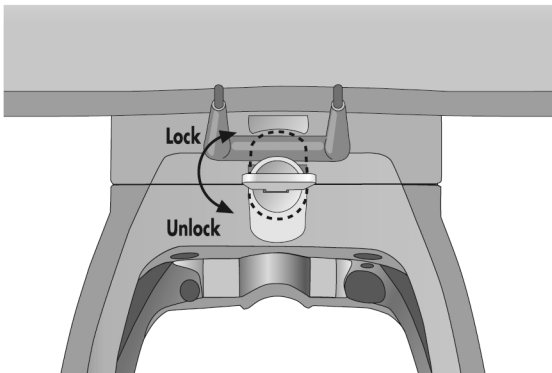
HANDLEBAR MOUNTING-SET E-BIKE



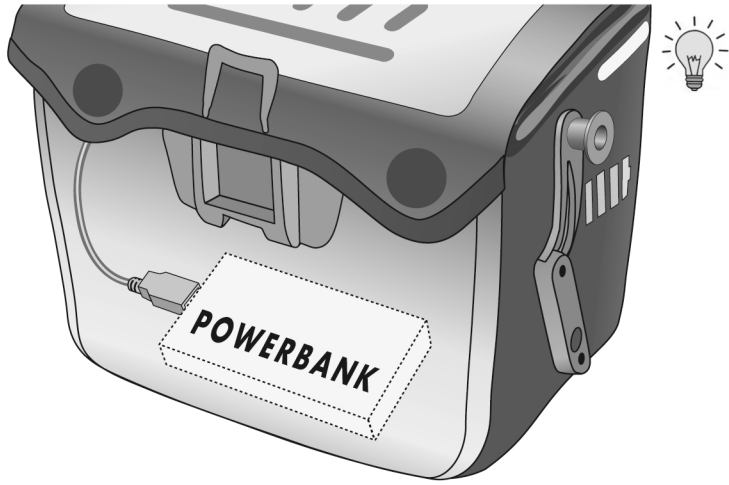
HANDLEBAR MOUNTING-SET E-BIKE WITH LOCK



OPTION



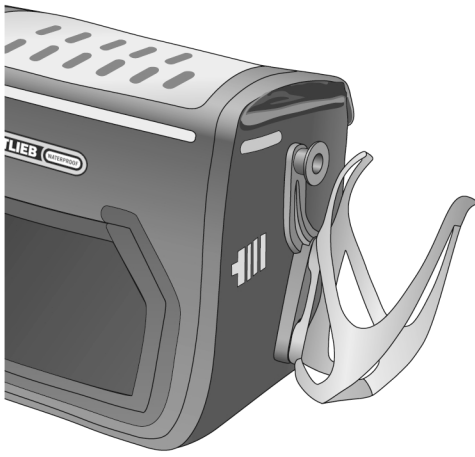
OPTION 1 POWERBANK/LIGHT



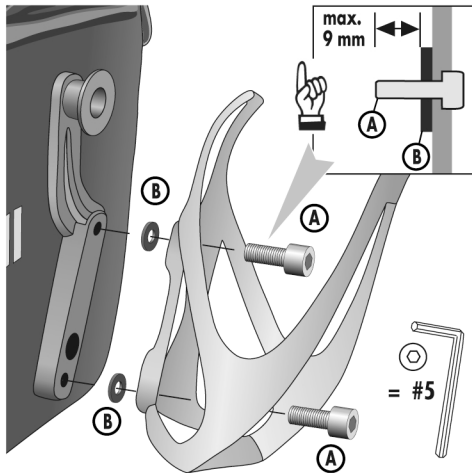
OPTION 2



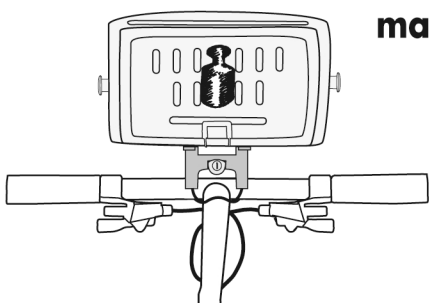
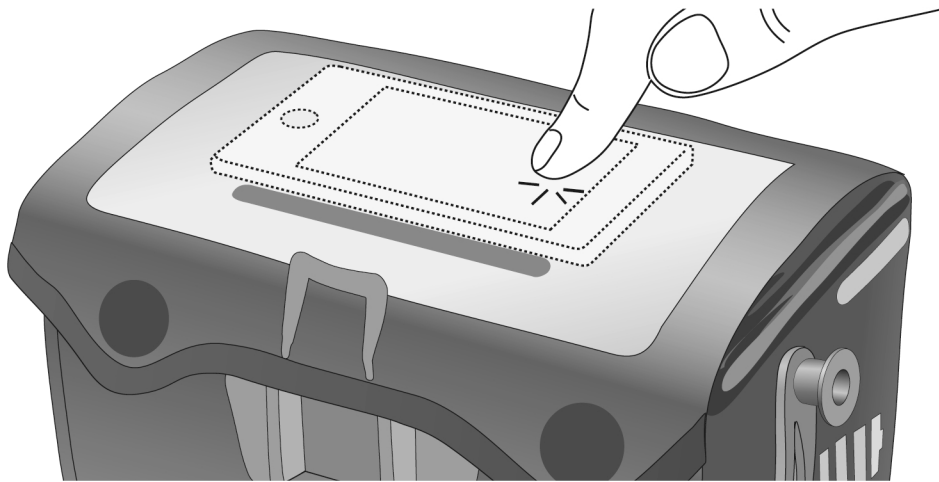
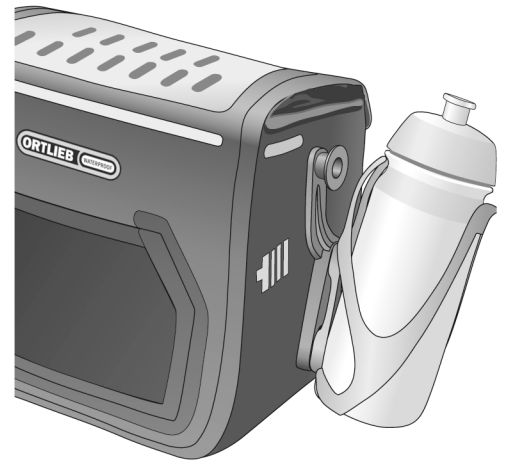
OPTION 2.1



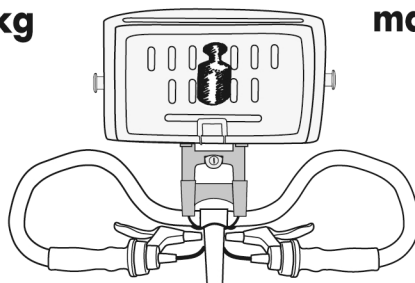
OPTION 2.2



OPTION 2.3



max. 5 kg



max. 5 kg

