

2155 - TETHYS PRO

A compact and lightweight pulley with movable flanges and a large connection point that accommodates two carabiners.

For ropes up to 13 mm. Prusik minding, the self-locking knot can be installed on both sides. Sealed ball bearings for high efficiency and intensive use at high speed.

Efficiency: 92%.

Aluminum alloy body and wheel, stainless steel axle.

CE EN 12278

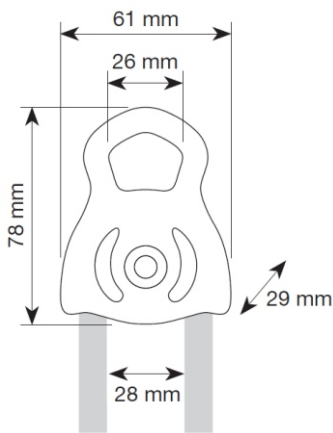
ROPE ACCESS

TREE CLIMBING

TEAM RESCUE



MBL 25 kN WLL 6 kN



Large connection point that accommodates two carabiners

Movable flanges

Sealed ball bearings

Prusik minding, the self-locking knot can be installed on both sides

