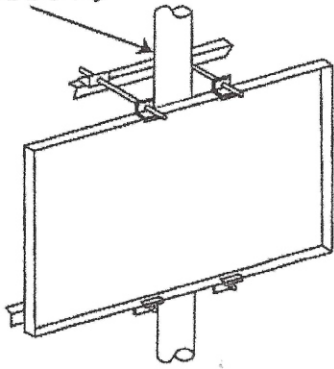
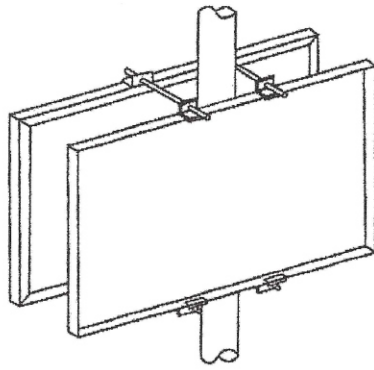


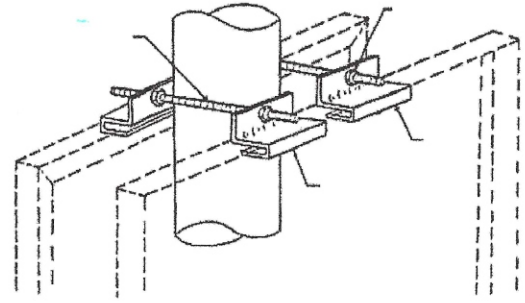
**ANGLE IRON
(INCLUDED)**



U-SC-1



U-SC-2



U-SC-2

1. Place sign clamp assembly on each side of pole
2. Hook clamp over edge of each sign frame face
(For U-SC-1 mounting, hook clamp over frame face and use supplied angle iron on back of post)
3. Adjust spacing evenly around post
4. Tighten nuts securely to hold signs in position against post