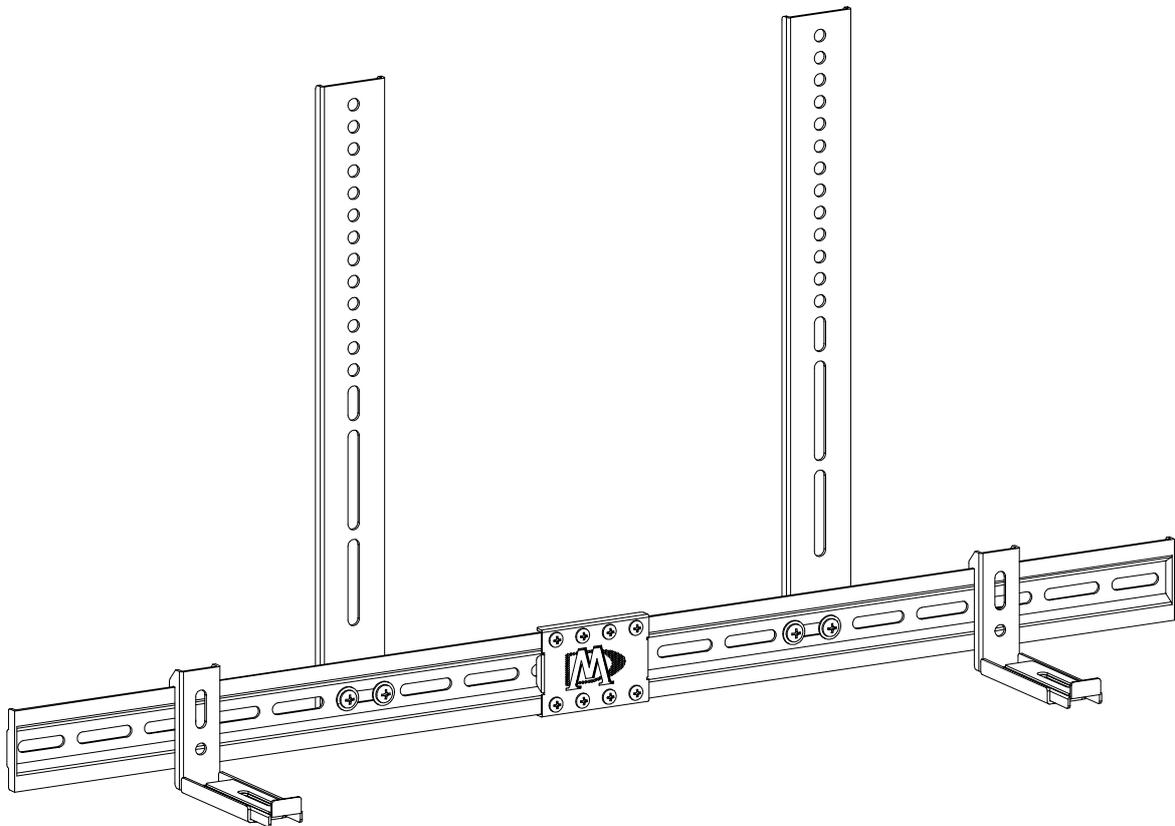




Mounting Dream

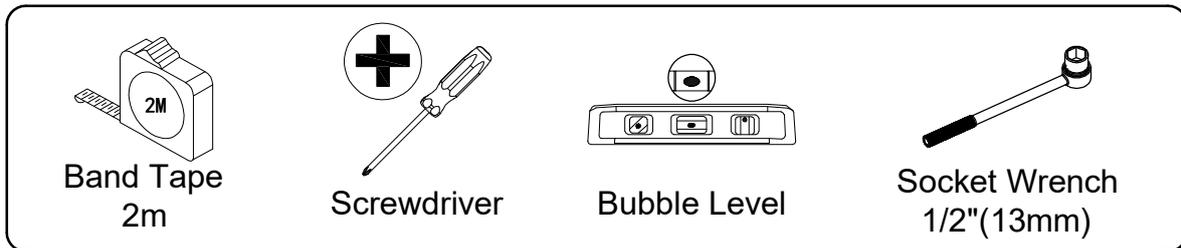
MD5425 INSTALLATION INSTRUCTION



(C3)

Before You Begin. Please check the following items:

- The weight of your sound bar DO NOT EXCEED 20LBS (9 KG).
- You must verify that the total weight of your TV, sound bar, sound bar mount and any accessories must be lower than the maximum weight rating of your TV mount.
- You read through the user manuals of your TV, sound bar and TV mount for additional guidance.
- You have the tools needed for installation.



Safety Caution:

Please read this instruction carefully before installation.

- For wall mounted cases, the wall must be capable of supporting five times the weight of the TV, mount and sound bar combined.
- Incorrect installation may result in product damage or body injury. Mounting Dream shall bear no responsibility for any damage or injury resulted from incorrect installation, incorrect assembly or misuse.
- Do not apply this product to any purpose not indicated by Mounting Dream.

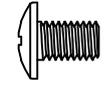
STEP 1 Assemble Wall Plate

Parts and Hardware

⚠ WARNING: This product contains small items that could be a choking hazard if swallowed. Before starting assembly, verify all parts are included and undamaged.

NOTE: Not all hardware included will be used.

M5x8mm Bolt



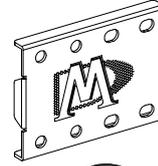
01 x8

Allen Key



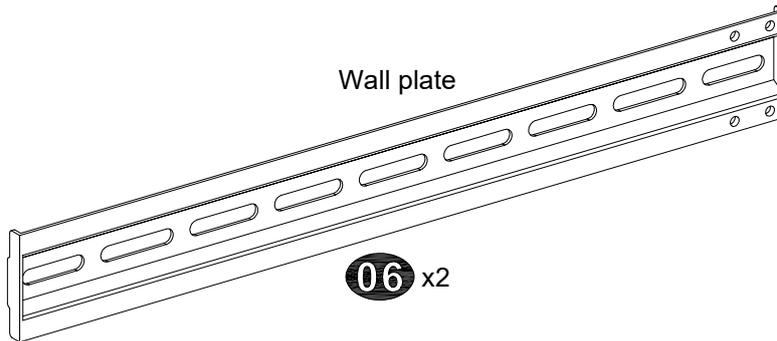
02 x1

Connection plate



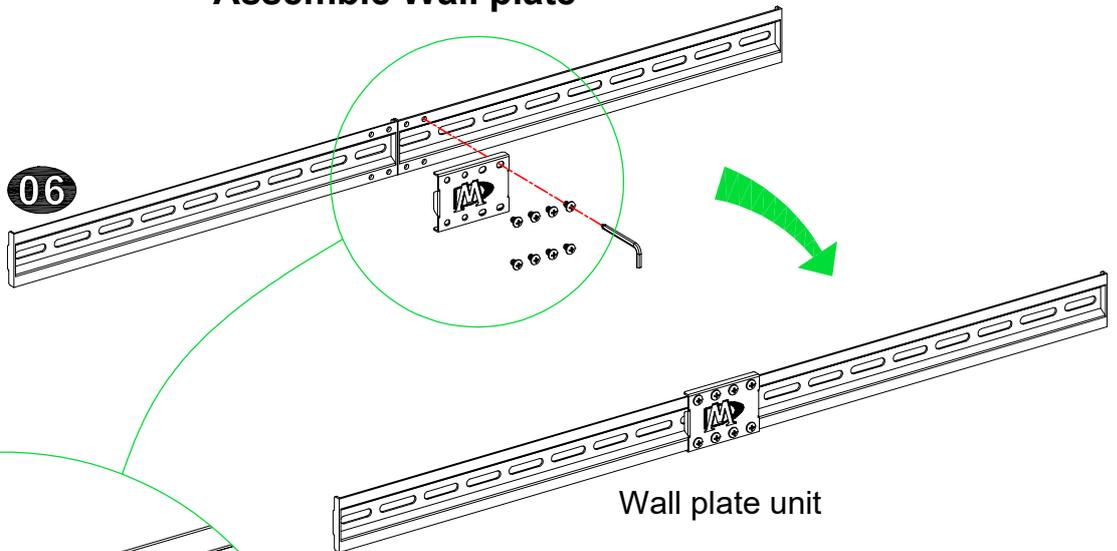
05 x1

Wall plate



06 x2

Assemble Wall plate



Wall plate unit

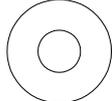
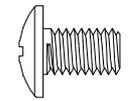


STEP 2 Further Assembly of Soundbar Brackets

Parts and Hardware

M6x10mm

M6 Washer



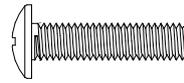
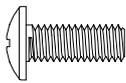
03 x4

04 x4

TV Screws

M6x16mm

M6x25mm



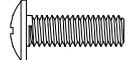
a x4

b x4

Soundbar Screws

M4x16mm

M5x16mm

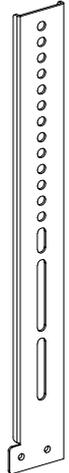
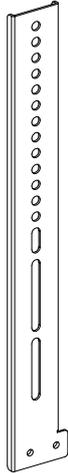


A x2

B x2

Bracket (Left)

Bracket (Right)

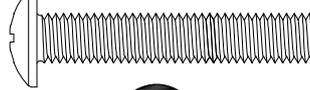
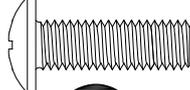


07 x1

08 x1

M8x25mm

M8x45mm

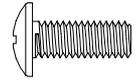


c x4

d x4

M6x16mm

M6



C x2

D x2

Spacers

Washers

M8x10mm

2.5mm

M6



e x4

f x6

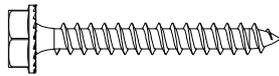
g x4



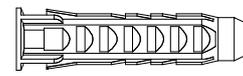
"L" Shaped Bracket

09 x2

Lag bolt and concrete wall anchor (NOT INCLUDED)



Lag Bolt M7x55mm 2pcs

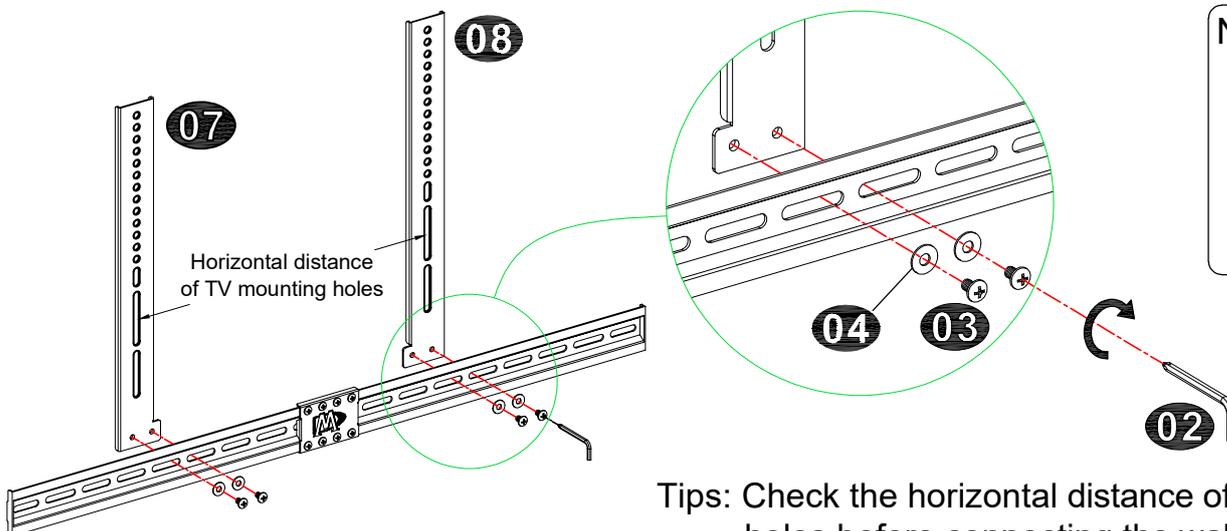


Concrete Wall Anchor 2pcs

STEP 2A

Install on TV Wall Mount

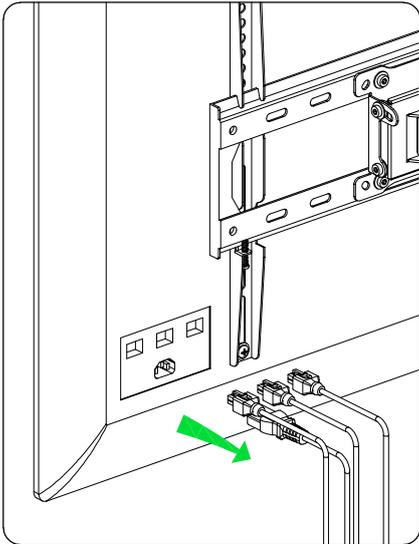
2A-1 Attach Brackets to Wall Plate



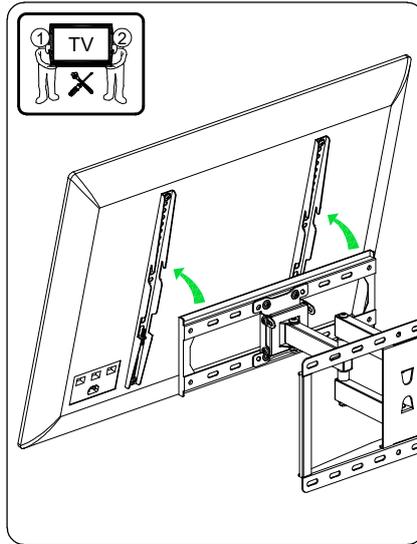
Tips: Check the horizontal distance of TV mounting holes before connecting the wall plate unit to the brackets.

2A-2 Disassemble Your TV from the Mount

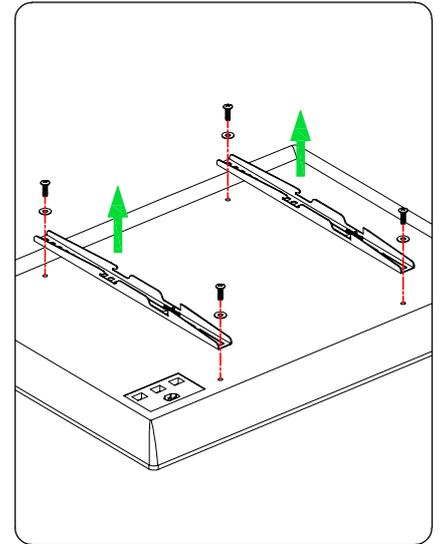
I Remove all cables



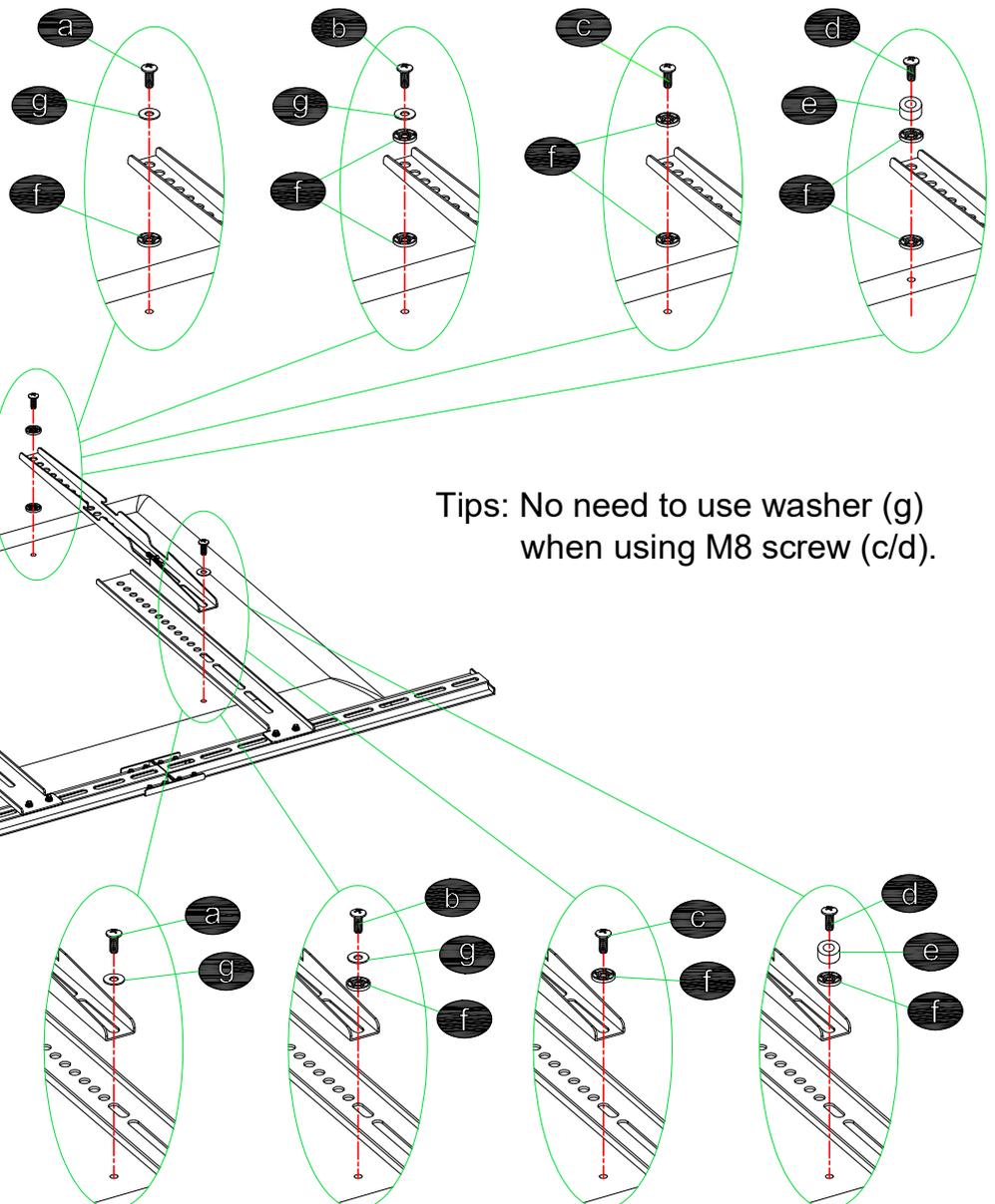
II Take off the TV from the mount



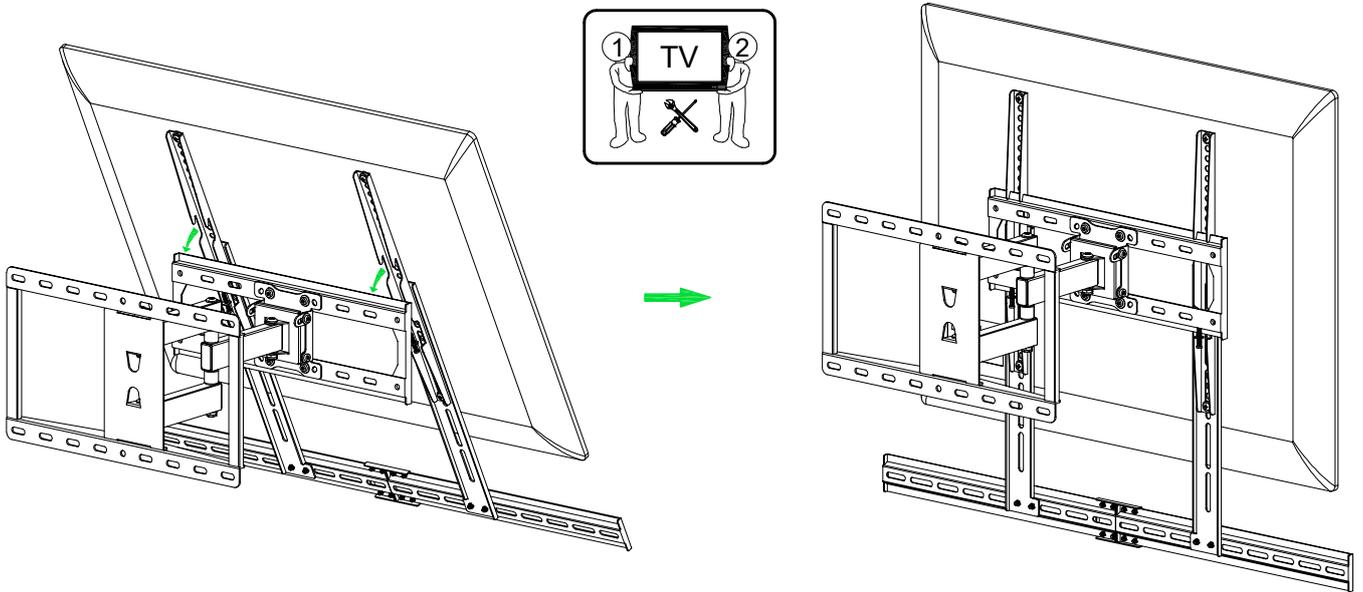
III Remove the TV brackets from your TV



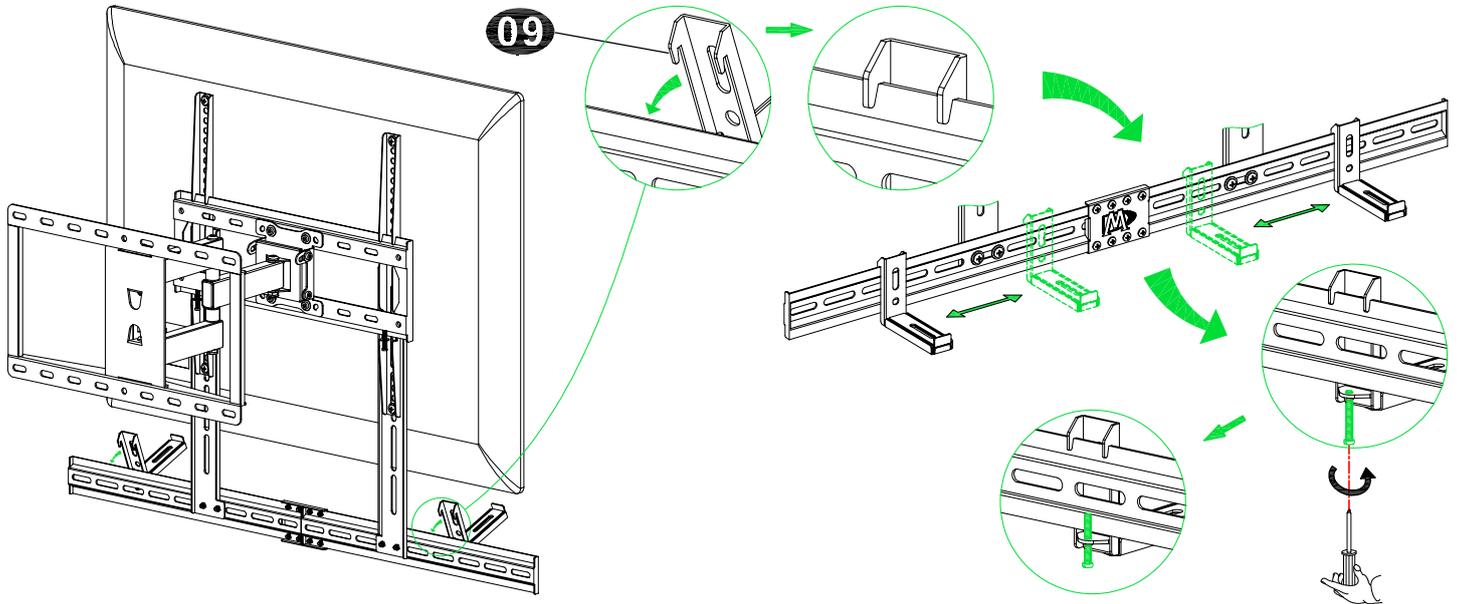
2A-3 Attach the Assembled Brackets Unit to Your TV



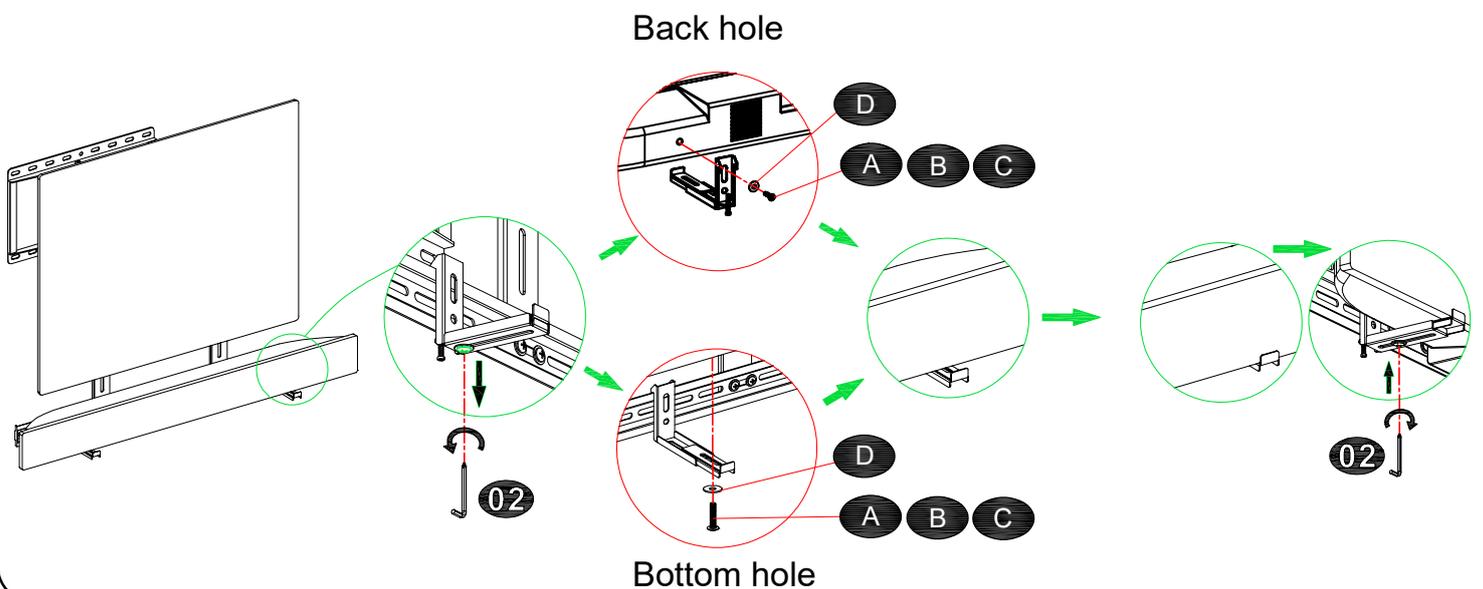
2A-4 Hang the Whole Assembled Unit to the Mount



2A-5 Hang and Secure the 'L' Shaped Brackets



2A-6 Put the Soundbar on the "L" Shaped Brackets



STEP 2B

Mount on the wall



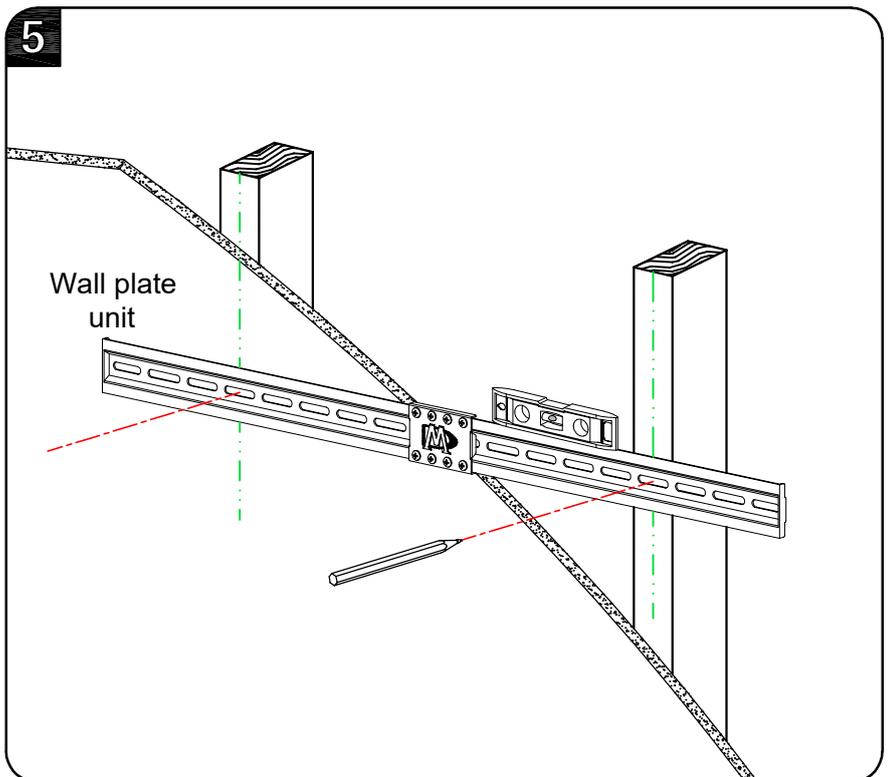
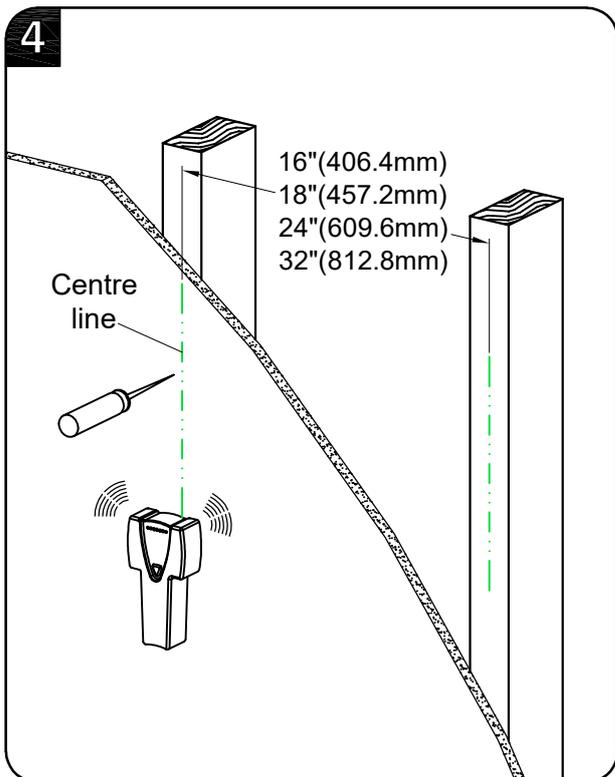
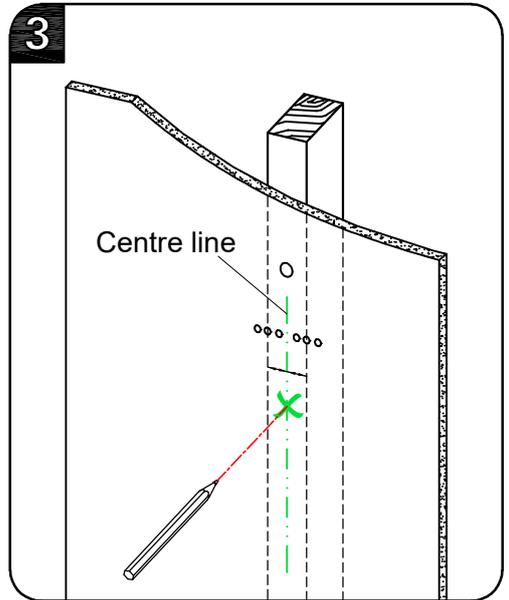
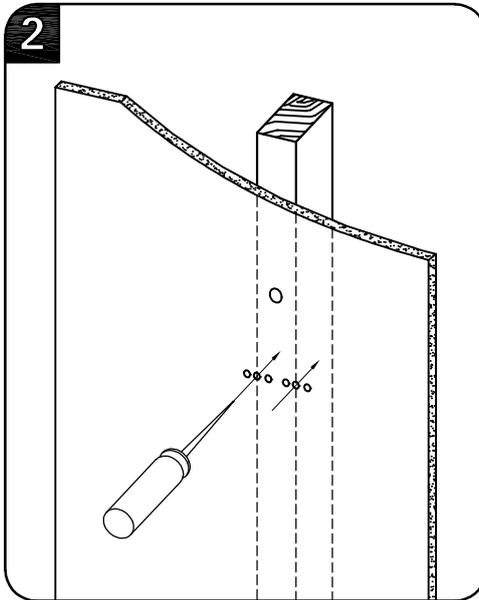
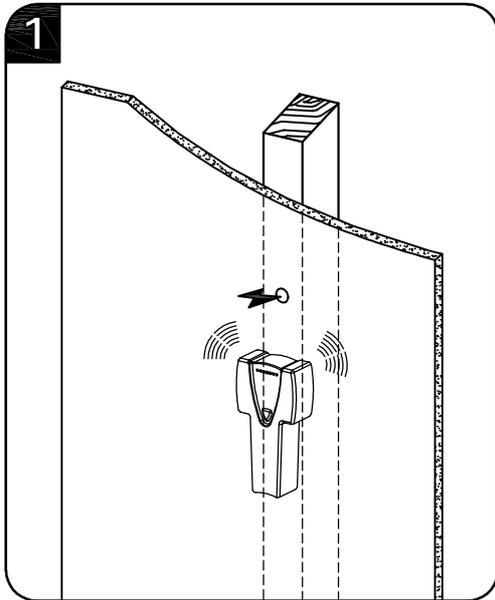
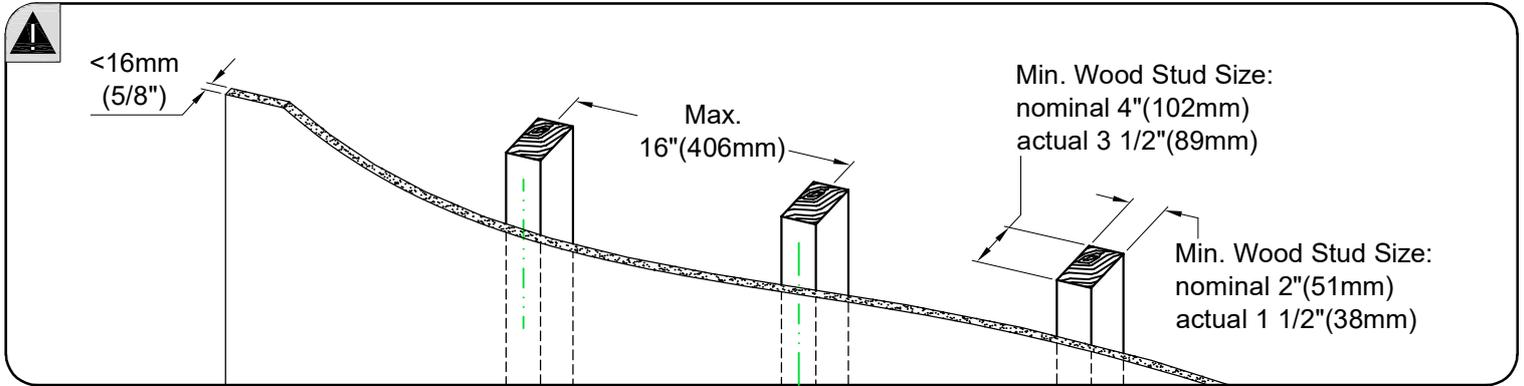
For wood stud installation, follow Option 1



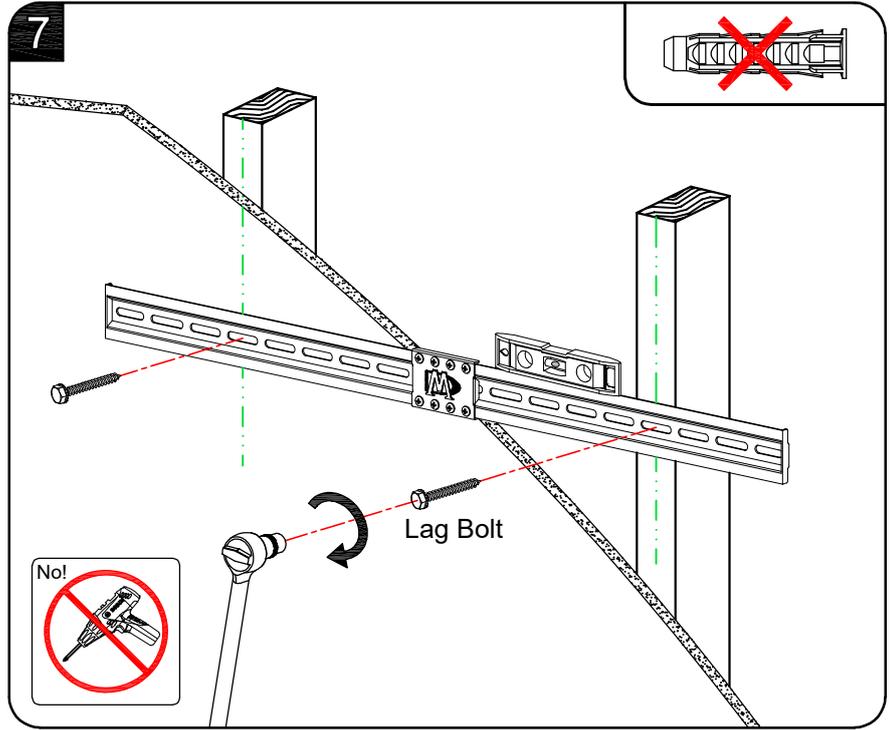
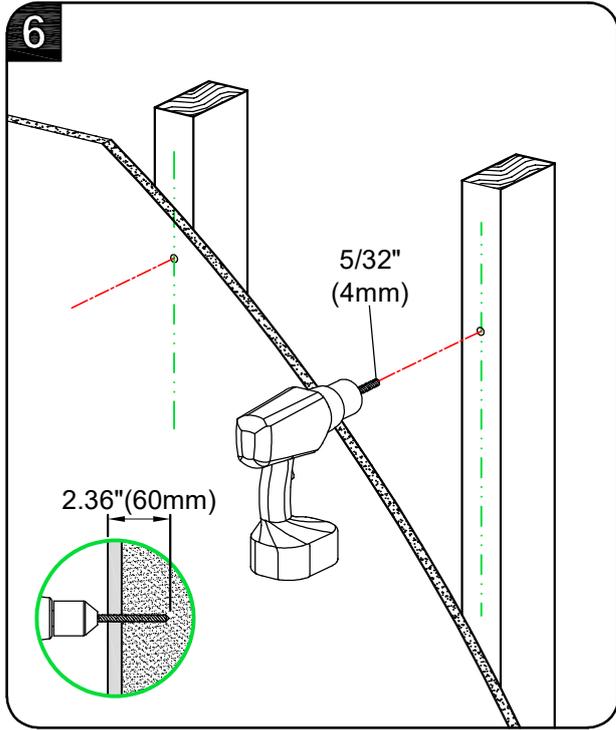
For concrete installation, follow Option 2 on PAGE 7

Option 1

Wood Stud Installation



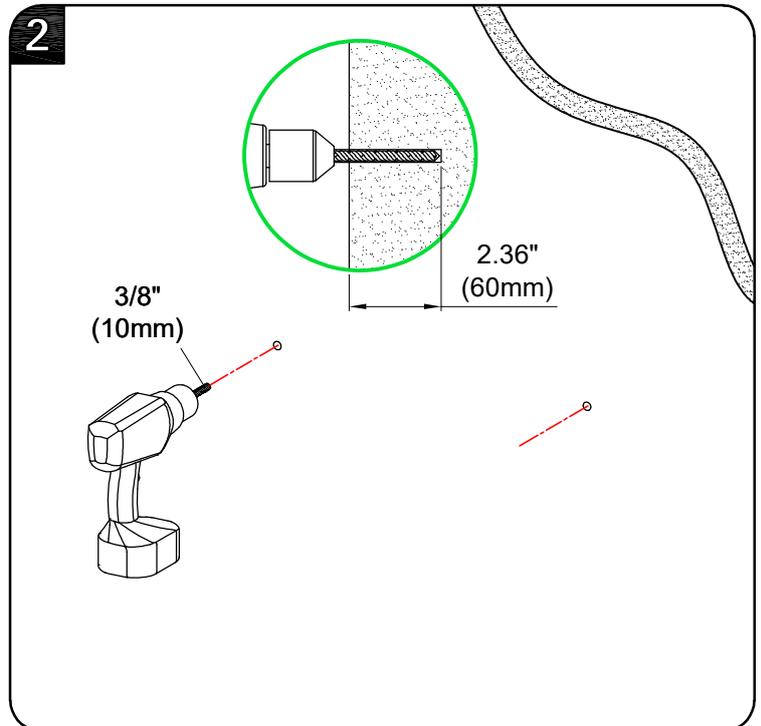
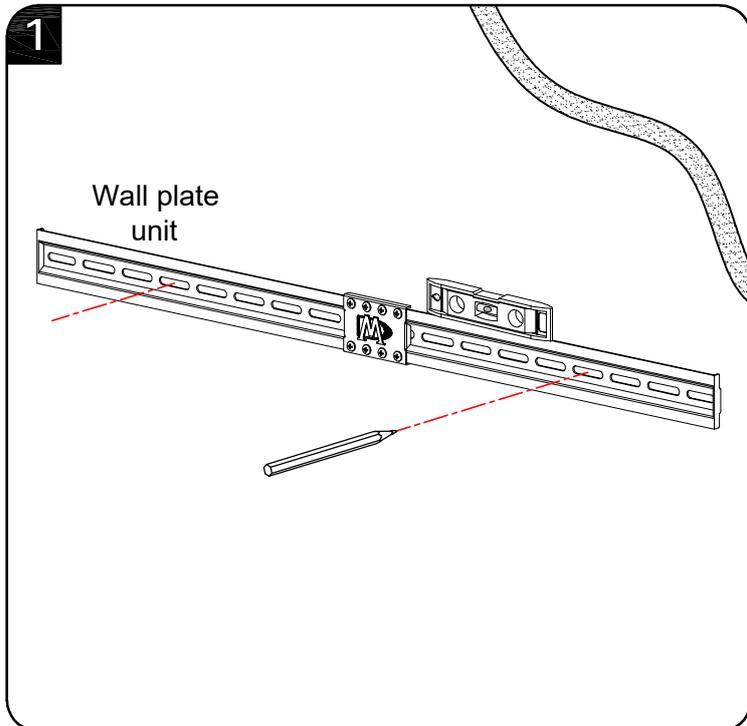
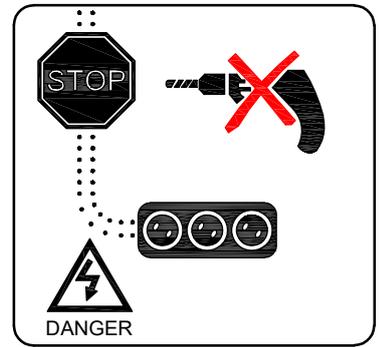
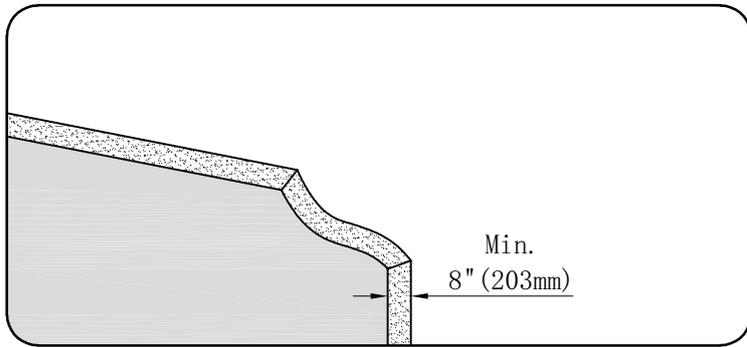
⚠ CAUTION: To avoid potential personal injury or property damage:
 All 2 lag bolts **MUST BE** firmly tightened to prevent unwanted movement of the wall plate assembly. Ensure the wall plate assembly is securely fastened to the wall before continuing on to the next step.



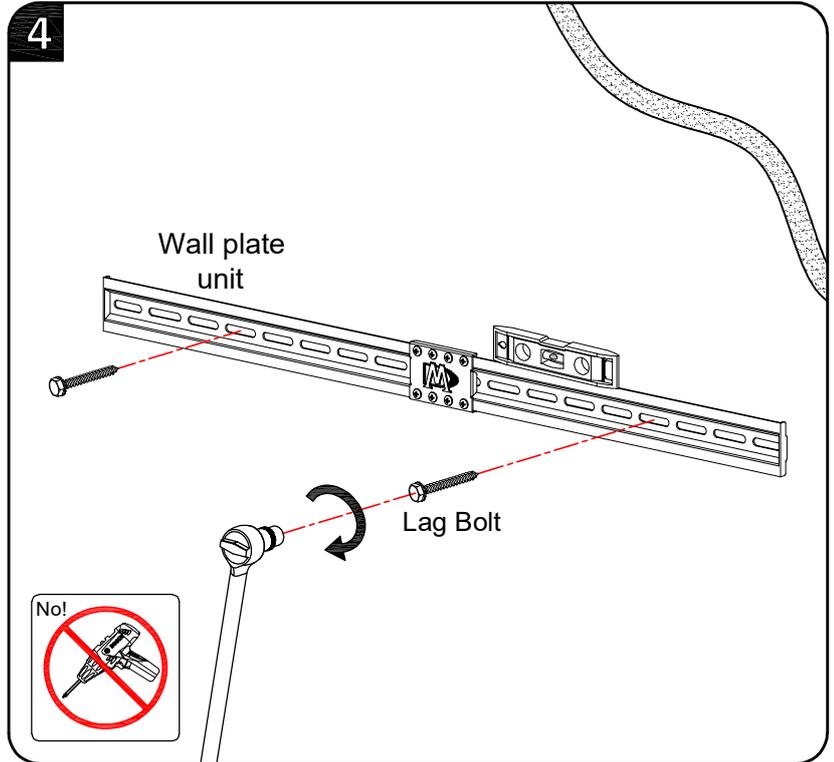
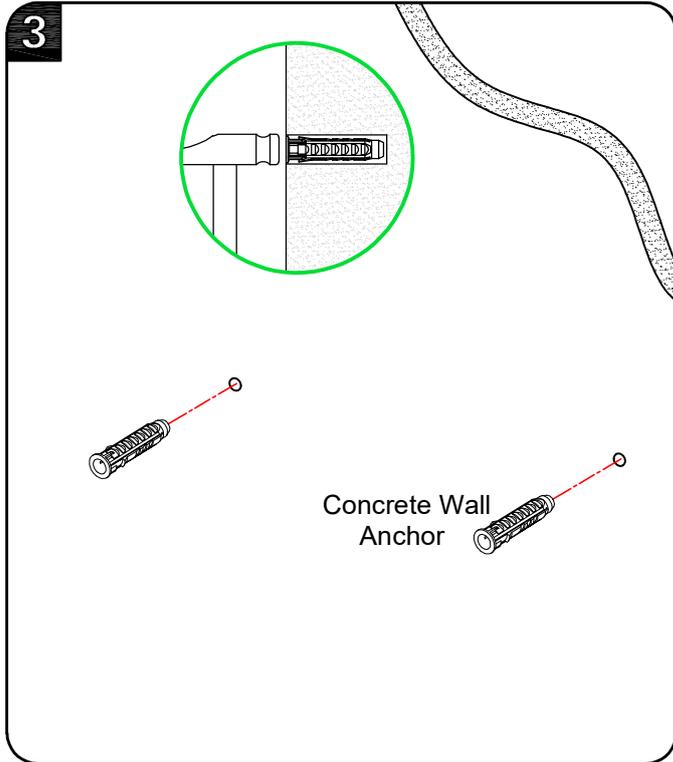
Go to Step 2A-5 2A-6 on PAGE 5.

Option 2

Solid Concrete Wall Installation



⚠ CAUTION: To avoid potential personal injury or property damage:
 All 2 lag bolts **MUST BE** firmly tightened to prevent unwanted movement of the wall plate assembly. Ensure the wall plate assembly is securely fastened to the wall before continuing on to the next step.



Go to Step 2A-5 2A-6 on PAGE 5.

Product dimensions:

