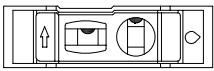
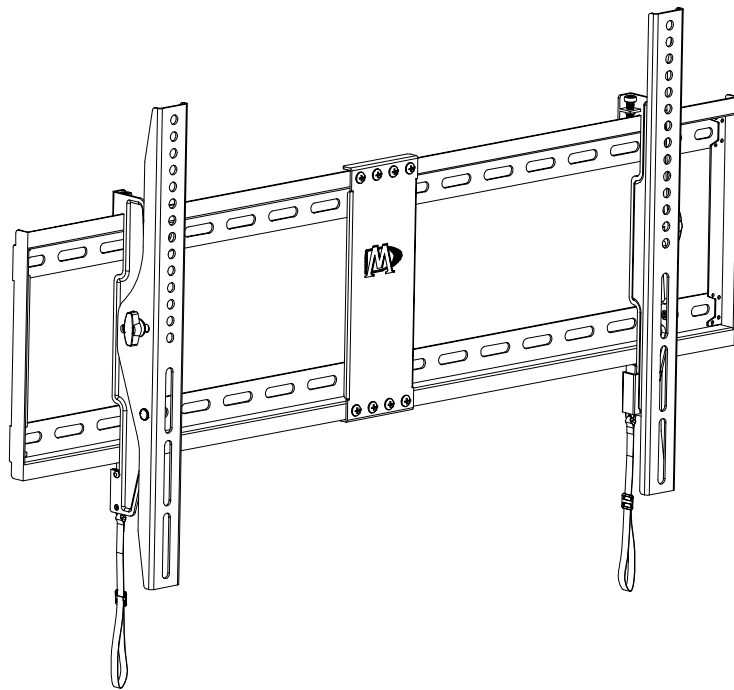
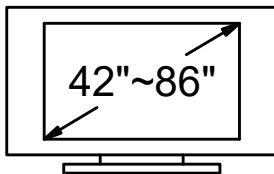


Mounting Dream

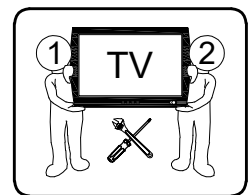
# MD2263-XLK INSTALLATION INSTRUCTION



x1



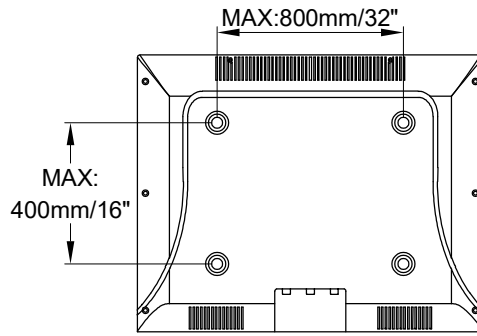
Max: 800x400mm/32x16"  
Min: 200x100mm/8x4"



(B2)

# Before getting started, let's make sure this mount is perfect for you!

**1** Is your TV VESA equal to/greater than 200x100mm/8x4" and equal to/less than 800x400mm/32x16"?



**Yes** --- Perfect!

**No** --- This mount is **NOT** compatible.

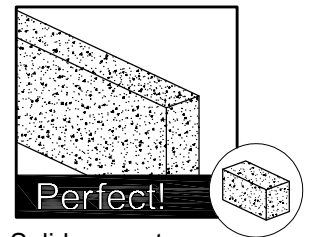
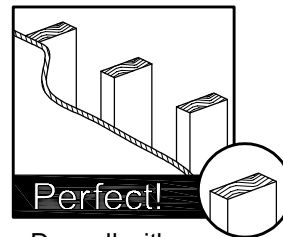
**2** Does your TV (including accessories) weigh less than 120 LBS (54.5 KG)?



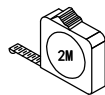
**Yes** --- Perfect!

**No** --- This mount is **NOT** compatible.

**3** What is your wall made of?



**4** Installation Tools (Not Included)



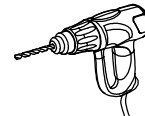
Band Tape



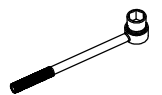
Pencil



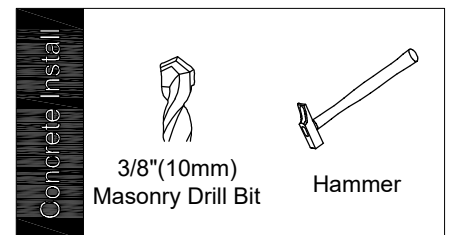
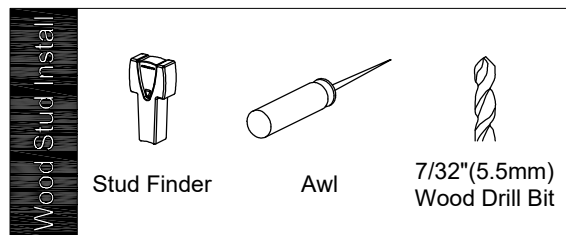
Screwdriver



Electrodrill



Socket Wrench  
1/2"(13mm)



**5** Safety Caution

Please read this instruction carefully before installation.

- This product is designed for use in wood stud and solid concrete wall.  
- DO NOT install into drywall alone.
- The wall must be capable of supporting five times the weight of the TV and mount combined.
- Do not apply this product to any purpose not indicated by Mounting Dream.
- Incorrect installation may result in product damage or body injury. Mounting Dream shall bear no responsibility for any damage or injury resulted from incorrect installation, incorrect assembly or misuse.

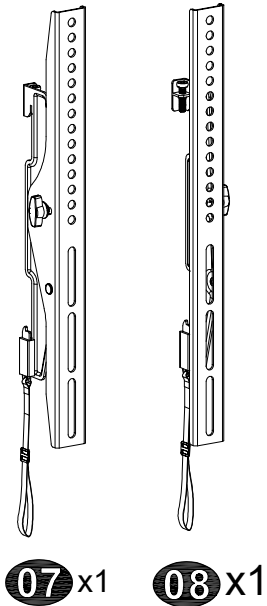
# STEP 1 Attach Brackets to TV

## Parts and Hardware

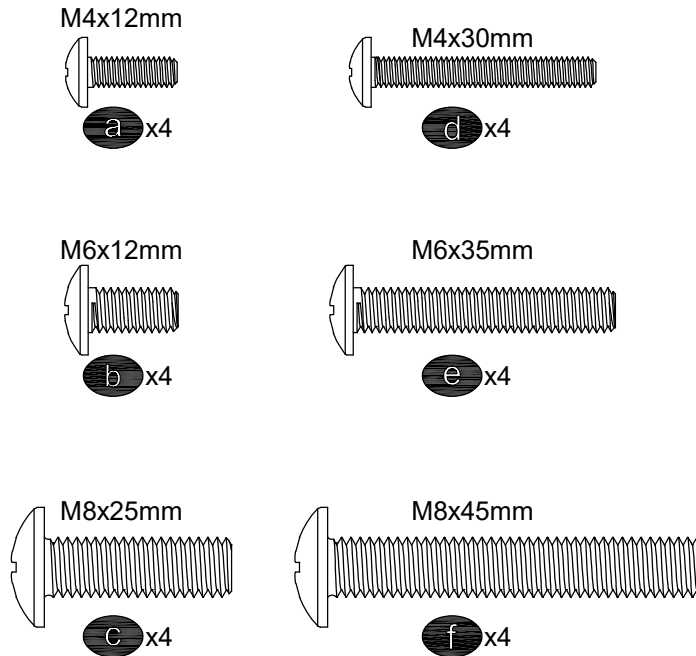
**⚠ WARNING:** This product contains small items that could be a choking hazard if swallowed. Before starting assembly, verify all parts are included and undamaged.

**NOTE:** Not all hardware included will be used.

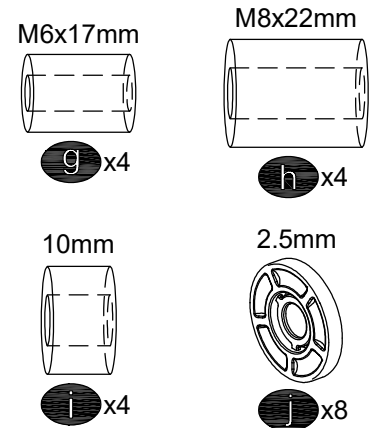
### TV Brackets



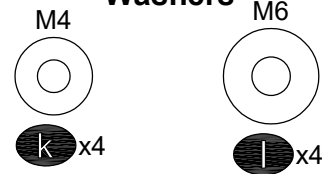
### TV Screws



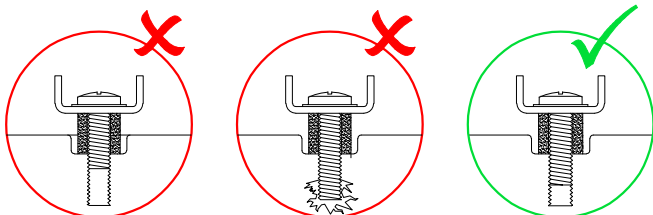
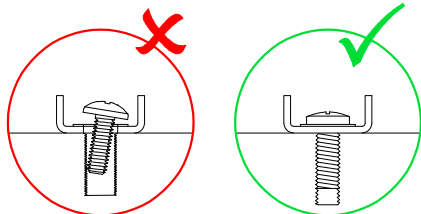
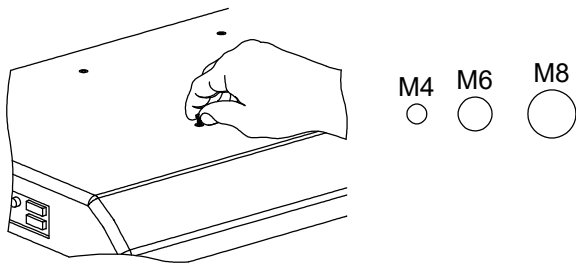
### Spacers



### Washers

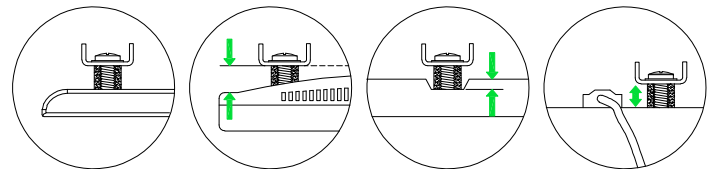
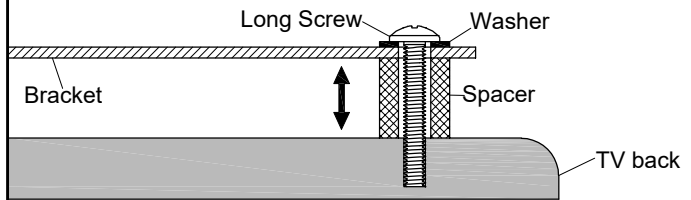


### 1-1 Select TV Screws



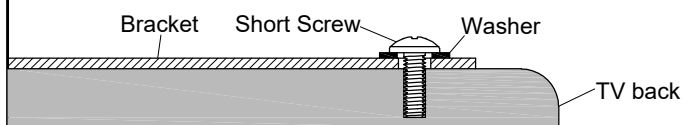
### 1-2 Need Spacer?

**I** Yes, go to PAGE 3 **I** for detailed combination.

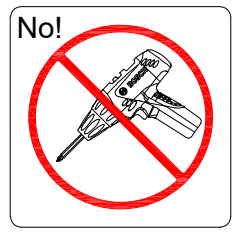
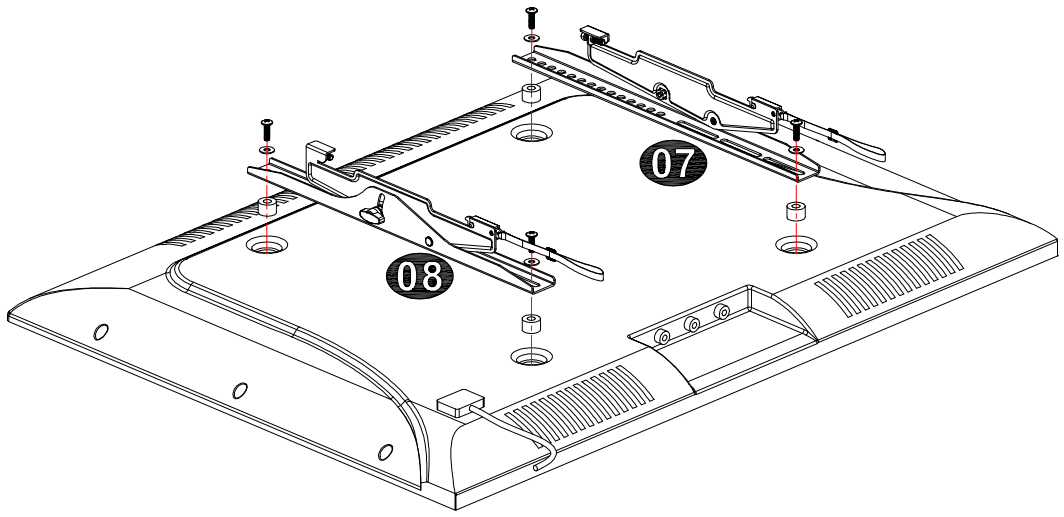


Highly recommended to add spacers for more spacing between wall mount and wall.

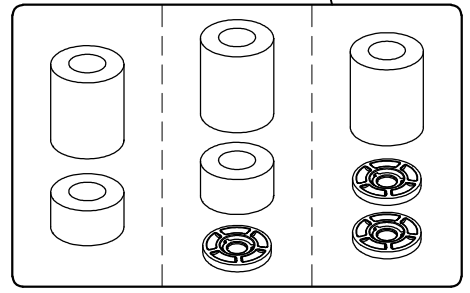
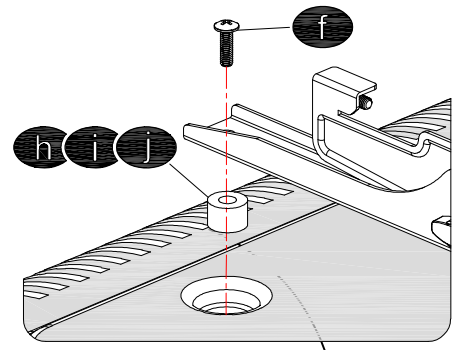
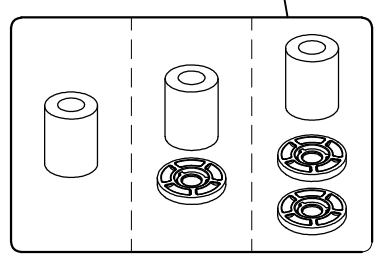
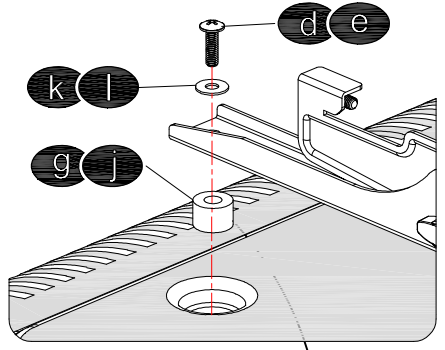
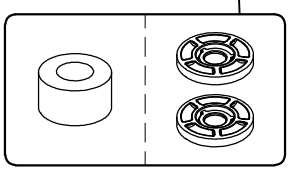
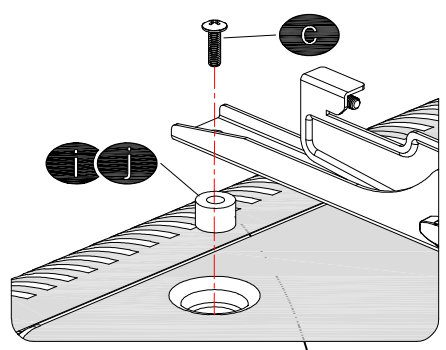
**II** No, go to PAGE 3 **II** for detailed combination.



# 1-3 Attach the TV Brackets

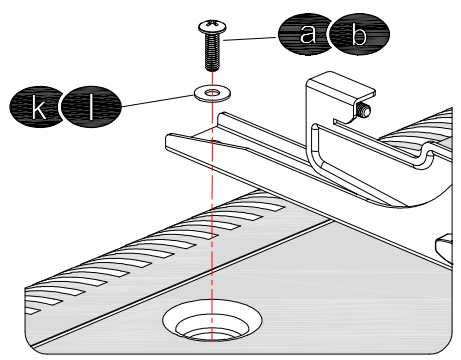


## I Spacer(s), screw and washer


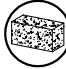


Tips: If you need to combine M6(e) or M8(c/f) screw with 2.5mm spacer(j), you have to remove the inner circle.

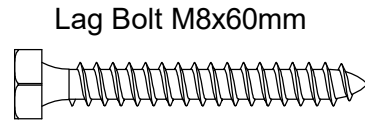
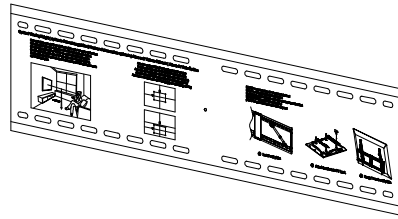
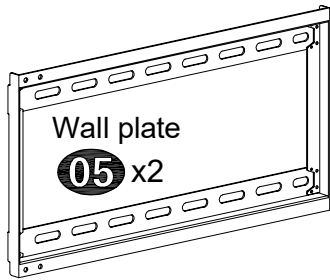
## II Screw and washer



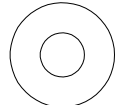
## STEP 2 Attach Wall Plate to Wall

-  For wood stud installation, follow STEP 2A
-  For concrete installation, follow STEP 2B on PAGE 6

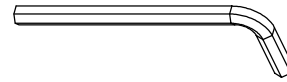
### Parts and Hardware



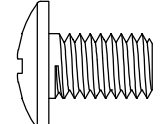
M8 Washer



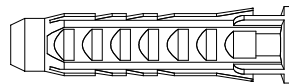
Allen Key



M5x8mm Bolt

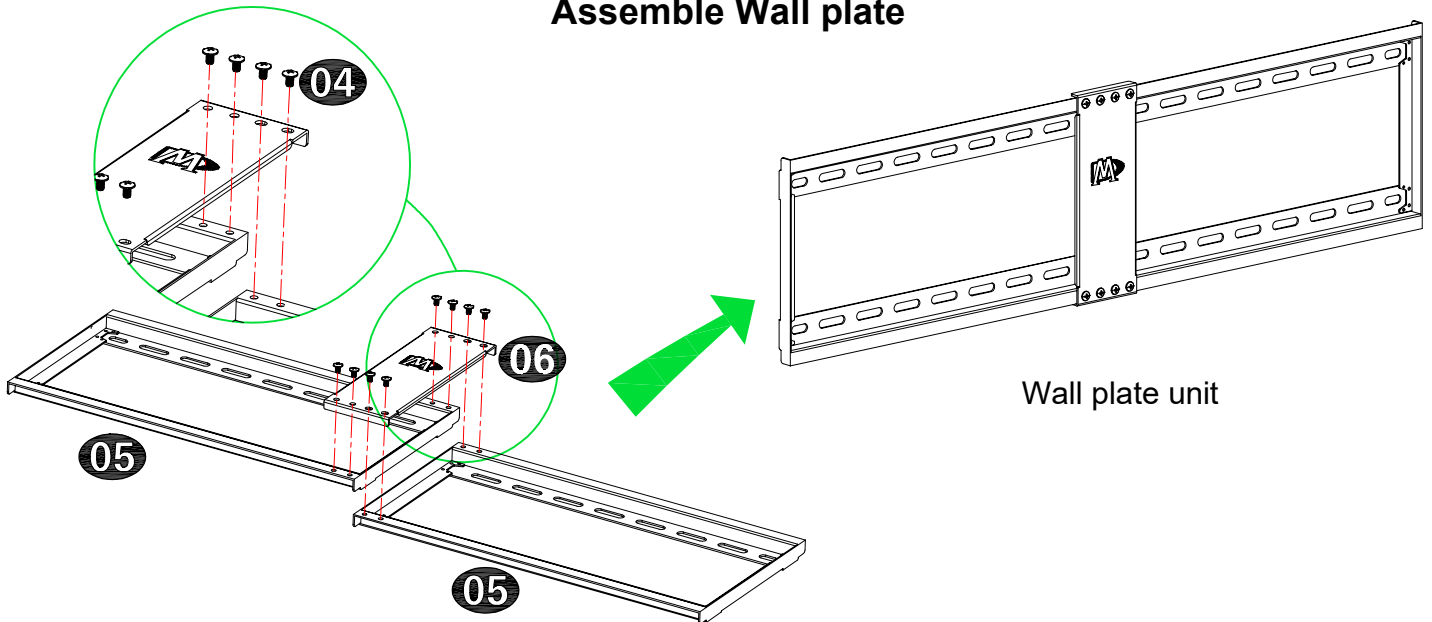


Concrete wall anchor (NOT INCLUDED)

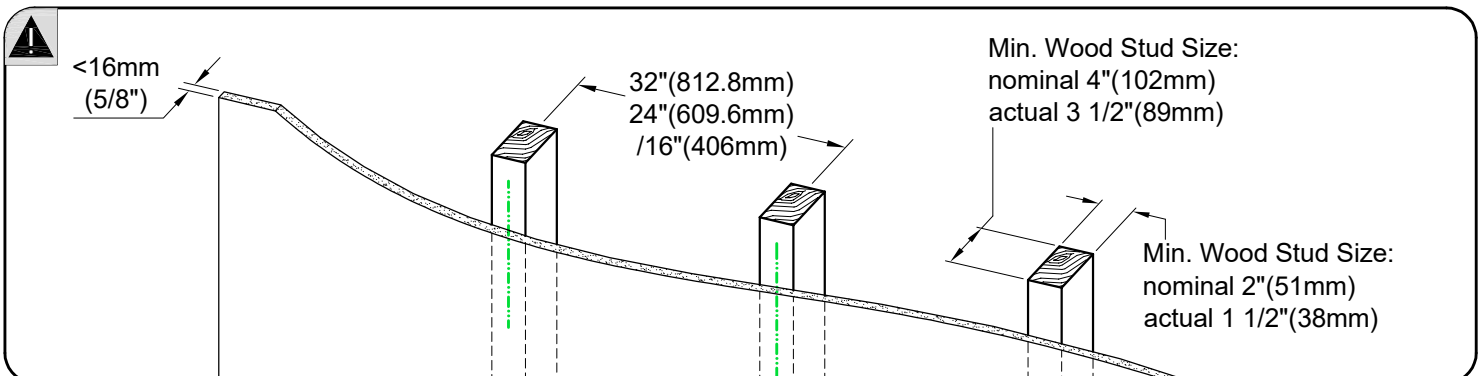


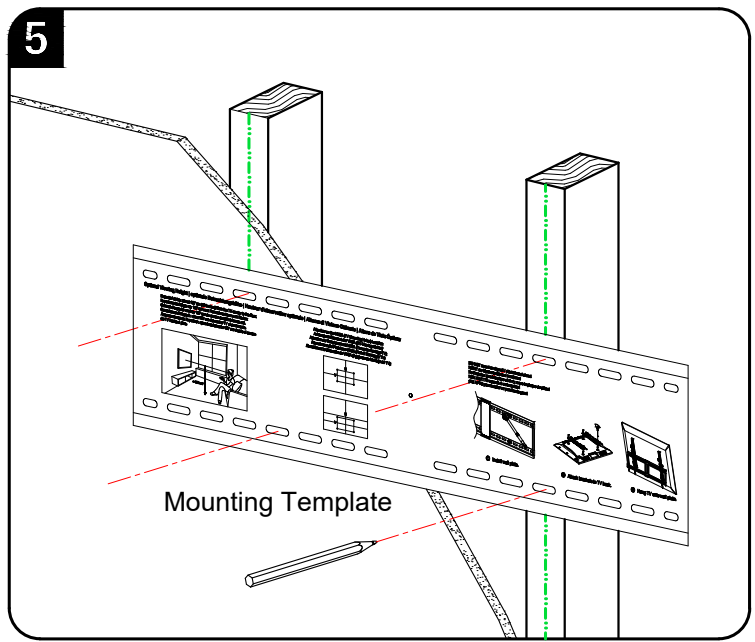
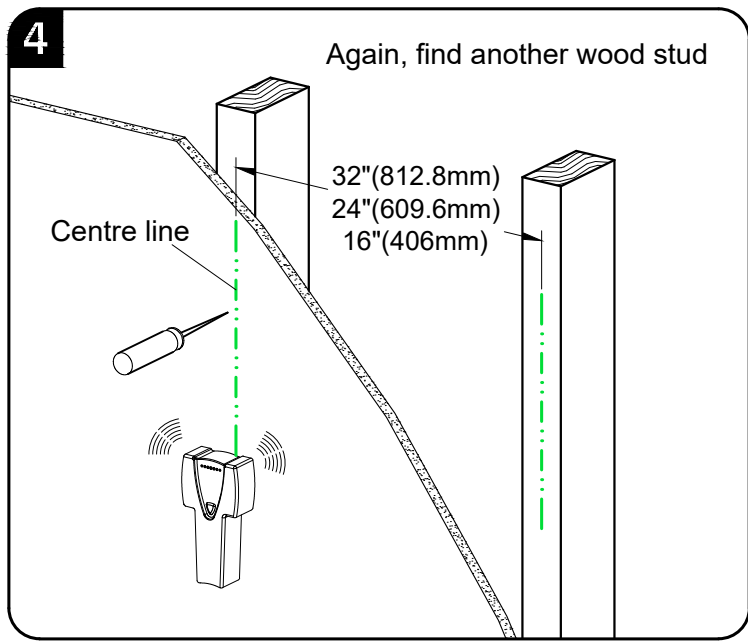
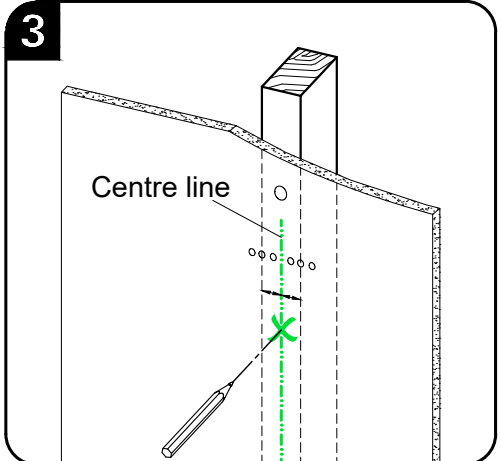
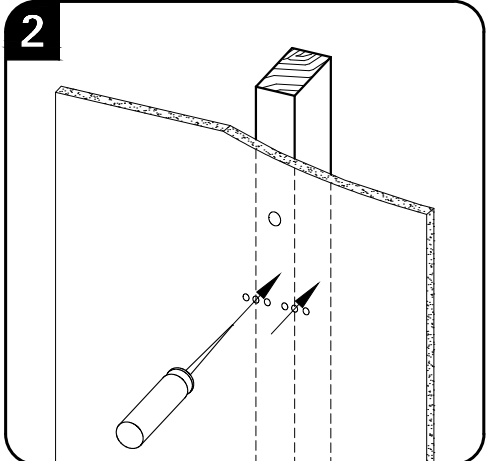
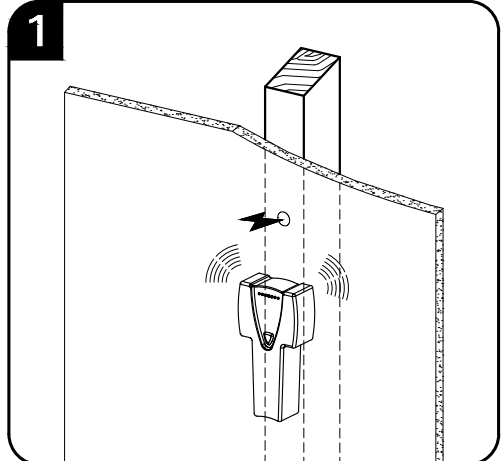
Concrete Wall Anchor  
4pcs

### Assemble Wall plate

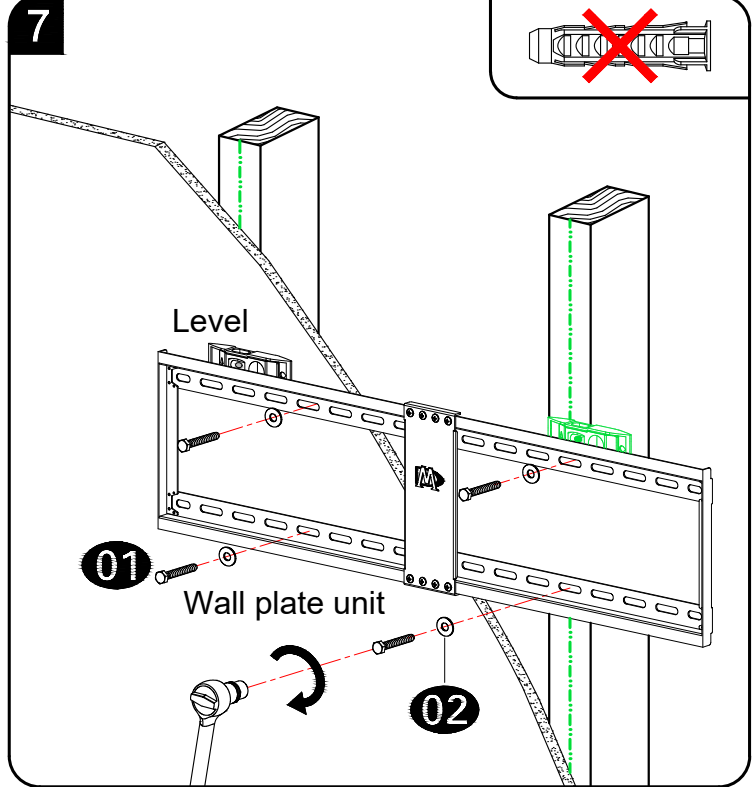
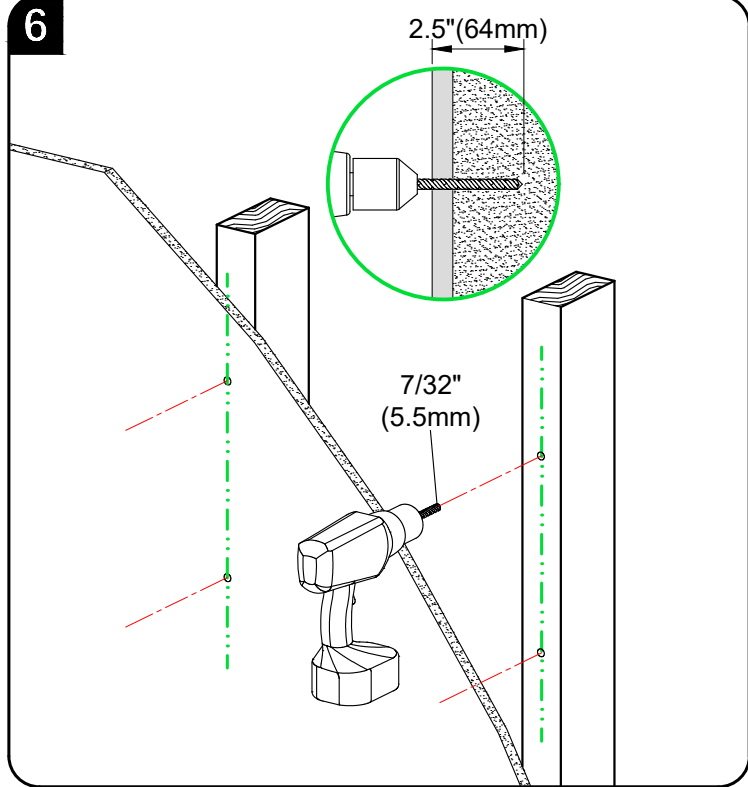


## STEP 2A Wood Stud Installations





**⚠ CAUTION:** To avoid potential personal injury or property damage:  
All 4 lag bolts **01** MUST BE firmly tightened to prevent unwanted movement of the wall plate assembly. Ensure the wall plate assembly is securely fastened to the wall before continuing on to the next step.

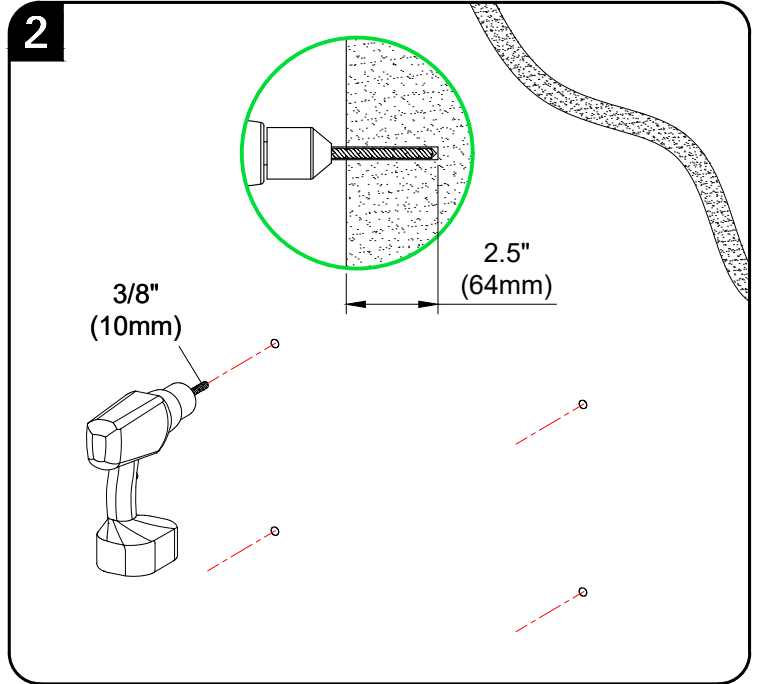
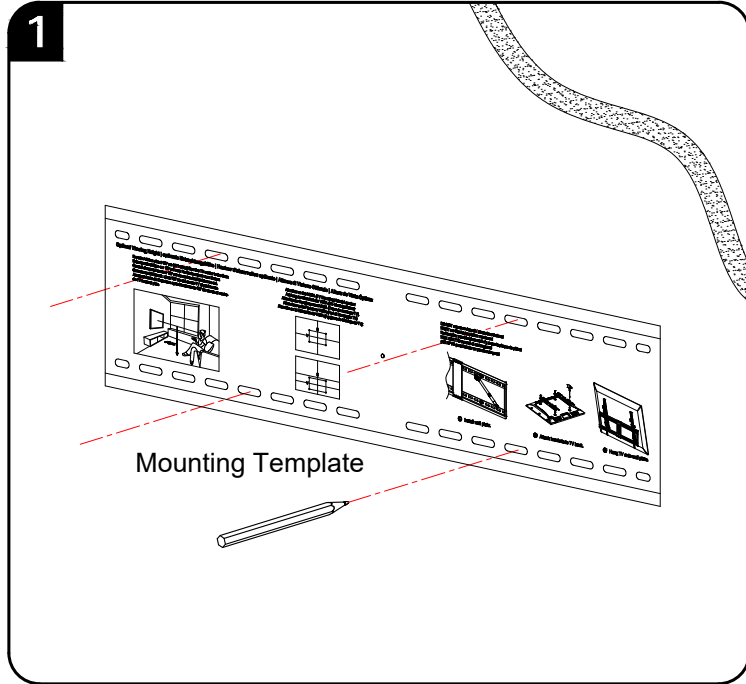
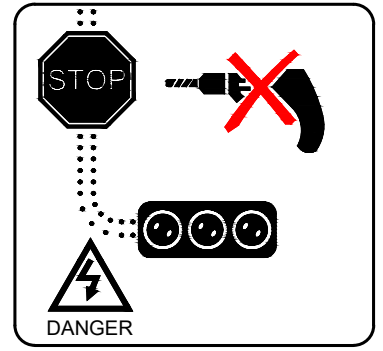
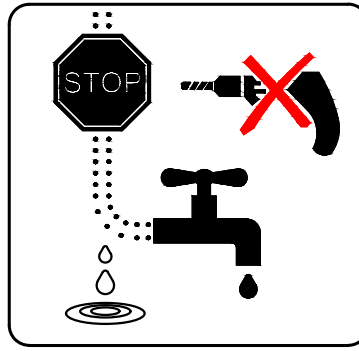
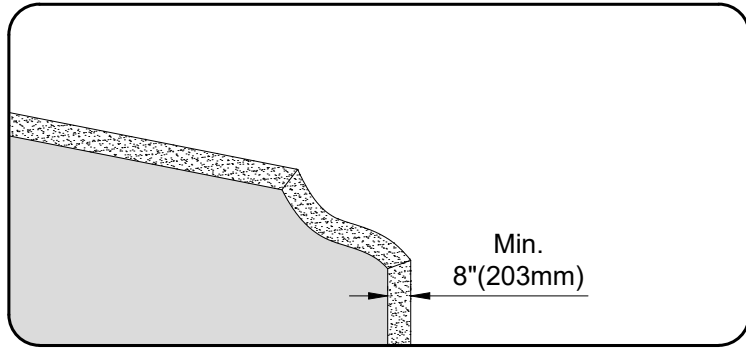


Go to Step 3 on PAGE 7.

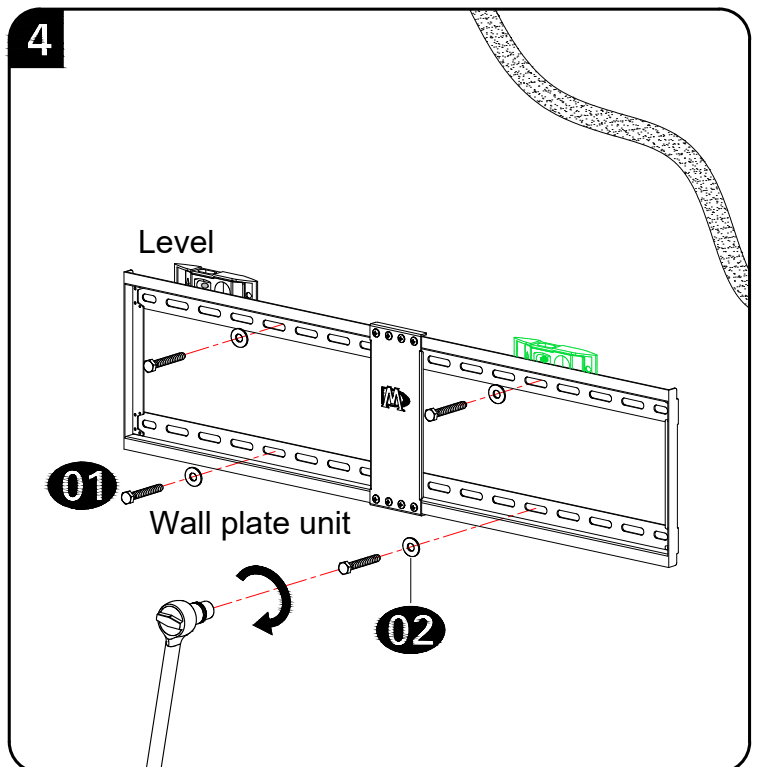
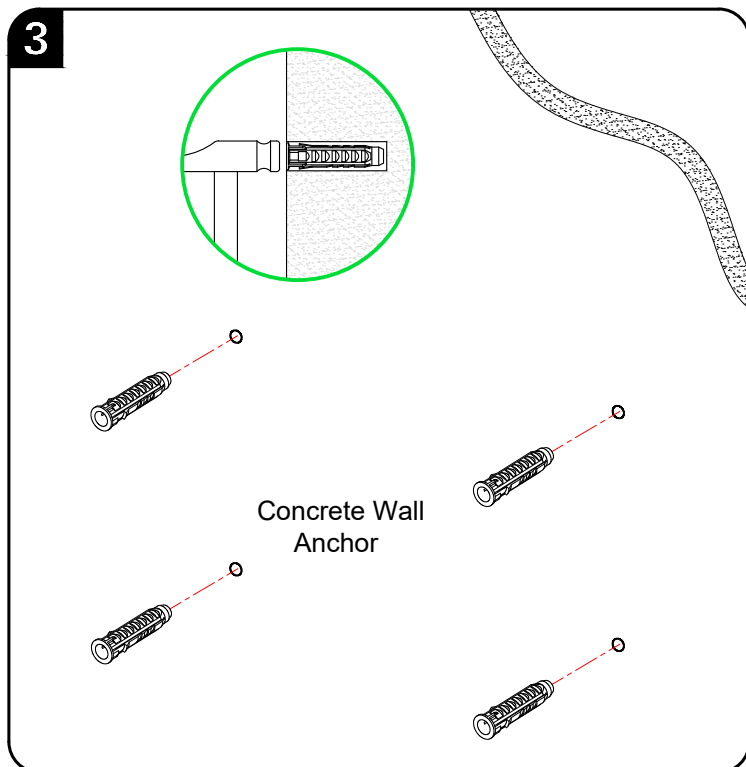


# STEP 2B

# Solid Concrete Wall Installation

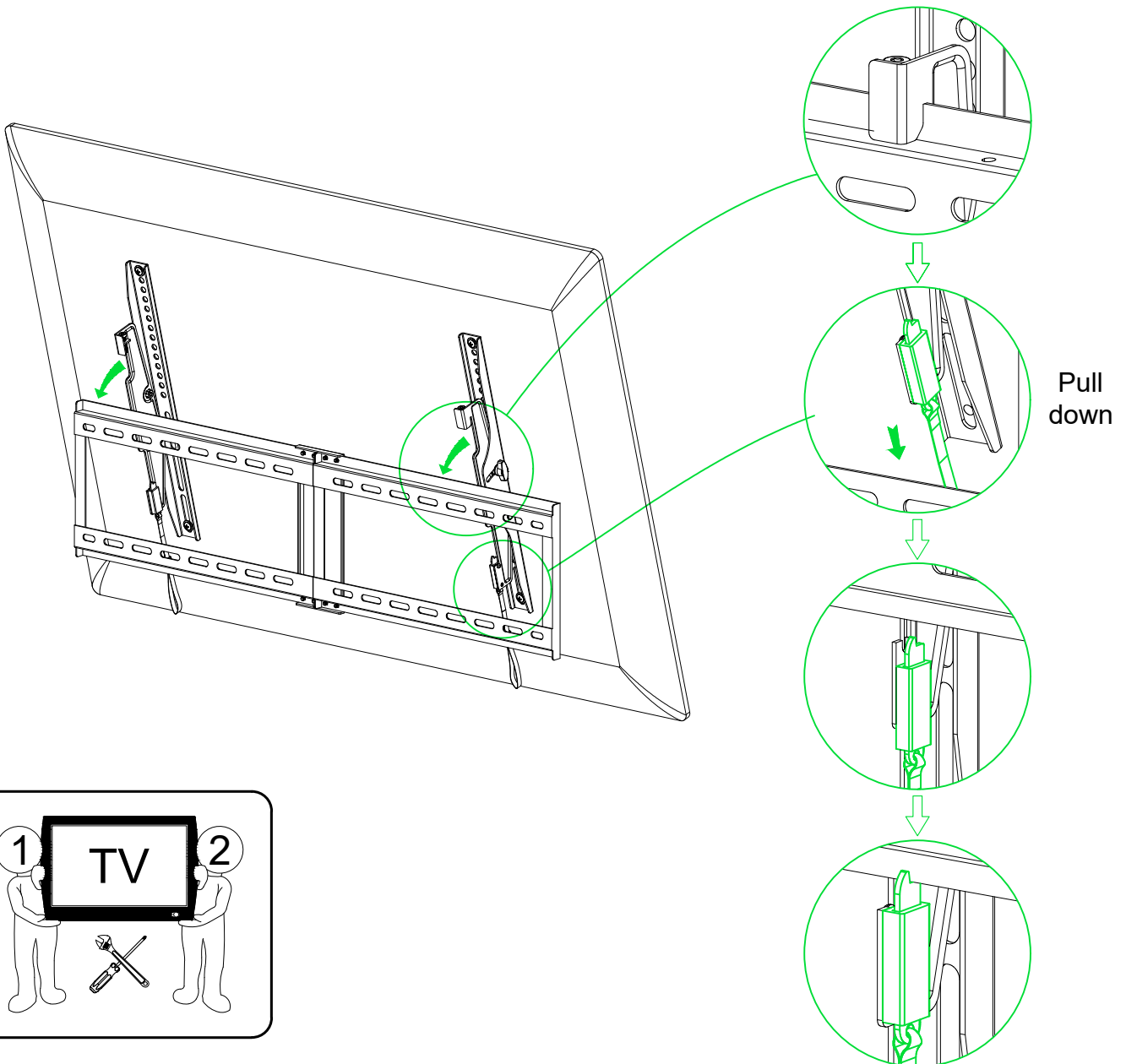
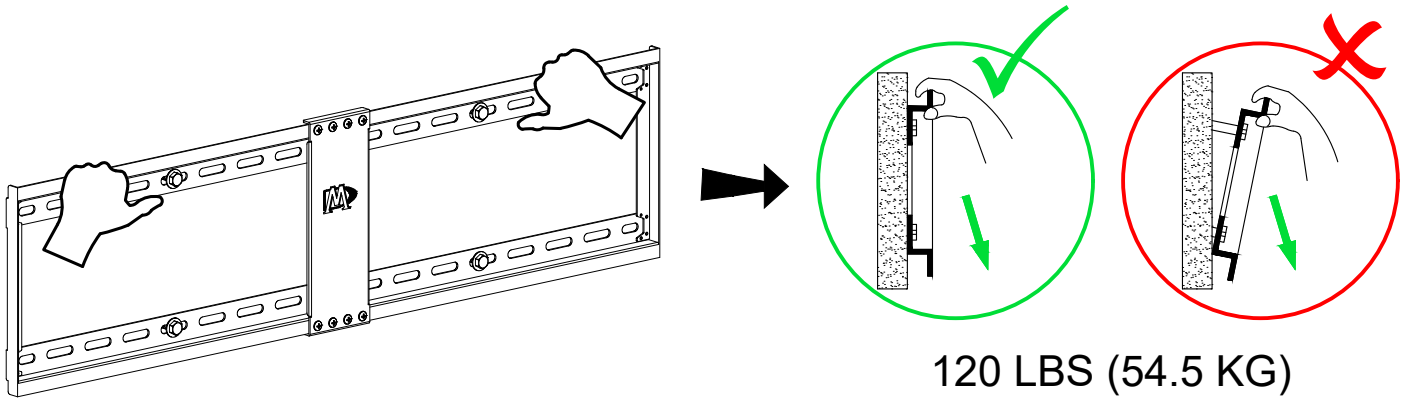


**CAUTION:** To avoid potential personal injury or property damage:  
All 4 lag bolts **01** MUST BE firmly tightened to prevent unwanted movement of the wall plate assembly. Ensure the wall plate assembly is securely fastened to the wall before continuing on to the next step.



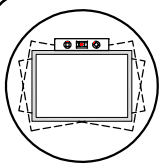
# STEP 3 Hang and Secure TV to Wall Plate

Before hanging TV, please conduct "wall plate installation integrity test" first.



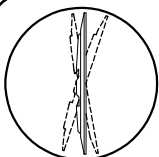
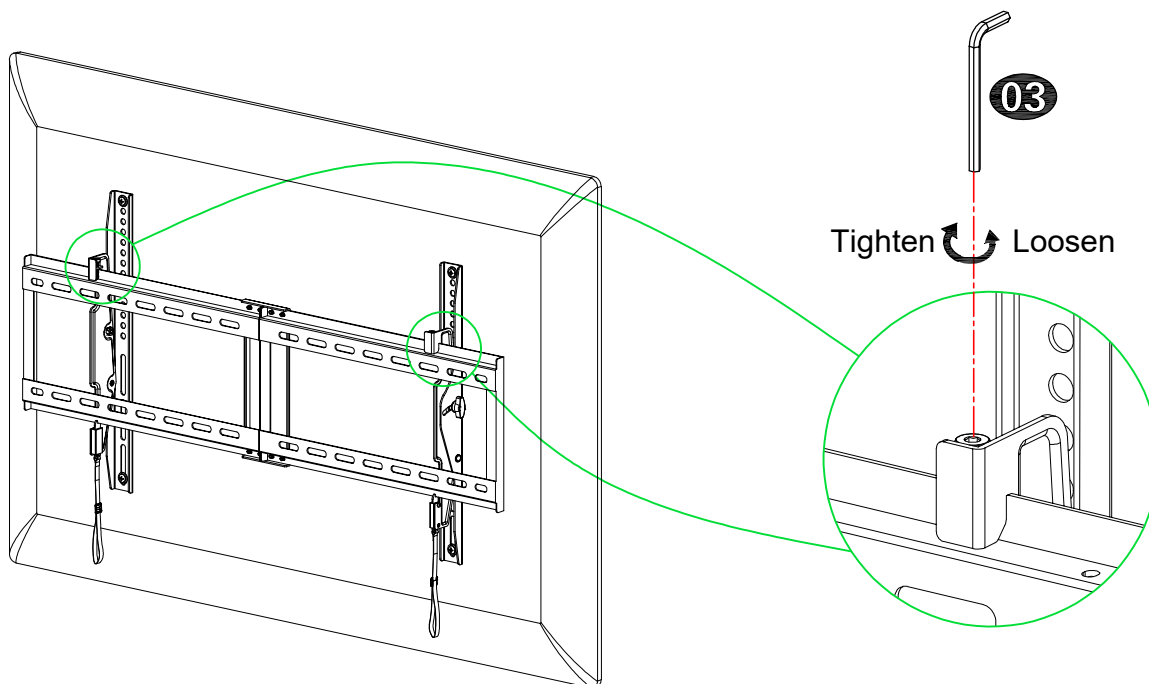


## STEP 4 Adjustment



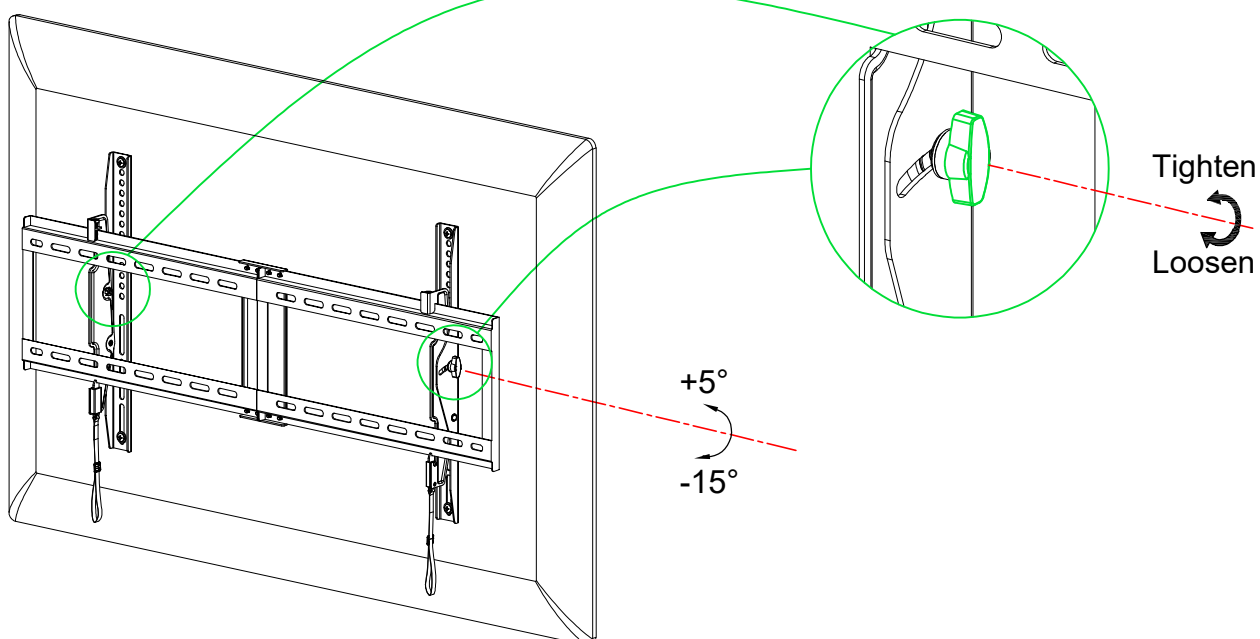
4-1 TV leveling adjustment ( $\pm 1^\circ$ ):

Loosen 2 leveling bolts on the rear of TV plate by maximum 2 turns, adjust to level, and retighten to secure.

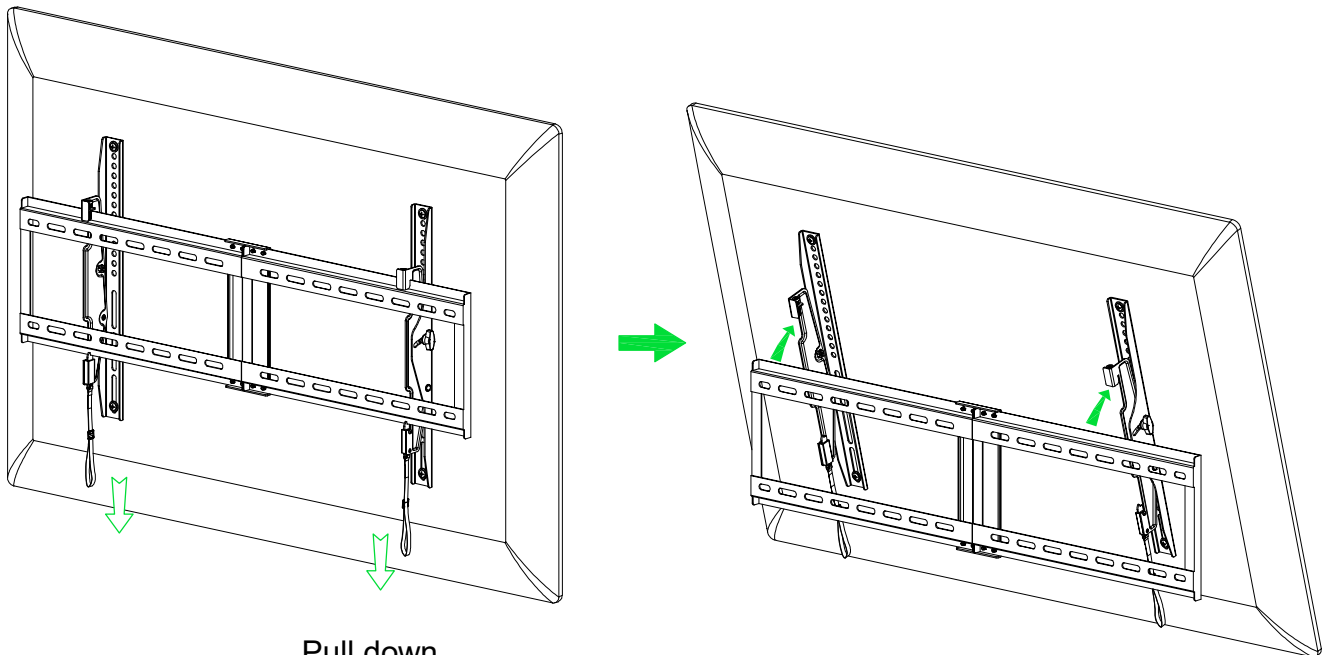


4-2 Tilting angle adjustment ( $+5^\circ/-15^\circ$ ):

Loosen handle , adjust TV to your desired position, then tighten handle .



## STEP 5 Take Down the TV from the Mount



Pull down  
the straps

## Product dimensions:

