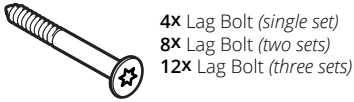
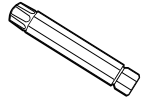


# OVERHEAD BIN STORAGE **KOOVA**<sup>®</sup>

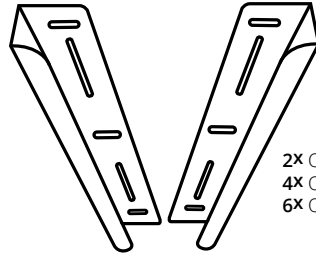
## INSTALLATION INSTRUCTIONS v1.0



4x Lag Bolt (single set)  
8x Lag Bolt (two sets)  
12x Lag Bolt (three sets)



1x T30 Bit



2x Overhead Bin Frames (single set)  
4x Overhead Bin Frames (two sets)  
6x Overhead Bin Frames (three sets)

### TOOLS NEEDED

- Drill
- Stud finder (recommended)
- Pencil for marking mount location

**WARNING!** The Koova Overhead Bin Storage Frames must be installed directly into the ceiling joists for maximum protection. Failure to mount the Koova System directly into the ceiling joists may result in serious bodily injury and/or property damage as a result of the Koova System falling from the installed location.

All necessary precautions should be taken when using a drill to ensure that no electrical wires are located where you are drilling. Failing to ensure that no wiring exists at the point of drilling can lead to serious bodily injury and property damage.

Only use the hardware provided for installation as the Koova Overhead Storage System has been specifically designed to be used with the provided hardware for maximum safety and use of the product.

The Koova Overhead Storage System has been tested for use with reinforced lip 27 gallon storage containers. It has not been tested for use with other storage containers.

It is highly recommended that two people perform this installation. This is to ensure proper support of the Koova System while installing the product and to protect from serious bodily injury.

### MOUNTING TYPE 1 PERPENDICULAR WITH STUDS ON 24" CENTERS

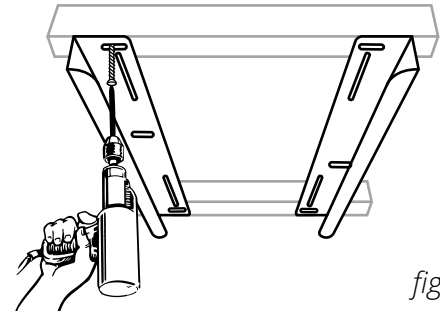


figure a

### MOUNTING TYPE 2 PERPENDICULAR WITH STUDS ON 16" CENTERS

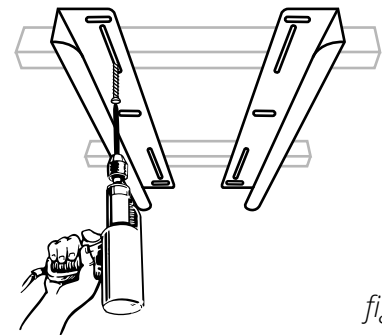


figure b

### MOUNTING TYPE 3 PARALLEL WITH STUDS ON 16" CENTERS

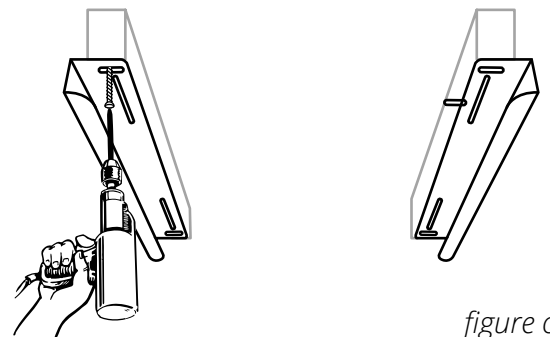


figure c

## 1. IDENTIFY YOUR MOUNT TYPE

There are three ways to install the overhead bin storage system, depending on the kind of ceiling joists/studs you have. You may need to use a stud finder to identify which setup you will need.

**TYPE 1** - Use TYPE 1 if you are mounting perpendicularly on a ceiling with joists that have 24" centers (*figure a*).

**TYPE 2** - Use TYPE 2 if you are mounting perpendicularly on a ceiling with joists that have 16" centers (*figure b*).

**TYPE 3** - Use TYPE 3 if you are mounting parallel to ceiling joists with 16" centers (*figure c*).

### NO STUD FINDER?

If you do not have a stud finder, please review the information located at <https://koova.com/pages/product-support> for safe alternatives to using a stud finder.

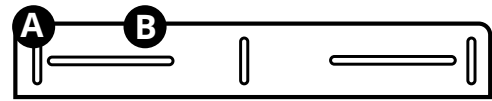
## 2. MOUNT ONE SIDE OF THE FRAME

Using a lag bolt, screw one of the two frames into your ceiling. Use the mounting points indicated below based on the mount type identified earlier (*figure d*).

For mounting TYPE 1, use MOUNT POINT A to screw the frame into the joists.

For mounting TYPE 2, use MOUNT POINT B to screw the frame into the joists.

For mounting TYPE 3, use MOUNT POINT A to screw the frame into the joists.



*figure d*



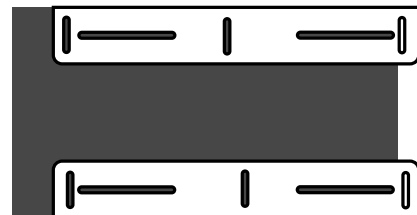
*figure e*

## 3. SLIDE THE BIN TOP INTO THE SINGLE MOUNTED FRAME

To determine the proper mounting distance, slide the organizing bin lid into the mounted frame (*figure e*).

## 4. SLIDE THE SECOND METAL FRAME INTO THE BIN LID AND MARK

Slide the second metal frame into the bin top and use a pencil to mark the location of the mount points (*figure f*).



*figure f*

## 5. REMOVE BIN LID AND INSTALL SINGLE SCREW IN SECOND FRAME

Remove the lid of the storage bin and screw a single screw into one of the mount points.

## 6. SQUARE THE FRAME WITH A LEVEL OR WITH THE LID

Using a level or the storage bin lid, make sure the two frames are square and the same distance apart. This is particularly important if you are using mounting TYPE 2.

## 7. SCREW IN REMAINING INSTALLATION HOLES

Using lag bolts, screw in the second frame. If using mounting TYPE 1 or TYPE 3, the frames can be moved slightly to the left or right to adjust the fit.

## 8. TEST WITH AN EMPTY STORAGE BIN

Place an empty storage bin into the installed system to verify that the frames are spaced properly.

## KOOVA HELPS YOU PUT EVERYTHING IN ITS PLACE!



GOLF BAG ORGANIZATION



GARDEN & GARAGE ORGANIZATION



TOOL ORGANIZATION



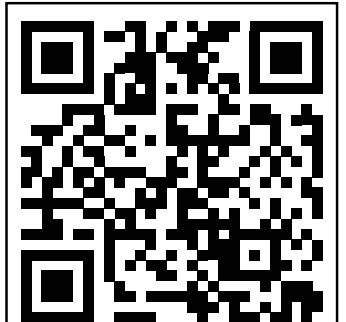
SKATEBOARD ORGANIZATION



HOME ORGANIZATION



HOME OFFICE ORGANIZATION



SHOP **KOOVA.COM**  
FOR OTHER GREAT  
ORGANIZATIONAL  
SOLUTIONS