



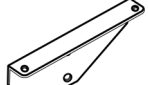
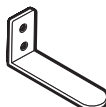

GOLF BAG RACK

INSTALLATION INSTRUCTIONS

v5.0



-  4x Deep Thread Screws
(8x for Two Bag Rack)
-  4x Countersunk Washers
(8x for Two Bag Rack)
-  2x Koova Screw
(4x for Two Bag Rack)
-  4x Nylon Washer
(8x for Two Bag Rack)
-  2x Black Lock Nut
(4x for Two Bag Rack)

-  4x Screw Caps
(8x for Two Bag Rack)
-  2x Bag Claws
(4x for Two Bag Rack)
-  1x Top Bracket
(2x for Two Bag Rack)
-  1x Bottom Bracket
(2x for Two Bag Rack)
-  2x Bungee Cords
(4x for Two Bag Rack)

- | TOOLS NEEDED | |
|--------------|-----------------------------------|
| • | Phillips head screwdriver |
| • | Stud finder (recommended) |
| • | Pencil for marking mount location |
| • | Measuring Tape or Yard Stick |
| • | 7/16 Wrench |



INSTALLATION WARNING



Read all instructions prior to starting. Wear safety glasses if using power tools. Use only included hardware and components.

To safely support the weight of your golf bag, ensure that the included deep thread screws are securely installed into wood studs. Failure to mount the golf bag rack in studs may result in damage to property and/or personal injury.

If you are installing this product on masonry walls, you will need hardware specific for this use. Please contact us to obtain a masonry installation kit at support@koova.com.

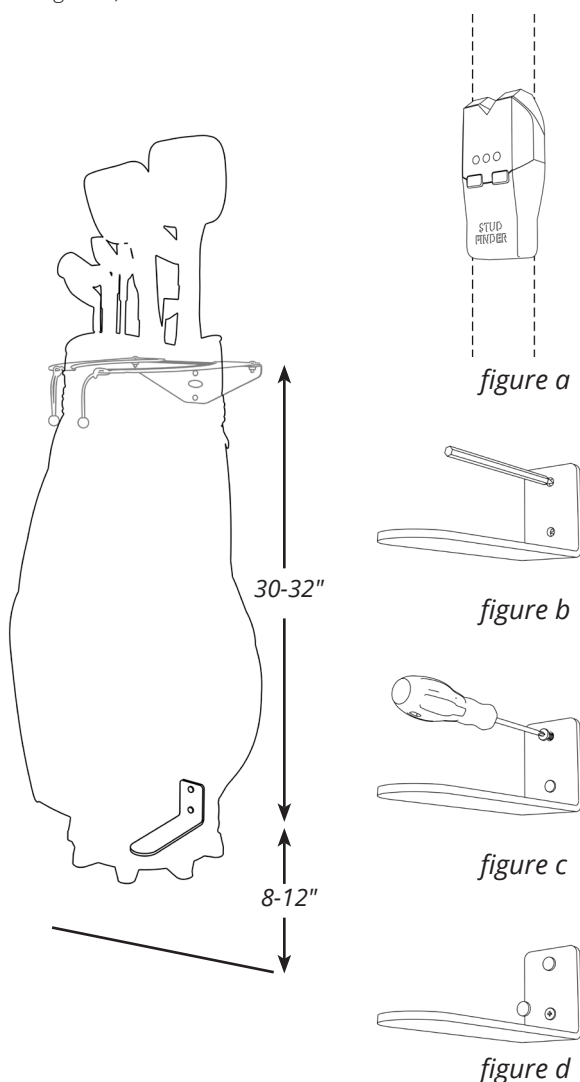
Do not exceed the maximum weight limit for this product which is an evenly distributed 100 pounds.



Ensure that no electrical wires are located where you are using deep thread screws. Failing to ensure that no wiring exists where screws are inserted into a wall can lead to serious bodily injury, property damage or electrocution.

STEP ONE: MOUNT BOTTOM BRACKET

- Locate a wood stud and mark its location (figure a).
- Determine the bag height from the floor and mark the wall (figure b). We recommend 8-12"
- Place a countersunk washer on a deep thread screw and screw into the stud using a philips head screwdriver or electric drill driver (figure c). Repeat with second hole.
- Snap the screw covers onto the countersunk washer (figure d).



NO STUD FINDER?

If you do not have a stud finder, please visit <https://koova.com/pages/product-support> for safe alternatives to using a stud finder.



NEED ASSISTANCE?
Contact us at support@koova.com or at koova.com

STEP TWO: MOUNTING TOP BRACKET

- Determine the top bracket height by measuring the length of your bag from the bottom bracket and mark the wall (figure f) Usually 30-32"
- Place a countersunk washer on a deep thread screw and screw into the stud where marked using a philips head screwdriver or electric drill driver (figure g). Repeat with second hole.
- Snap the screw covers onto the countersunk washer.

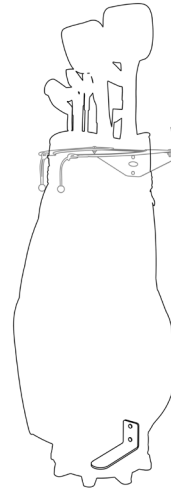


figure f

STEP THREE: ASSEMBLE BAG CLAWS

- Insert a Koova screw through the top hole of the claw arm as shown. Place a washer on the screw and insert into the top bracket.
- Place a second washer on the screw and fasten with a black nut.
- Repeat with second claw arm.
- Thread bungee cord through the claw arm as shown (figure e).
- To secure your golf bag, stretch the bungee cords from the claw arms to the claw arm hook on the opposite claw arm.

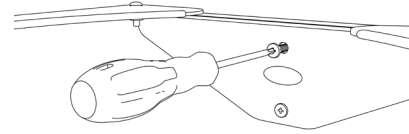


figure g

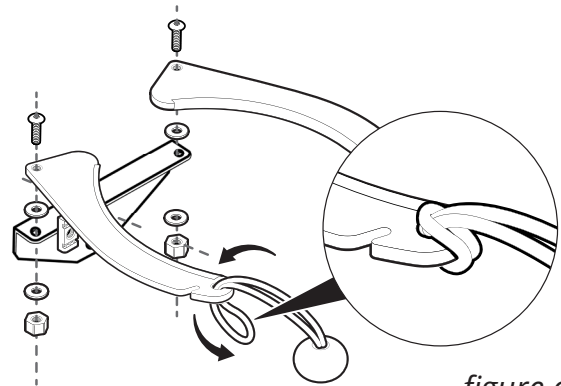


figure e

KOOVA HELPS YOU PUT EVERYTHING IN ITS PLACE!



BIKE STORAGE & ORGANIZATION



GARDEN & GARAGE ORGANIZATION



TOOL ORGANIZATION



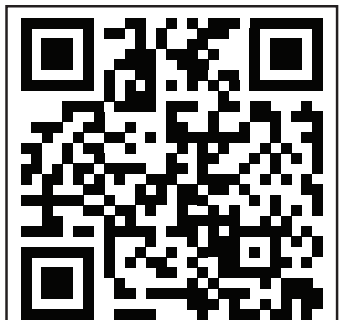
SKATEBOARD ORGANIZATION



HOME ORGANIZATION



GARDEN TOOL ORGANIZATION



SHOP
KOOVA.COM
FOR OTHER
GREAT
ORGANIZATIONAL
SOLUTIONS