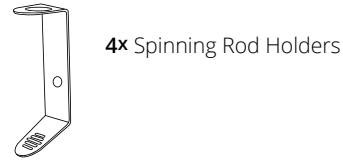
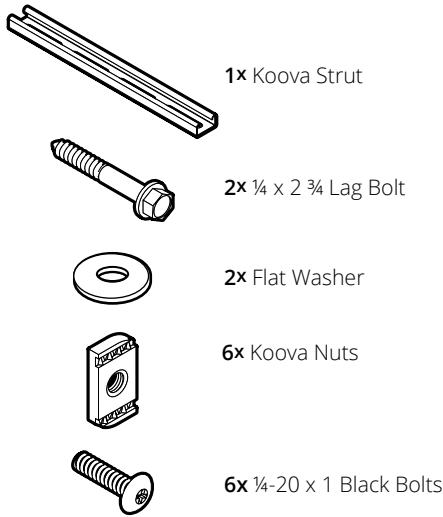


# FISHING ROD RACK KOOVA

## MIXED ROD RACK INSTALLATION INSTRUCTIONS v1.0



### TOOLS NEEDED

- Socket wrench with 5/16" socket
- Phillips head screwdriver
- Stud finder (recommended)
- Pencil for marking mount location

*If the mounting wall requires masonry hardware, email us at [support@koova.com](mailto:support@koova.com) and we will get some sent to you!*

### INSTALLATION WARNING

To safely support the weight of your rods, ensure that the Koova Lag Bolts are installed into studs. Failure to mount the Koova System in studs may result in damage to property and/or personal injury.

### STEP ONE: MOUNT THE KOOVA STRUT

- The Fishing Rod Rack will need to be installed with enough room to access your rods. Determine the height by measuring the length of your longest pole and adding 6 inches. Mark the wall at least this distance from the ceiling (*figure a*).
- Locate the wood studs and mark their locations along the same horizontal line as the marks made in the previous step (*figure b*). Studs are usually 16" apart.
- Using the socket wrench (or electric drill driver), loosely screw one Koova lag bolt with washer into the marked location on the stud. Do not tighten (*figure c*).
- Use a level to make sure the strut is straight and install the second lag bolt into the next closest stud.

#### NO STUD FINDER?

There are a variety of methods for locating studs and a web search will show you these techniques.

#### NEED A LEVEL?

Your smartphone may have a level app already installed. If not there are many free apps available for most smartphones.

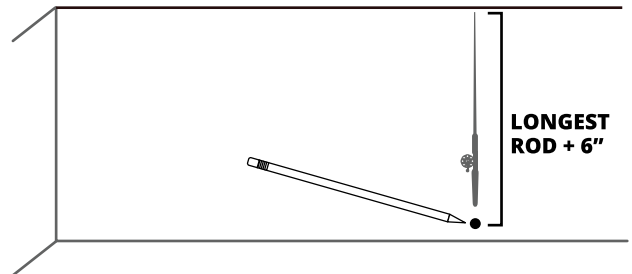


figure a

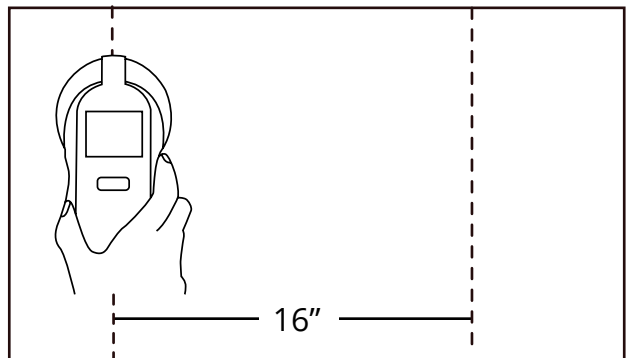


figure b

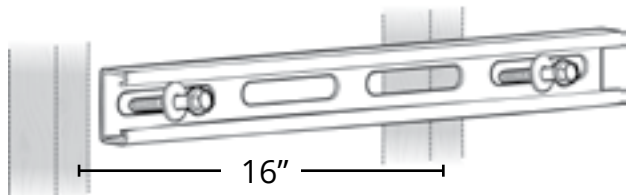


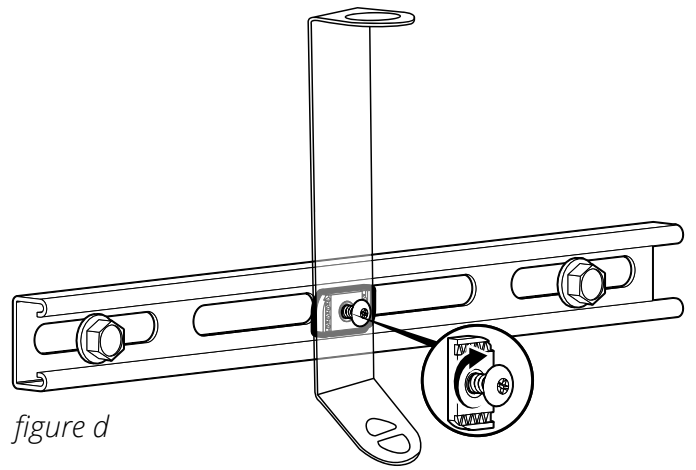
figure c

# KOOVA

NEED ASSISTANCE?  
Contact us at [support@koova.com](mailto:support@koova.com) or on live chat at [koova.com](https://koova.com)

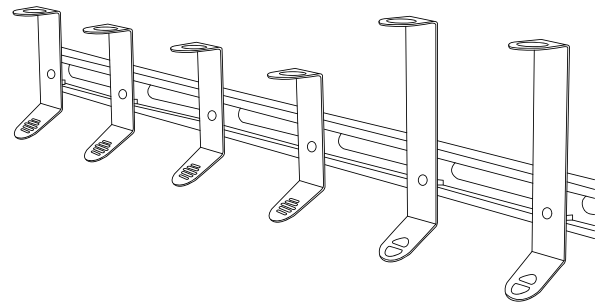
## STEP TWO: MOUNT THE ATTACHMENTS

- Insert the Koova bolts into front of the fishing rod holder attachment and loosely screw the Koova nut onto the bolt. Make sure the side with the textured part of the Koova nut is facing the back of the hook as shown (*figure d*).
- Place the attachment on the Koova strut with the nut turned so that it will fit easily into the strut.
- Using your phillips screwdriver, turn the Koova bolt clockwise. Make sure the Koova nut turns 90 degrees inside the strut (it should do this automatically but check to make sure). Continue tightening the bolt until secure.
- Repeat with each additional rod holder (*figure e*).



## STEP THREE: INSERT YOUR RODS

- Space your rod holders evenly on the strut. You may need to slide the attachments to the left or right (*figure f*).
- Insert the handle of your rod through the top circle opening. The bottom of the handle should rest on one of the bottom cut-outs to limit movement or slippage.



## KOOVA HELPS YOU PUT EVERYTHING IN ITS PLACE!



GOLF BAG ORGANIZATION



GARDEN & GARAGE ORGANIZATION



TOOL ORGANIZATION



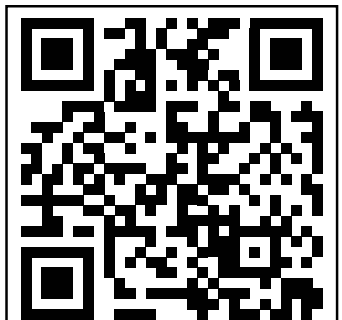
SKATEBOARD ORGANIZATION



HOME ORGANIZATION



HOME OFFICE ORGANIZATION



SHOP  
**KOOVA.COM**  
FOR OTHER  
GREAT  
ORGANIZATIONAL  
SOLUTIONS