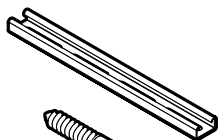


3 OR 6 BIKE RACK

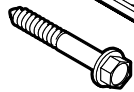
KOOVA

INSTALLATION INSTRUCTIONS FOR 3 OR 6 BIKE RACKS

v4.3



1x Koova Strut
(2x for 6 Bike Rack)



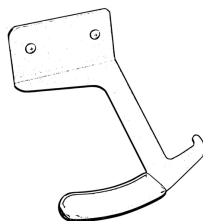
2x Lag Bolt
(4x for 6 Bike Rack)



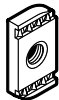
2x Flat Washer
(4x for 6 Bike Rack)



6x Koova Screws
(12x for 6 Bike Rack)



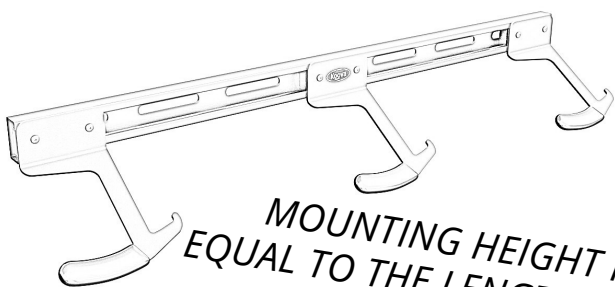
3x Bike Hooks
(6x for 6 Bike Rack)



6x Koova Nuts
(12x for 6 Bike Rack)

TOOLS NEEDED

- Socket wrench with 5/16" socket
- Phillips head screwdriver
- Stud finder (recommended)
- Pencil for marking mount
- Location level (optional)



MOUNTING HEIGHT IS
EQUAL TO THE LENGTH OF
YOUR LONGEST BIKE.



INSTALLATION WARNING



Read all instructions prior to starting. Wear safety glasses if using power tools. Use only included hardware and components.

To safely support the weight of your bikes, ensure that the included Koova Lag Bolts are securely installed into wood studs. Failure to mount the Koova System in studs may result in damage to property and/or personal injury.

If you are installing this product on masonry walls, you will need hardware specific for this use. Please contact us to obtain a masonry installation kit at support@koova.com.

Do not exceed the maximum weight limit for this product which is an evenly distributed 150 pounds per Koova Strut.



Ensure that no electrical wires are located where you are using Koova Lag Screws. Failing to ensure that no wiring exists where screws are inserted into a wall can lead to serious bodily injury, property damage or electrocution.

STEP ONE: LOCATE STUDS

- Locate a stud using a stud finder or alternative method (*figure a*). Mark the center of the stud.
- Measure 16" inches to either side to find a second stud and make a second mark.



STEP TWO: MARK MOUNTING LOCATION

- The height of your Koova strut will be equal to the length of your largest bike. Measure your largest bike from the back edge of the back wheel to the front edge of the front wheel (*figure b*).
- The strut will mount on the stud at the height determined above. Mark this location.
- Make an additional mark at the same height on a second stud, 16" apart from the first mark (*figure c*).

For the 6 bike rack, place the second strut at least 15 inches from either side of the first strut.

NO STUD FINDER?

If you do not have a stud finder, please visit <https://koova.com/pages/product-support> for safe alternatives to using a stud finder.

NEED A LEVEL?

Your smartphone may have a level app already installed. If not there are many free apps available for most smartphones.

KOOVA

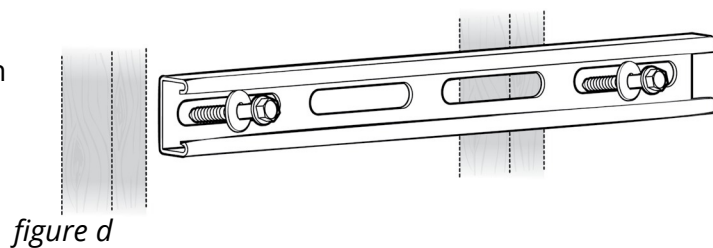
NEED ASSISTANCE?

Contact us at support@koova.com or at koova.com

© 2021 Alphidia, LLC. © 2019 Alphidia, LLC.

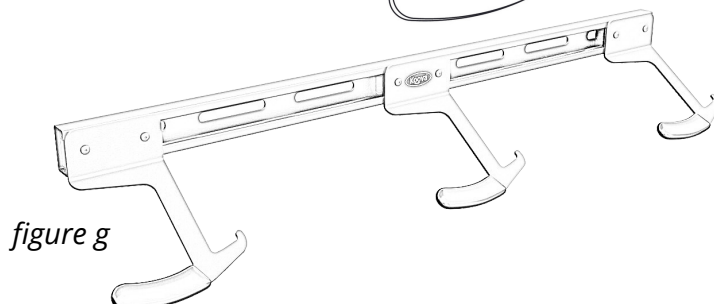
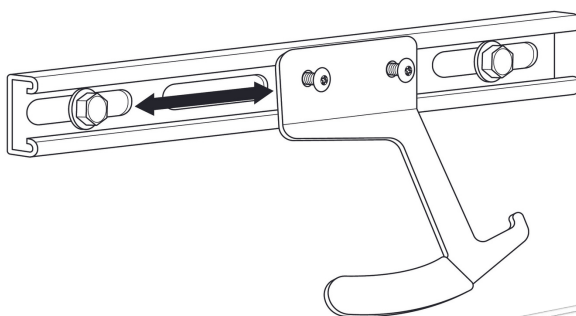
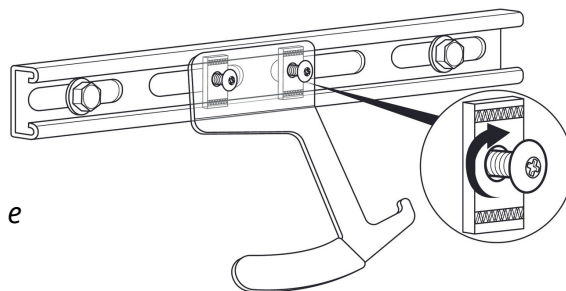
STEP THREE: MOUNT THE KOOVA STRUT

- Hold the Koova strut up to the wall so that you can see the two mounting marks through the slots. Place a washer on one of the lag bolts and line it up with the mark. Tighten with a 5/16" wrench or socket (*figure d*).
- Tighten bolt half-way and locate the second mark.
- Insert the second lag screw with washer. Tighten both bolts all the way.



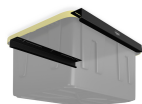
STEP FOUR: ATTACHING THE BIKE HOOKS

- Insert a Koova Screw into each of the front holes on the Bike Hook and loosely connect a Koova Nut *figure e* onto each screw. Make sure the Koova Nut "teeth" face the back of the attachment (*figure e*).
- With the Koova Nut horizontal, place the attachment on the Koova Strut. Loosely tighten the screw, rotating the Koova Nut so that it is oriented vertically.
- Slide the attachment to the desired position (*figure f*) and tighten. To properly support the weight of your bikes, make sure the Koova nuts are vertical when tightened.
- Repeat with second hook. For *figure f* best results space evenly as shown in *figure g*.



The Koova 3 and 6 Bike Rack is designed to hold nearly any size bike. If you have an unusually large bike (including large fat tire bikes) that are not fitting well, contact us for Jumbo bike hooks.

KOOVA HELPS YOU PUT EVERYTHING IN ITS PLACE!



OVERHEAD BIN ORGANIZATION



GARDEN & GARAGE ORGANIZATION



TOOL ORGANIZATION



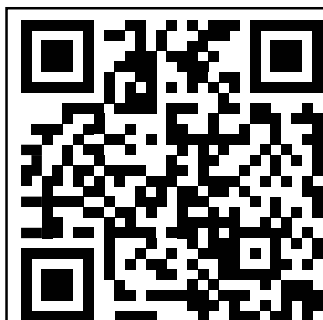
SKATEBOARD ORGANIZATION



HOME ORGANIZATION



HOME OFFICE ORGANIZATION



SHOP
KOOVA.COM

FOR OTHER GREAT
ORGANIZATIONAL
SOLUTIONS