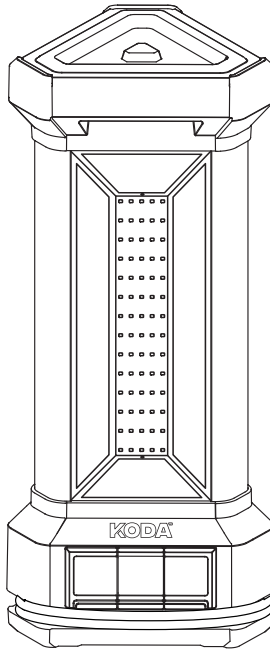


# KODA™

## TOWER WORK LIGHT with Power and USB Ports

Model: LM030377

### CARE & USE INSTRUCTIONS



## IMPORTANT INFORMATION. PLEASE READ CAREFULLY AND RETAIN FOR FUTURE REFERENCE.

For assistance with assembly, installation, parts or customer service,  
please contact us:



[info@kodabuilt.com](mailto:info@kodabuilt.com)



1-866-294-9244, Monday to Friday, 8am to 5pm Pacific Time



2975 Red Hill Ave., Suite 100, Costa Mesa, CA 92626, USA

## **IMPORTANT SAFETY INSTRUCTIONS:**

Read this manual thoroughly before first use and keep it in a safe place for future reference. To reduce risk of fire, electric shock, or injury to persons, please review the following:

- Important: For indoor and dry location use only.
- Improper connection of the grounding wire can result in electric shock. Do not modify the power cord plug provided with the product. Never remove the grounding prong from the plug.
- Do not plug into another power strip or extension cord.
- Do not use the product if the power cord or plug is damaged. If damaged, have it repaired by a service facility before use. If the plug does not fit the outlet, have a proper outlet installed by a qualified electrician.
- Do not abuse the power cord. Never use the power cord to carry the product or pull the plug from an outlet. Keep the power cord away from heat, oil, sharp edges, or moving parts.
- Do not look directly into the LEDs when operating.
- Keep away from liquids, oils, gasoline, and all chemicals.
- Keep the product out of children's reach; it is not a toy.
- Turn off and unplug from outlet when not in use.
- Do not sit or stand on top of the work light. It is not a chair.
- Keep proper balance and footing at all times. Do not overreach the product.
- Save these instructions.

**CAUTION:** Risk of electric shock. Do not use in or near wet locations such as kitchens or bathrooms.

**CAUTION:** Risk of electric fire. Do not charge electrical devices from the power accessory sockets while the product is in storage.

## **WARNING:**

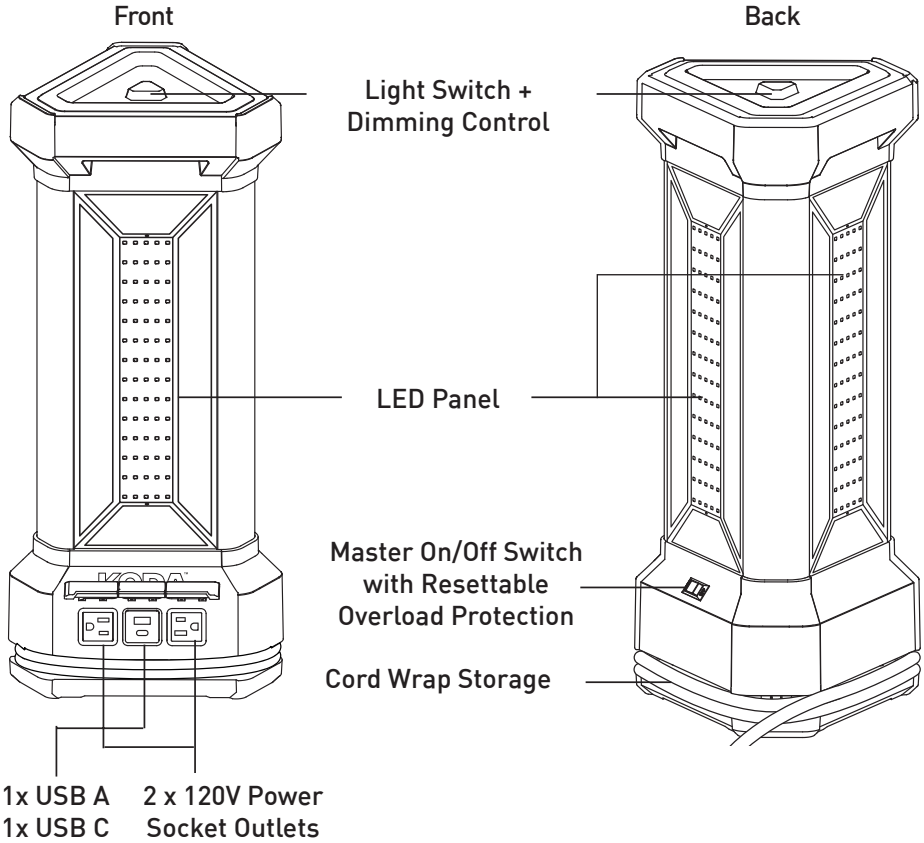
- LED light output is strong enough to injure human eyes. Precautions must be taken to prevent looking directly at the LEDs.
- If the product is damaged, it shall be exclusively replaced by the manufacturer or the service agent or qualified person in order to avoid a hazard, subject to our Warranty (see pg.7).
- The warnings, precautions, and instructions discussed in this manual cannot cover all possible conditions and situations that may occur. The operator must understand that common sense and caution are factors which cannot be built into this product, but must be supplied by the operator.

## **CLEANING:**

When cleaning, make sure to unplug the product and allow it to cool to room temperature. Do not open the power accessory socket covers when cleaning. The product can be cleaned with a feather duster or a soft damp cloth. Only plug the product back in after it has completely dried.

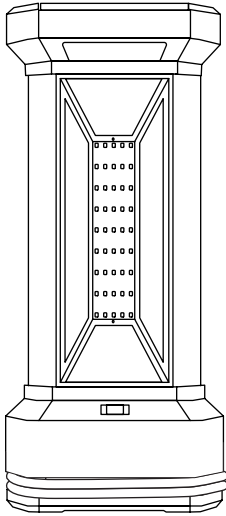
# PACKAGE CONTAINS:

Please layout all parts prior to installation.

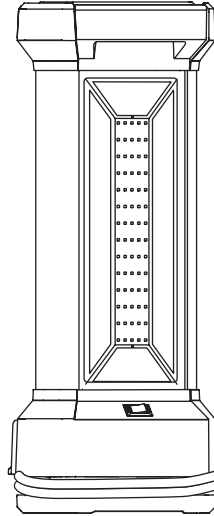


## PRODUCT OVERVIEW:

22 IN / 56 CM



9.7 IN / 24.8 CM



8.9 IN / 22.6 CM

## PRODUCT SPECIFICATIONS:

- Input Voltage and Current: 120 Vac, 60 Hz, 11 A
- Power Outlet Output: 120 Vac, total combined 10 A, 1200 W
- USB Output: 5 Vdc, USB C + USB A total combined 3.1 A MAX
- Light Wattage: 83 W MAX
- LED Output: 9000 Lumens
- Color Temperature: 5000K



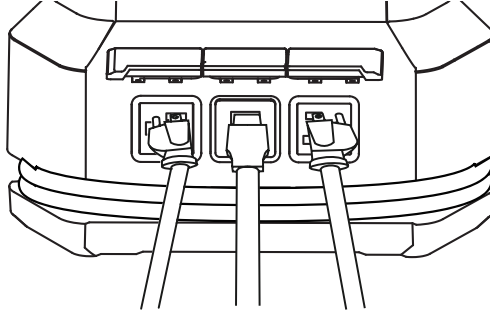
**Intertek**

This product is ETL/cETL Listed

## INSTRUCTIONS:

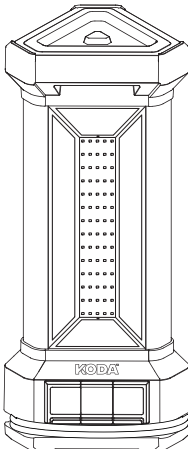
Using the socket outlets and USB ports:

1. Make sure your device is turned off before plugging into the USB ports /socket outlets.
2. Plug Work Light into electrical outlet. Flip master switch to “On” position.
3. Plug your device into the socket/USB port.
4. When you finish using the device, turn it off and unplug from Work Light.

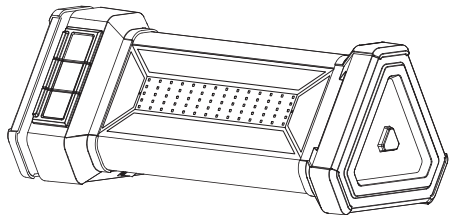


Using the Tower Work Light:

1. Plug Work Light into electrical outlet. Flip master switch to “On” position.
2. Press the top button to select your desired light panel(s) and adjust LED brightness. See following operation:
  - Short press button to select your desired light panel. Press once to light up one panel; press twice for two panels; press three times for three panels; and press four times to turn off all panels.
  - Long press button to dim LED brightness from 100% to 10%. Release the button to stop at the desired dimming level.
3. Stand Work Light upright or flat on its side.



Standing

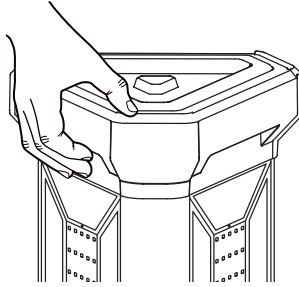


Flat

## FEATURES:

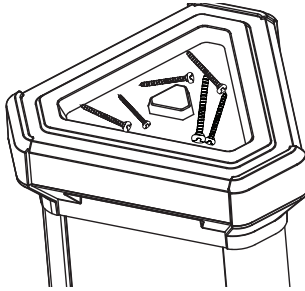
### Handles:

Carry the worklight by the handle.



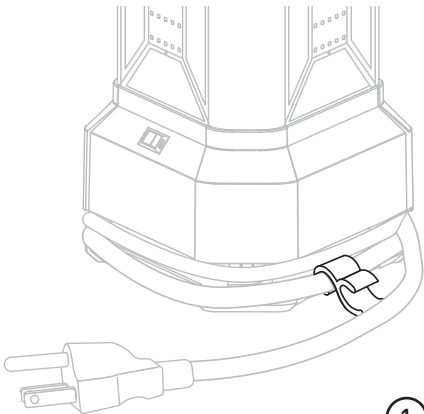
### Tool tray:

Store small tools, screws, parts etc.

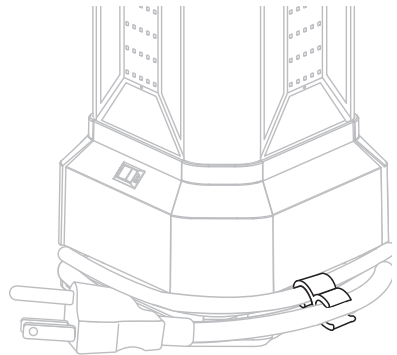


### Cord wrap storage:

1. Wrap the cord around the Work Light base.
2. Clamp down the cord using U-shape clips.



①



②

## Warranty:

This KODA product carries a 5-year warranty against defects in workmanship and materials subject to the conditions and additional warranty information available at:  
[www.kodabuilt.com/warranty](http://www.kodabuilt.com/warranty)

**DISCLAIMER OF WARRANTIES, INCLUDING WARRANTY OF MERCHANTABILITY AND WARRANTY OF FITNESS FOR PARTICULAR PURPOSE: EXCEPT AS SPECIFICALLY SET FORTH HEREIN, NO WARRANTY OR REPRESENTATION, EXPRESS OR IMPLIED, IS MADE AS TO THE TOWER WORK LIGHT. KODA AND/OR ITS AFFILIATES EXPRESSLY DISCLAIMS, WITHOUT LIMITATION, ANY STATUTORY WARRANTIES AND ALL IMPLIED WARRANTIES, INCLUDING ANY IMPLIED WARRANTY OF MERCHANTABILITY OR FITNESS FOR A PARTICULAR PURPOSE.**

## FCC Compliance Statement:

TOWER WORK LIGHT

Model: LM030377

Responsible Party:

KODA

Address: 2975 Red Hill Ave., Ste. 100, Costa Mesa, CA 92626, USA

Tel: 1-866-294-9244

This device complies with Part 15 of the FCC rules. Operation is subject to the following two conditions: (1) this device may not cause harmful interference, and (2) this device must accept any interference received, including interference that may cause undesired operation.

Warning: Changes or modifications to this unit not expressly approved by the party responsible for compliance could void the user's authority to operate the equipment.

The manufacturer is not responsible for any radio or TV interference caused by unauthorized modifications or change to this equipment. Such modifications or change could void the user's authority to operate the equipment.

This equipment has been tested and found to comply with the limits for a Class B digital device, pursuant to part 15 of the FCC Rules. These limits are designed to provide reasonable protection against harmful interference in a residential installation. This equipment generates, uses and can radiate radio frequency energy and, if not installed and used in accordance with the instructions, may cause harmful interference to radio communications. However, there is no guarantee that interference will not occur in a particular installation. If this equipment does cause harmful interference to radio or television reception, which can be determined by turning the equipment off and on, the user is encouraged to try to correct the interference by one or more of the following measures:

- Reorient or relocate the receiving antenna.
- Increase the separation between the equipment and receiver.
- Connect the equipment into an outlet on a circuit different from that to which the receiver is connected.
- Consult the dealer or an experienced radio/TV technician for help.

MADE IN CHINA



Have a comment or question? Email us at [info@kodabuilt.com](mailto:info@kodabuilt.com)  
or visit us online at [www.KodaBuilt.com](http://www.KodaBuilt.com)

**KODA™**

A Horizon Brands Company

2975 Red Hill Ave., Ste. 100, Costa Mesa, CA 92626, USA | Tel: 1-866-294-9244

© 2023 KODA. All rights reserved.