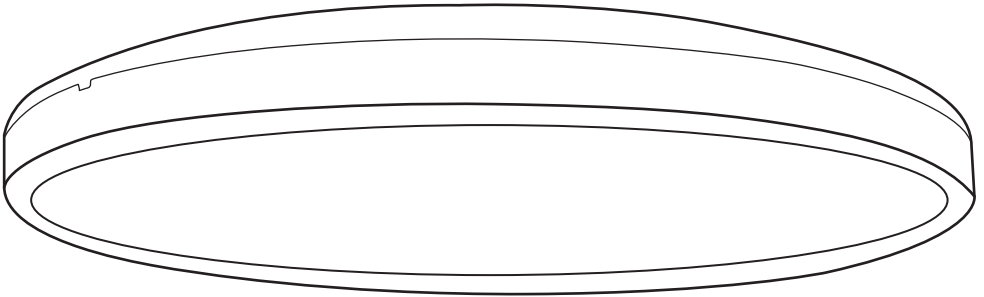


KODA™

SLIM 15" LED CEILING LIGHT

ITM. / ART. 1435543
Model: LM030004

CARE & USE INSTRUCTIONS



@KodaBuiltOfficial kodabuilt.com

IMPORTANT INFORMATION. PLEASE READ CAREFULLY AND RETAIN FOR FUTURE REFERENCE.

For assistance with assembly, installation, parts or customer service,
please contact us:



info@kodabuilt.com



1-866-294-9244, Monday to Friday, 8am to 5pm Pacific Time



2975 Red Hill Ave., Suite 100, Costa Mesa, CA 92626, USA

IMPORTANT SAFETY INSTRUCTIONS AND PRODUCT INFORMATION:

WARNING - To reduce risk of fire, electric shock, or personal injury:

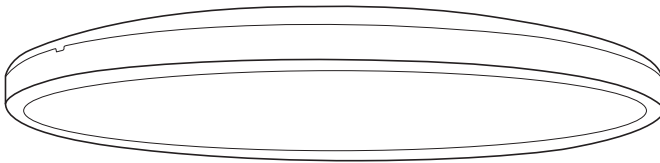
- This light fixture is intended to be installed utilizing a NEC compliant junction box.
- Turn OFF the main power at the fuse or circuit breaker before installing the light fixture or making any electrical connection.
- To ensure proper grounding, the ground wire as provided must contact between this light fixture indicated with grounding mark and the ground connection of your main power supply panel. Do not connect the bare or green insulation fixture ground wire to the black (hot) current-carrying wire or the white (neutral) wire. Connection of the bare or green fixture ground wire to the black or white wires may cause metal parts of the fixture to carry electrical currents, and may cause electrical shock, which could cause serious injury or death.
- **CAUTION:** A loose wire increases the risk of fire; tighten all connections securely.
- Do not suspend any fixture by the house wires. Suspending a fixture by the house wires and wire connectors may result in the fixture falling, possibly causing personal injury and the danger of electrical shock or fire.
- It is recommended that a qualified electrician perform all wiring connections. All electrical connections must be in accordance with all national and local electrical codes.
- This light fixture is designed for use in a 110 – 120VAC, 60Hz fuse circuit.
- Failure to disconnect the power supply prior to installation may result in serious injury or death.
- LED light output is strong enough to injure human eyes. Precautions must be taken to prevent looking directly at the LEDs without installing the diffuser (cover) for more than a few seconds.
- If the light fixture is damaged, it shall be exclusively replaced by the manufacturer or the service agent or qualified person in order to avoid a hazard.
- Do not tamper with or attempt to repair the LED component or fixture. The light source is designed for this specific application and should not be serviced by untrained personnel. Contact the Koda Customer Service team if any servicing is required.
- The warnings, precautions, and instructions discussed in this manual cannot cover all possible conditions and situations that may occur. The operator must understand that common sense and caution are factors which cannot be built into this product, but must be managed by the operator.
- If using this light fixture in a damp location, this light fixture must be connected to a supply circuit that is protected by a Ground Fault Circuit Interrupter (GFCI) to reduce the risk of personal injury, electrical shock, or death.
- This device does not have a plug; rewiring is required. If you are unsure how to rewire this light, please contact a qualified electrician to install instead of attempting to rewire yourself.
- Power will still run to the light even after the LED lifespan runs out. Always shut the power from the fuse (breaker) when conducting any type of maintenance on the light.
- For indoor use only. Suitable for damp locations.

CLEANING:

- Clean the outside of the fixture with a soft, dry cloth or slightly dampened clean cloth. Never use a cleaner with chemicals, solvents, or harsh abrasives to clean the product.
- Do not spray cleaner directly onto any part of the fixture or LEDs as this may permanently damage the light or its functions.

PACKAGE CONTAINS:

Please lay out all parts and read the instructions prior to installation.

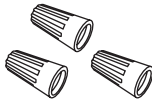


1 x Slim 15" LED Ceiling Light

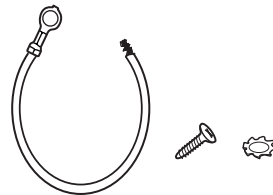
Installation Kit:



2 x Screws



3 x Wire Nuts



1 x Grounding Wire, Screw and Washer

Tools Needed (not included):



#2 Phillips-Head Screwdriver

BEFORE INSTALLATION:

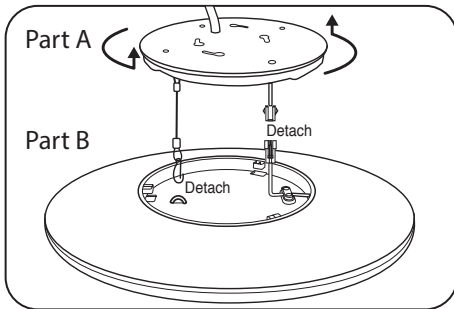
Carefully remove the light fixture and installation kit from the box, and check that all parts are included. Do not attempt to assemble the product if any part is missing or damaged. Please contact the Koda Customer Service team first.

The outlet box described in this manual is not provided. A standard outlet box needs to be pre-installed in the ceiling and the power supply wires running to the outlet box need to be rated 120Vac. If an outlet box does not exist, contact a qualified electrician for installation.

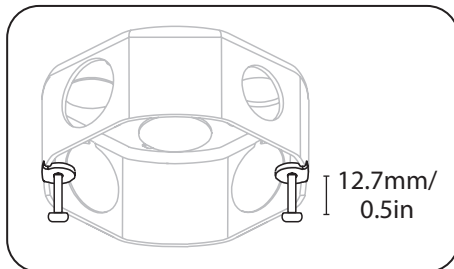
Turn OFF the main power at the fuse or circuit breaker before installing the light fixture or making any electrical connection. You may use a non-contact voltage tester to ensure no power running to the wires.

Warning: Failure to disconnect the power supply prior to installation may result in serious injury or death.

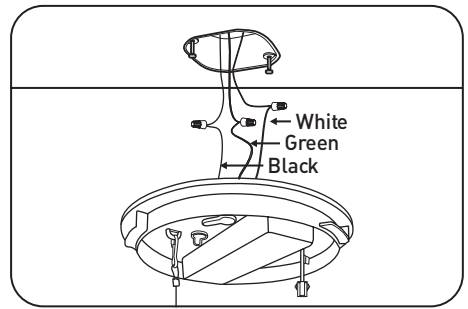
INSTALLATION PROCEDURE:



1. Rotate the top cover (Part A) counter-clockwise to detach it from the lamp body (Part B). Detach the power connector and then the support hanging wire from the lamp body part, to take out the top cover completely.



2. Install the included mounting screws into the outlet box until there is roughly a 1/2 inch between the ceiling and underside of the screw head.



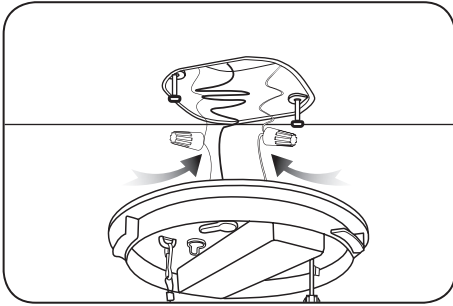
Warning: Never connect the ground wire to the hot or neutral power supply wires.

3a. (Optional) Connect the ground wire to the top cover using the screw and washer. The teeth side of the washer should be facing down to the top cover.

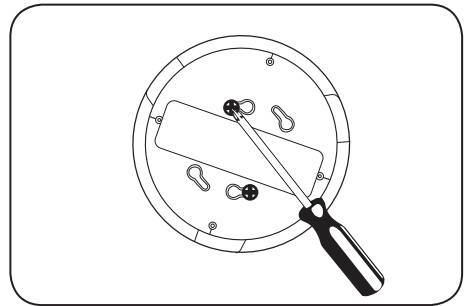
3b. Make the following spliced wire connections using wire nuts:

- White (neutral) supply wire to the common/neutral wire from the outlet box (most likely white).
- Black (hot) supply wire to the hot wire from the outlet box (most likely black or colored).
- (Optional) Green (ground) supply wire to the ground wire from the outlet box (most likely bare copper, green wire, or green and yellow wire), or wrap around the ground screw if ground wire does not exist.

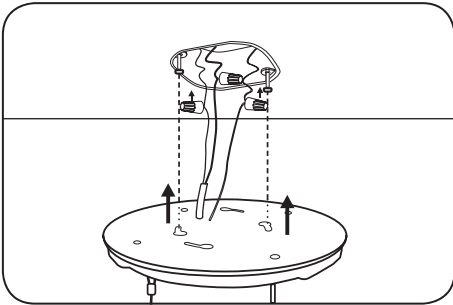
Screw the wire nuts in a clockwise direction. Ensure no bare wire or wire strands are visible after making the connections.



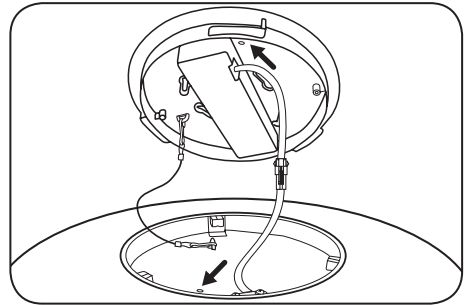
4. Carefully place all the wires and wire connections into the outlet box.



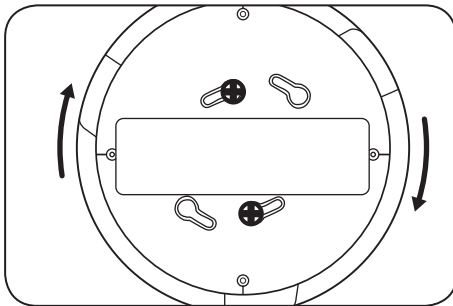
7. Tighten the mounting screws with the screwdriver to ensure the top cover is secured against the ceiling.



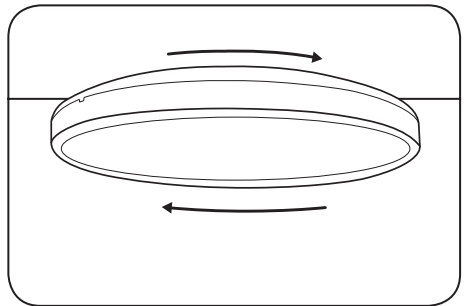
5. Place the top cover over the outlet box and feed the mounting screws through the inner keyhole slots. There are two pairs of keyhole slots. Please choose the appropriate pair keyhole slots to fit with the outlet box.



8. Connect the support hanging wire and power connectors to the lamp body, and then reattach the lamp body towards the top cover.
Note: Ensure the markers indicated above are exactly aligned when you reattach the lamp body.



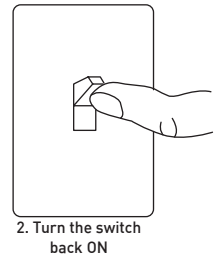
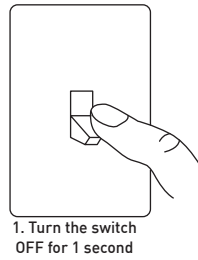
6. Rotate the top cover clockwise so that the mounting screws slide into the narrow ends of the keyhole slots.



9. Rotate the lamp body clockwise until you hear a 'click' sound, indicating the light is secured in place.

ADJUSTING THE COLOR TEMPERATURE:

To change the color temperature between a warm white light (2700K) or a natural white light (4000K), flip your light switch off for 1 second, then back on. You need to flip the switch within 5 seconds of being off otherwise the color temperature will remain the same.



DIMMER SWITCH:

Most standard dimmers are compatible with this light. For a complete list of compatible dimmers, please visit www.kodabuilt.com.

Product Specifications:

- Operating Voltage: 120 Vac, 60 Hz
 - Wattage: 23 W
 - Light Output: 1600 LM
 - Color Temperature: 2700K and 4000K
 - LED Life Cycles: up to 50,000 hours*
 - Color Accuracy / CRI: 80
 - Operating Temperature: 0°C to 40°C / 32°F to 104°F
- *50,000-hour lifespan is for the LED only. Lifespan depends on operating temperature, environmental conditions, etc.

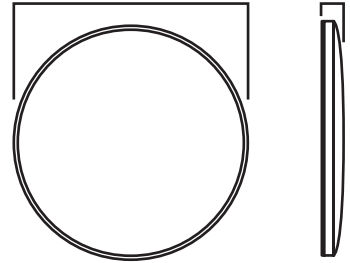


Intertek

This product is ETL/cETL Listed

15 in / 38.1 cm

1.3 in / 3.3 cm



Troubleshooting:

Problem	Possible Cause	Solution
Light does not illuminate. Light does not turn on.	Power is off.	Ensure the power supply and circuit breaker are both set to the on position.
	Faulty wire connection.	Check wiring to ensure all wires are correctly in place and secured.
	Faulty light switch.	Test and/or replace switch.
	End of life for the integrated LED.	Replace the light.
Fuse blows or circuit breaker trips when light is illuminated.	Turn off the circuit breaker supplying power to the light fixture. Check the wires and ensure they are properly connected and secured in place. Turn the circuit breaker back on and test the light. If the wiring looked correct and the light still isn't functioning, please contact a qualified electrician to check the condition of your wires.	Turn power to the light off from the breaker. Check the wires to ensure the wires were properly connected. If everything looks correct, contact a qualified electrician to check your wires.
My junction box does not have a ground wire.	The junction box is already grounded.	Look for a ground screw inside the junction box. Wrap the ground wire from the light to that ground screw.

Warranty:

This Koda product carries a 5-year warranty against defects in workmanship and materials. This product is not guaranteed against wear or breakage due to misuse and/or abuse.

NOTE: Warranty only applies for North American customers of purchases made in North America.

Conditions of Warranty

If during the 5-year warranty period your new product is found to be defective, Koda will repair such defect, or replace the product, without charge for parts or labor subject to the following conditions:

- All repairs must be performed by Koda.
- All warranty claims must be accompanied by a copy of the sales receipt or bill of sale.
- The equipment must not have been altered or damaged through negligence, accident, improper operation, or failure to follow the product instructions for installation, use, or care.
- The replacement of parts is excluded from the warranty when replacement is necessary due to normal wear and tear.
- Repair or replacement parts supplied by Koda under this warranty are protected only for the unexpired portion of the original warranty.
- This is a "repair or replace" warranty only, and does not cover the costs incurred for the installation, removal or reinstallation of the product.

OWNER'S RESPONSIBILITIES: Koda will make every effort to provide warranty service within a reasonable period of time. SHOULD YOU HAVE ANY QUESTIONS ABOUT SERVICE RECEIVED OR IF YOU WOULD LIKE ASSISTANCE IN OBTAINING SERVICE, PLEASE CALL TOLL FREE 1.866.294.9244 DURING REGULAR BUSINESS HOURS MONDAY THROUGH FRIDAY 8:00 AM TO 5:00 PM PST.

NOTE: Toll Free # is for North America Customers ONLY. See Customer service section for customer contact numbers for other regions/offices.

For customer service and technical support, please call us at 1.866.294.9244 or email us at info@kodabuilt.com. If at that time it is determined that a replacement unit is needed, the support representative will issue a Return Authorization and instruct on how to get a new unit.

Koda makes no other warranty of any kind aside from the limited express warranty stated herein.

DISCLAIMER OF WARRANTIES, INCLUDING WARRANTY OF MERCHANTABILITY AND WARRANTY OF FITNESS FOR PARTICULAR PURPOSE: EXCEPT AS SPECIFICALLY SET FORTH HEREIN, NO WARRANTY OR REPRESENTATION, EXPRESS OR IMPLIED, IS MADE AS TO THE LED CEILING LIGHT. KODA AND/OR ITS AFFILIATES EXPRESSLY DISCLAIMS, WITHOUT LIMITATION, ANY STATUTORY WARRANTIES AND ALL IMPLIED WARRANTIES, INCLUDING ANY IMPLIED WARRANTY OF MERCHANTABILITY OR FITNESS FOR A PARTICULAR PURPOSE.

FCC / IC Compliance Statement:

Slim 15" LED Ceiling Light

Model: LMO30004

Responsible Party:

Koda

Address: 2975 Red Hill Ave., Ste. 100, Costa Mesa, CA 92626, USA

Tel: 1-866-294-9244

This device complies with Part 15 of the FCC rules and Industry Canada license-exempt RSS standard(s). Operation is subject to the following two conditions: (1) this device may not cause harmful interference, and (2) this device must accept any interference received, including interference that may cause undesired operation.

Warning: Changes or modifications to this unit not expressly approved by the party responsible for compliance could void the user's authority to operate the equipment.

The manufacturer is not responsible for any radio or TV interference caused by unauthorized modifications or change to this equipment. Such modifications or change could void the user's authority to operate the equipment.

This equipment has been tested and found to comply with the limits for a Class B digital device, pursuant to part 15 of the FCC Rules. These limits are designed to provide reasonable protection against harmful interference in a residential installation. This equipment generates, uses and can radiate radio frequency energy and, if not installed and used in accordance with the instructions, may cause harmful interference to radio communications. However, there is no guarantee that interference will not occur in a particular installation. If this equipment does cause harmful interference to radio or television reception, which can be determined by turning the equipment off and on, the user is encouraged to try to correct the interference by one or more of the following measures:

- Reorient or relocate the receiving antenna.
- Increase the separation between the equipment and receiver.
- Connect the equipment into an outlet on a circuit different from that to which the receiver is connected.
- Consult the dealer or an experienced radio/TV technician for help.


CAN ICES-005(B) / NMB-005(B)

The Facebook logo is a trademark of Facebook, Inc.

The Instagram logo is a trademark of Instagram, Inc.

YouTube and the YouTube logo are registered trademarks of Google Inc.

MADE IN CHINA

 Have a comment or question? Email us at info@kodabuilt.com or visit us online at www.KodaBuilt.com

KODA™

A Horizon Brands Company

2975 Red Hill Ave., Ste. 100, Costa Mesa, CA 92626, USA | Tel: 1-866-294-9244

© 2020 Koda. All rights reserved.

ML-030004_V1