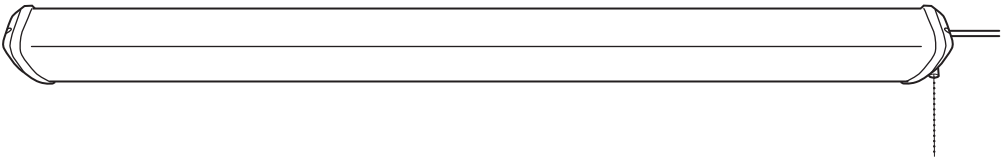




# MULTI-DIRECTIONAL LED SHOP LIGHT ULTRA-BRIGHT 8000 LUMENS

Model: LM030315

## CARE & USE INSTRUCTIONS



## IMPORTANT, RETAIN FOR FUTURE REFERENCE: READ CAREFULLY

For assistance with installation, parts, Wi-Fi connectivity issues or other technical questions, please email us at [info@kodabuilt.com](mailto:info@kodabuilt.com) or call us at 1-866-294-9244, Monday through Friday, 8 am to 5 pm PT.

Please refer to the Troubleshooting section for common questions and answers, or visit the Koda Help Center at <https://help.horizon-brands.com/hc/en-us>

2975 Red Hill Ave., Ste. 100, Costa Mesa, CA 92626, USA

[www.KodaBuilt.com](http://www.KodaBuilt.com)

## **IMPORTANT SAFETY INSTRUCTIONS:**

**DANGER** - To reduce the risk of electric shock:

Always unplug this product from the electrical outlet before cleaning.

**WARNING:** To reduce risk of fire, electric shock, or injury to persons:

- Do not modify the power cord plug provided with the product.
- Do not use the light if the power cord or plug is damaged. If damaged, have it repaired by a service facility before use. If the plug does not fit the outlet, have a proper outlet installed by a qualified electrician.
- Disconnect the power cord plug from the power source before making any adjustment or changing accessories. Do not attempt to install the product while plugged in.
- Do not abuse the power cord. Never use the power cord to carry the light or pull the plug from an outlet. Keep the power cord away from heat, oil, sharp edges, or moving parts.
- Not for use with dimmer packs, timing devices, motion detectors, or lighting controllers other than supplied with this product.
- Only use product in its intended location.
- These portable luminaries have a polarized plug (one blade is wider than the other) as a feature to reduce the risk of electric shock. This plug will fit in a polarized outlet only one way. If the plug does not fit fully in the outlet, reverse the plug. If it still does not fit, contact a qualified electrician. Never use with an extension cord unless plug can be fully inserted. Do not alter the plug.
- The receptacle is for connecting with the same model LM030315 only, and up to maximum 6 units (including the first one).
- Do not connect with other appliances, or connect more than 6 units of light model LM030315.

**CAUTION: TO PREVENT ELECTRIC SHOCK, MATCH WIDE BLADE OF PLUG TO WIDE SLOT**

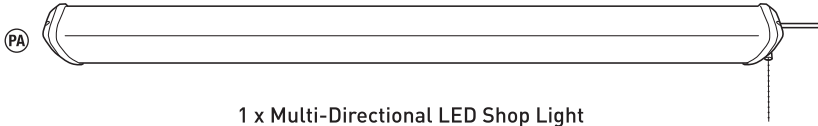
**SAVE THESE INSTRUCTIONS**

### **WARNING:**

- LED light output is strong enough to injure human eyes. Do not stare at the LED light while it is illuminating.
- If the light is damaged, it shall be exclusively replaced by the manufacturer or the service agent or qualified person in order to avoid a hazard.
- The warnings, precautions, and instructions discussed in this manual cannot cover all possible conditions and situations that may occur. The operator must understand that common sense and caution are factors which cannot be built into this product, but must be supplied by the operator.
- Do not tamper with or attempt to repair the LED component or fixture. The light source is designed for this specific application and should not be serviced by untrained personnel. Contact the customer service department if any servicing is required.

## PACKAGE CONTENTS:

Please lay out all parts and read the instructions prior to installation.



### Installation Kit



1 x Measuring Template



2 x Mounting Brackets



2 x Plastic Anchors



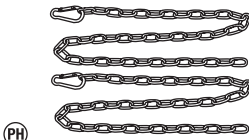
2 x Drywall Screws



2 x Wood Screws



2 x Washers



2 x Mounting Chains

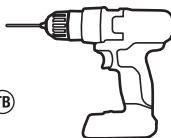


2 x Hanging Hooks

### Tools Needed (not included)



Phillips-Head Screwdriver



Drill and 2 mm /  
5/64 inch Drill Bit



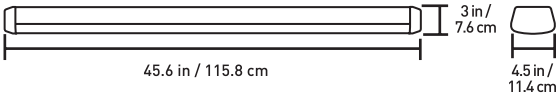
Safety Glasses



Screw Eye Hook

## PRODUCT SPECIFICATIONS:

1. Operating Voltage: 120 Vac, 60 Hz
2. Wattage: 80 W
3. Light Output: 8000 lumens (Main 7000 lumens, Ambient 1000 lumens)
4. Color Temperature: 4000 K
5. LED Life Cycles: up to 50,000 hours
6. Operating Temperature: 0°C to 40°C / 32°F to 104°F



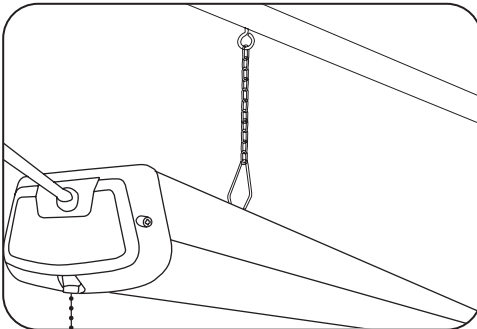
Intertek

This product is ETL/cETL Listed

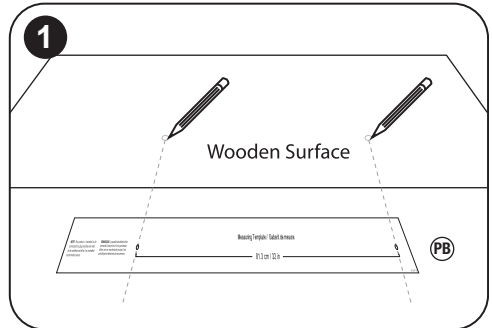
## INSTALLATION PROCEDURES:

**NOTE:** The light can be linked with the same model LM030315 only, and can be linked up to maximum 6 units (including the first one).

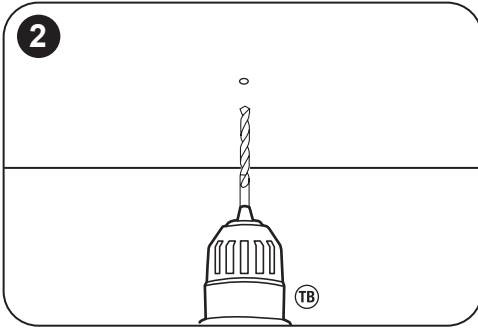
### CEILING HANGING WITH CHAINS:



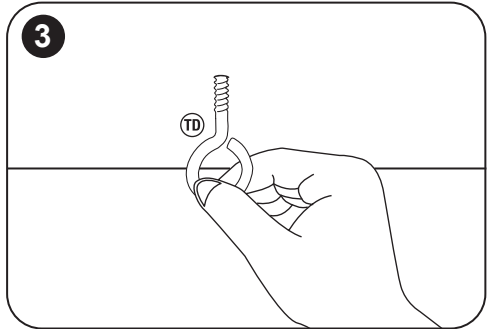
Final installed illustration



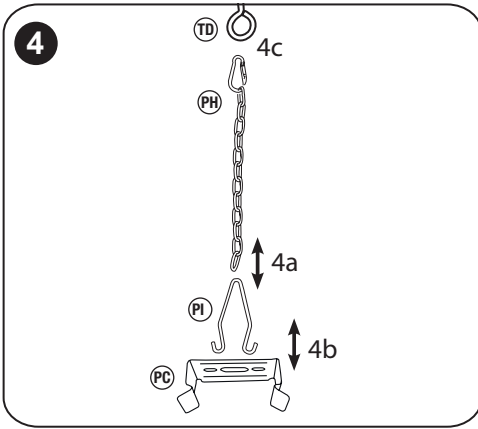
1. Select a mounting location and make sure the wooden surface is suitable for supporting the light. Use the measuring template (PB) to mark the hook locations on the mounting surface, with each location being 32 in / 81.3 cm apart from each other.



2. Wear safety glasses before drilling pilot holes. Drill two 2 mm diameter pilot holes.



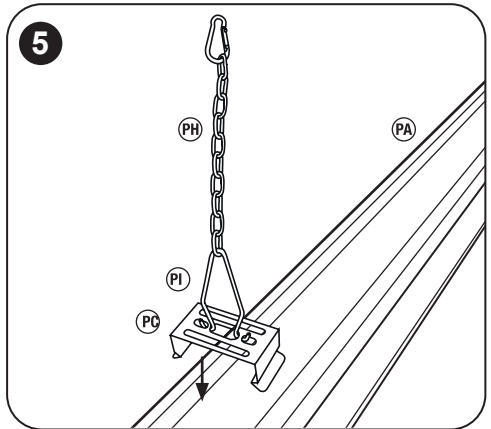
3. Screw in the Screw Eye Hooks <sup>TD</sup> (not provided).



4a. Determine the desired hanging height. Slip the hanging hook <sup>PI</sup> through the chain <sup>PH</sup>.

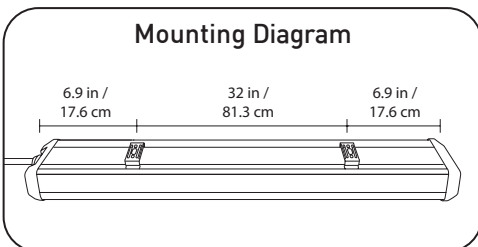
4b. Insert the hanging hook <sup>PI</sup> into the openings of the mounting bracket <sup>PC</sup>. Repeat for the other mounting bracket.

4c. Connect the chain onto the screw eye hook. Repeat for the other chain and hook.



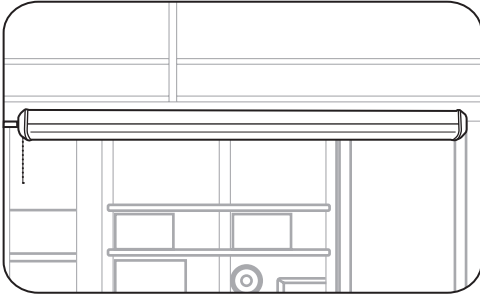
5. Clip mounting brackets <sup>PC</sup> onto the light.

The light is intended to be installed directly beneath a ceiling-mounted receptacle. The excess power cord should be kept out of the work space, such as by securing it to one of the supporting chains with a cable tie.

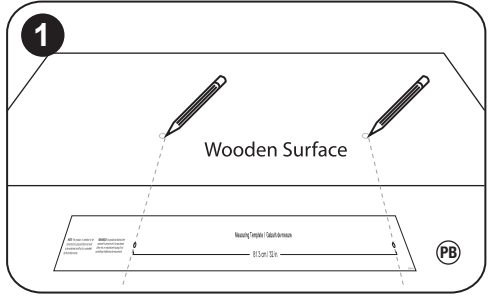


**NOTE:** The mounting brackets should be at least 32 in / 81.3 cm apart. See Mounting Diagram on the left for installation.

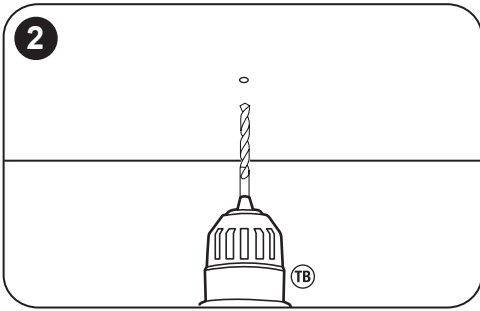
## CEILING FLUSH MOUNT:



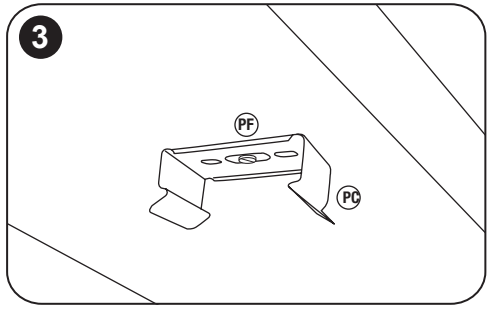
Final installed illustration



1. Select a mounting location and make sure the wooden surface is suitable for supporting the light. Use the measuring template (PB) to mark the hook locations on the mounting surface, with each location being 32 in / 81.3 cm apart from each other.

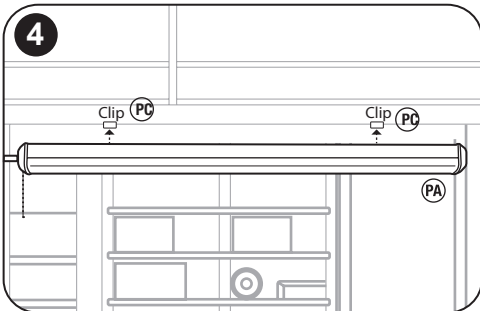


2. Wear safety glasses before drilling pilot holes. Drill two 2 mm diameter pilot holes.

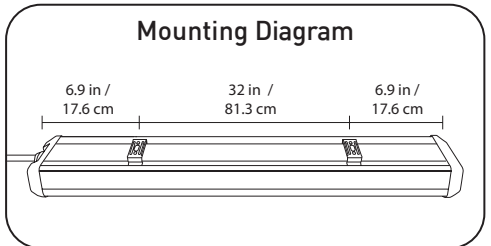


3. Screw the mounting bracket (PC) with the wood screw (PF) provided. Repeat for the second mounting bracket.

Note: For concrete or drywall, you may use drywall screws along with plastic anchors instead of wood screws.

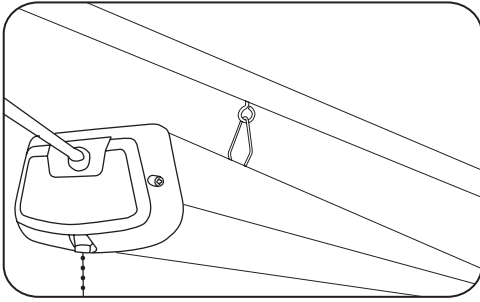


4. Clip mounting brackets (PC) onto the light.

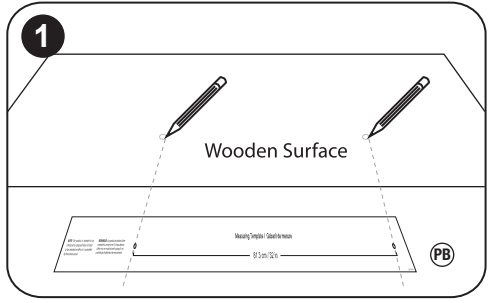


**NOTE:** The mounting brackets should be at least 32 in / 81.3 cm apart. See Mounting Diagram above for installation.

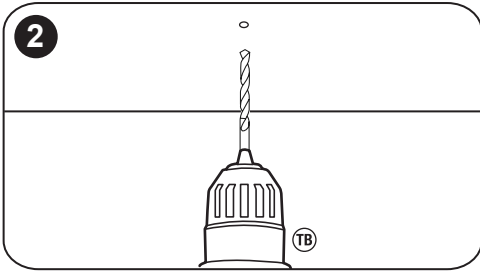
# CEILING HANGING WITH HOOKS:



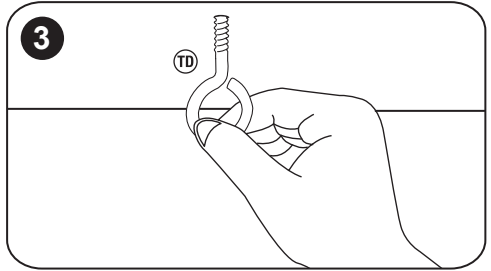
Final installed illustration



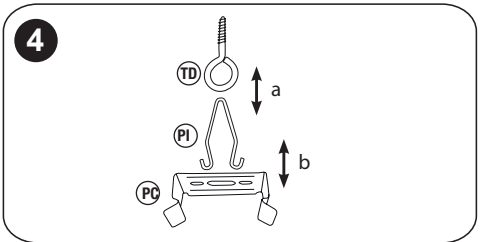
1. Select a mounting location and make sure the wooden surface is suitable for supporting the light. Use the measuring template (PB) to mark the hook locations on the mounting surface, with each location being 32 in / 81.3 cm apart from each other.



2. Wear safety glasses before drilling pilot holes. Drill two 2 mm diameter pilot holes.

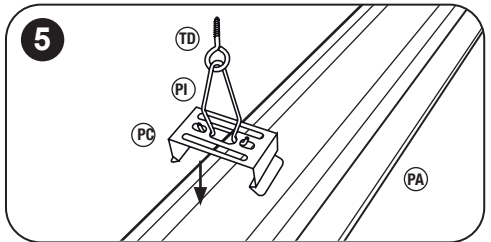


3. Screw in the screw eye hooks (TD) (not provided).



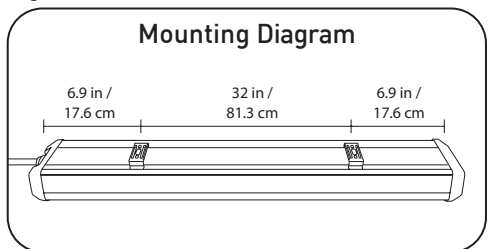
4a. Slip the hanging hook (PI) into the screw eye hook (TD). Repeat for the second hanging hook.

4b. Insert the hanging hook into the middle opening of the mounting bracket (PG). Repeat for the other mounting bracket.



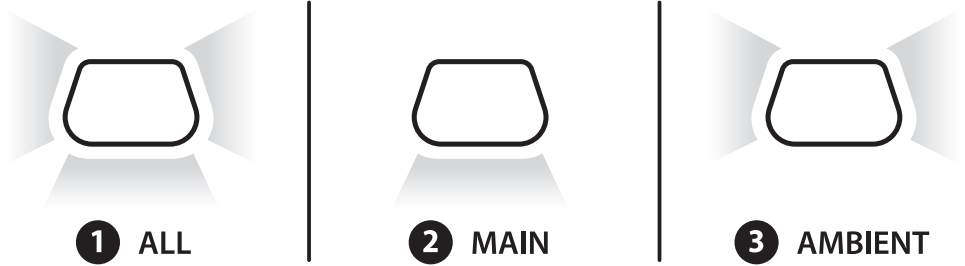
5. Clip mounting brackets (PI) onto the light.

**NOTE:** The mounting brackets should be at least 32 in / 81.3 cm apart. See Mounting Diagram on the right for installation.

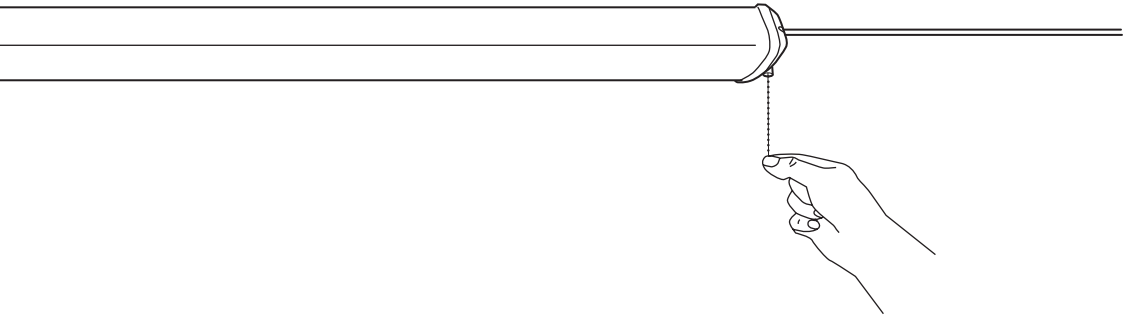


## OPERATION:

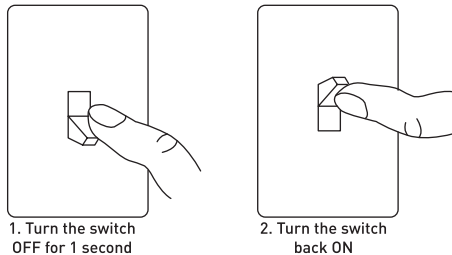
There are 3 operation modes: ALL, MAIN, AMBIENT.



To change among different operation modes, flip your light switch OFF for 1 second, then back ON. You can also use the pull switch to change among modes, toggle pull switch OFF for 1 second, then back ON.



You need to flip the wall switch or toggle the pull switch within 5 seconds of being turned OFF otherwise the operation mode will remain the same.





## MAINTENANCE:

**CLEANING INSTRUCTIONS:** When cleaning, make sure you have unplugged the light and allow it to cool to room temperature. Do not open the retaining clips when cleaning. The light can be cleaned with a feather duster or a soft damp cloth.

You should only plug in the light after it has been completely dried.

## TROUBLESHOOTING:

| <b>PROBLEM</b>  | <b>POSSIBLE CAUSE</b>                                  | <b>SOLUTION</b>                      |
|---|--|--------------------------------------|
| Light does not illuminate.<br><br>Light does not turn on. | The light is not plugged in or the main switch is OFF. | Plug in and turn on the main switch. |

## Warranty:

This Koda product carries a 5-year warranty against defects in workmanship and materials subject to the conditions and additional warranty information available at: [www.kodabuilt.com/warranty](http://www.kodabuilt.com/warranty)

**DISCLAIMER OF WARRANTIES, INCLUDING WARRANTY OF MERCHANTABILITY AND WARRANTY OF FITNESS FOR PARTICULAR PURPOSE: EXCEPT AS SPECIFICALLY SET FORTH HEREIN, NO WARRANTY OR REPRESENTATION, EXPRESS OR IMPLIED, IS MADE AS TO THE LED SHOP LIGHT. KODA AND/OR ITS AFFILIATES EXPRESSLY DISCLAIMS, WITHOUT LIMITATION, ANY STATUTORY WARRANTIES AND ALL IMPLIED WARRANTIES, INCLUDING ANY IMPLIED WARRANTY OF MERCHANTABILITY OR FITNESS FOR A PARTICULAR PURPOSE.**

## FCC / IC COMPLIANCE STATEMENT:

MULTI-DIRECTIONAL LED SHOP LIGHT

Model: LM030315

Responsible Party:

Koda

Address: 2975 Red Hill Ave., Ste. 100, Costa Mesa, CA 92626, USA

Tel: 1-866-294-9244

This device complies with Part 15 of the FCC rules. Operation is subject to the following two conditions: (1) this device may not cause harmful interference, and (2) this device must accept any interference received, including interference that may cause undesired operation.

Warning: Changes or modifications to this unit not expressly approved by the party responsible for compliance could void the user's authority to operate the equipment.

The manufacturer is not responsible for any radio or TV interference caused by unauthorized modifications or change to this equipment. Such modifications or change could void the user's authority to operate the equipment.


This equipment has been tested and found to comply with the limits for a Class B digital device, pursuant to part 15 of the FCC Rules. These limits are designed to provide reasonable protection against harmful interference in a residential installation. This equipment generates, uses and can radiate radio frequency energy and, if not installed and used in accordance with the instructions, may cause harmful interference to radio communications. However, there is no guarantee that interference will not occur in a particular installation. If this equipment does cause harmful interference to radio or television reception, which can be determined by turning the equipment off and on, the user is

encouraged to try to correct the interference by one or more of the following measures:

- Reorient or relocate the receiving antenna.
- Increase the separation between the equipment and receiver.
- Connect the equipment into an outlet on a circuit different from that to which the receiver is connected.
- Consult the dealer or an experienced radio/TV technician for help.

CAN ICES-005(B) / NMB-005(B)

MADE IN CHINA

 Have a comment or question? Email us at [info@kodabuilt.com](mailto:info@kodabuilt.com)  
or visit us online at [www.KodaBuilt.com](http://www.KodaBuilt.com)

**KODA™**

A Horizon Brands Company  
2975 Red Hill Ave., Ste. 100, Costa Mesa, CA 92626, USA | Tel: 1-866-294-9244  
© 2022 Koda. All rights reserved.

ML-030315\_V1