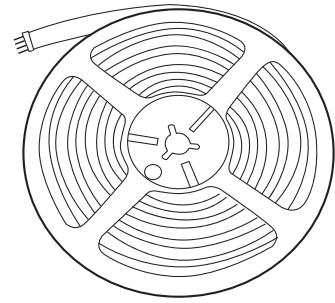


LED LIGHT STRIP

Model: LM030194 / LM030195



@KodaBuiltOfficial

IMPORTANT INFORMATION.

PLEASE READ CAREFULLY AND RETAIN FOR FUTURE REFERENCE

For assistance with assembly, installation, parts or customer service, please contact us:

info@kodabuilt.com

1-866-294-9244, Monday to Friday, 8am to 5pm Pacific Time

2975 Red Hill Ave., Suite 100, Costa Mesa, CA 92626, USA

IMPORTANT SAFETY INSTRUCTIONS:

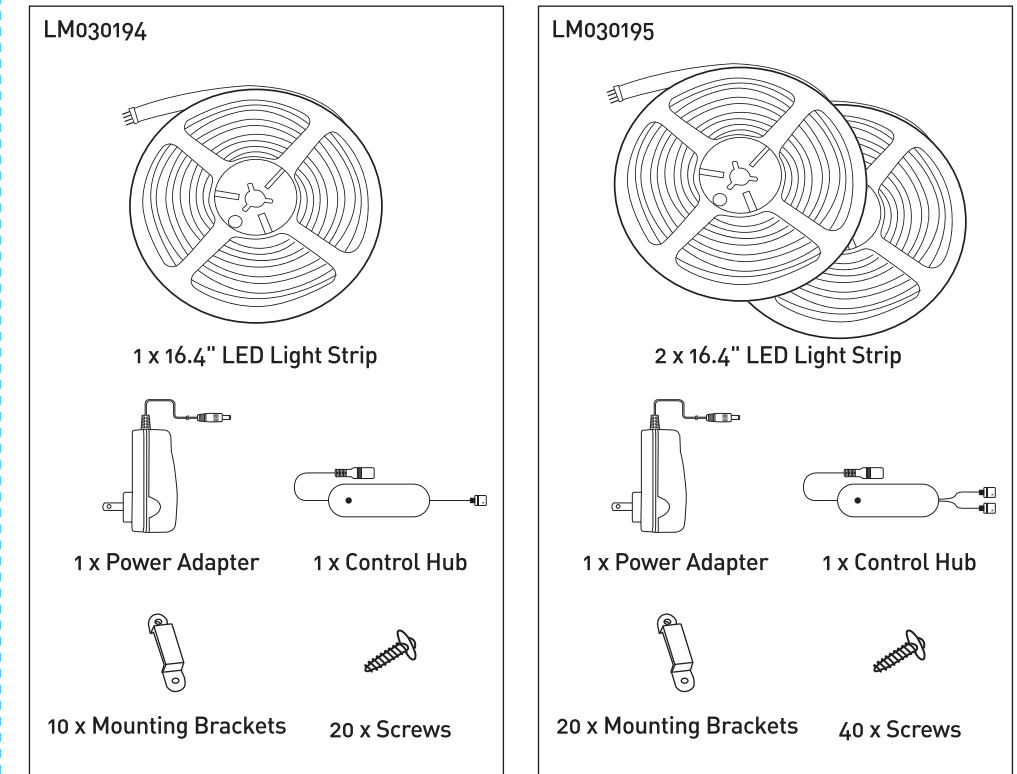
- It is recommended that a qualified electrician perform all fitting and maintenance work. All electrical connections must be in accordance with all national and local safety regulations.
- Only use the adapter which has been provided with this LED Light Strip.
- Do not use the light if the power cables or plug is damaged. If damaged, have it repaired by a service facility before use. If the plug does not fit the outlet, have a proper outlet installed by a qualified electrician.
- Do not abuse the power cables. Protect from sharp edges, oil and heat.
- Secure LED Light Strip using mounting brackets provided only. Do not secure with staples, nails, or like means that may damage the insulation.
- LED Light Strip must be handled with care. Excessive handling, bending, and pressure may damage the product.
- Do not connect the LED Light Strip to the supply while it is in the packaging or wound onto a reel.
- Do not use the LED Light Strip when covered or recessed into a surface.
- Do not submerge any part of this product.
- Do not tamper with or attempt to repair the LED component. The light source is designed for this specific application and should not be serviced by untrained personnel. Contact KODA customer service team if any servicing is required.
- For indoor use only. Do not use at outdoor.

POWER SUPPLY

Caution: Avoid connecting or disconnecting when the equipment is wet. Do not use with extension cord near water or where water may accumulate.

PACKAGE CONTAINS:

Please lay out all parts and read the instructions prior to installation.



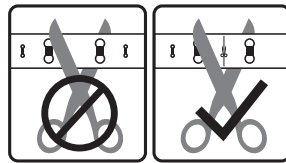
Tools Needed (not included)



#2 Phillips-Head Screwdriver

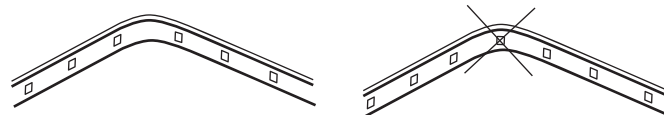
BEFORE INSTALLATION:

- Determine the desired length of strip.
- Cut the desired length at scissors mark.



Note: The portion of strip that is cut-off is no longer usable.

- Clean the mounting surface to ensure dry and clean.
- Do not install the light with LED chip at the corner while the light in a bent position.



- Download the KODA app to your device. Install the KODA app on your smartphone. Scan the QR code below or search "KODA Smart Home" in the App Store or Google Play. Download and install the app.



NOTE: Only support 2.4GHz Wi-Fi network.

NOTE: The app is only available on smartphones with Apple iOS 10 or newer, and Android 10.0 or newer. The KODA app is not accessible from tablets, browsers, or PCs.

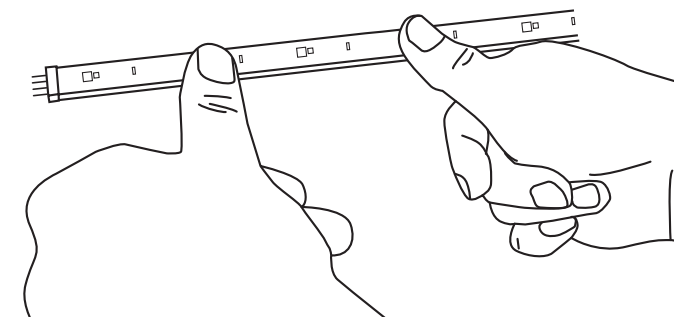
TIP: Check out the installation video at www.kodabuilt.com to help familiarize yourself with the installation process before starting.

TIP: We recommend pairing your smartphone to the Light strip prior to installation. Download the app, plug the product into an outlet, and follow the in-app instructions.

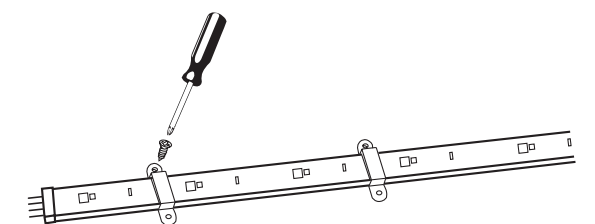
iPhone, iPad and iPod touch are trademarks of Apple Inc. Android is a trademark of Google Inc.

FIRST TIME INSTALLATION:

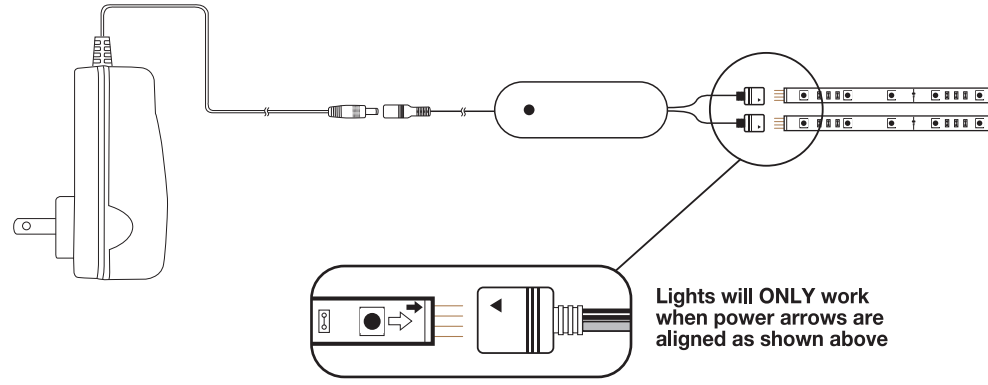
1. Adhesive Mount
Peel off the protective film on the adhesive tape, and apply to the mounting surface. Press over it firmly.



2. Bracket Mount
Use the mounting brackets and screws to secure the light for hard to stick-to surface. Ensure the brackets are placed in between LEDs in order not to cover the lights.



3. Connect the light
Connect the light to control hub and power adapter accordingly. Plug the adapter into any standard 120V wall socket for power supply.



4. Connect to WiFi
Connect to a 2.4GHz Wi-Fi network which covers the area the lights are installed. Press and hold the control hub button for 5 seconds to switch to 'Pairing Mode'. The light indicator will be blinking. Follow the instructions in the app for connecting to Wi-Fi. Once connected to Wi-Fi, the light will stop blinking.

7

OPERATION:

- Control Hub button:
Single click - On / Off
Press and hold for 5 seconds-Enter pairing mode or reset
- Control the lights via KODA App.
- (Optional) Connect to Google Assistant or Alexa. Follow the instruction in KODA app for set up.

PRODUCT SPECIFICATIONS:

Operating Voltage: 120 Vac, 60 Hz
Power Adapter Input: 1 A Max
Power Adapter Output: 12 Vdc, 2 A (LM030194) / 12 Vdc, 3 A (LM030195)

TROUBLESHOOTING:

Problem	Possible Cause	Solution
The light cannot be searched out in KODA app.	2.4 GHz Wi-Fi network is not connected.	Connect both smart device and light strip to 2.4 GHz network.
	Wi-Fi password is not correct.	Re-enter the Wi-Fi password in KODA app.
	The light strip is not paired up with smart device.	Pair up the light: Enter the pairing mode by press and hold the Control Hub button for 5 seconds. Open the KODA app to find the light.

8

9

Important Safety Instructions:

Warranty:

This Koda product carries a 5-year warranty against defects in workmanship and materials subject to the conditions and additional warranty information available at: www.kodabuilt.com/warranty

DISCLAIMER OF WARRANTIES, INCLUDING WARRANTY OF MERCHANTABILITY AND WARRANTY OF FITNESS FOR PARTICULAR PURPOSE: EXCEPT AS SPECIFICALLY SET FORTH HEREIN, NO WARRANTY OR REPRESENTATION, EXPRESS OR IMPLIED, IS MADE AS TO THE LED LIGHT STRIP. KODA AND/OR ITS AFFILIATES EXPRESSLY DISCLAIMS, WITHOUT LIMITATION, ANY STATUTORY WARRANTIES AND ALL IMPLIED WARRANTIES, INCLUDING ANY IMPLIED WARRANTY OF MERCHANTABILITY OR FITNESS FOR A PARTICULAR PURPOSE.

10

FCC / IC Compliance Statement

LED LIGHT STRIP

Model: LM030194 / LM030195

Responsible Party:

Koda

Address: 2975 Red Hill Ave., Ste. 100, Costa Mesa, CA 92626, USA

Tel: 1-866-294-9244

This device complies with Part 15 of the FCC rules. Operation is subject to the following two conditions: (1) this device may not cause harmful interference, and (2) this device must accept any interference received, including interference that may cause undesired operation.

Warning: Changes or modifications to this unit not expressly approved by the party responsible for compliance could void the user's authority to operate the equipment.

The manufacturer is not responsible for any radio or TV interference caused by unauthorized modifications or change to this equipment. Such modifications or change could void the user's authority to operate the equipment.

This equipment has been tested and found to comply with the limits for a Class B digital device, pursuant to part 15 of the FCC Rules. These limits are designed to provide reasonable protection against harmful interference in a residential installation. This equipment generates, uses and can radiate radio frequency energy and, if not installed and used in accordance with the instructions, may cause harmful interference to radio communications. However, there is no guarantee that interference will not occur in a particular installation. If this equipment does cause harmful interference to radio or television reception, which can be determined by turning the equipment off and on, the user is encouraged to try to correct the interference by one or more of the following measures:

- Reorient or relocate the receiving antenna.
- Increase the separation between the equipment and receiver.
- Connect the equipment into an outlet on a circuit different from that to which the receiver is connected.
- Consult the dealer or an experienced radio/TV technician for help.

MADE IN CHINA

Have a comment or question? Email us at info@kodabuilt.com or visit us online at www.KodaBuilt.com

KODA™

A Horizon Brands Company
2975 Red Hill Ave., Ste. 100, Costa Mesa, CA 92626, USA | Tel: 1-866-294-9244
© 2021 Koda. All rights reserved.

11

ML-030195_V2

12