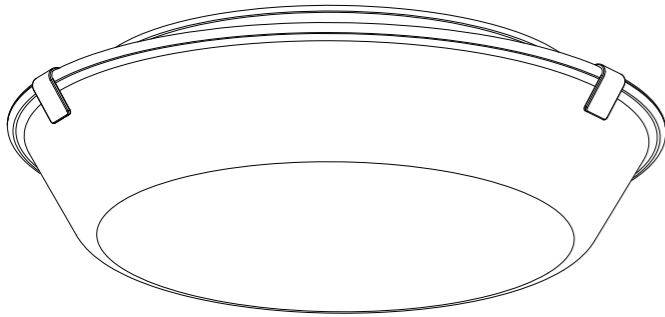


KODA™

FROSTED GLASS LED CEILING LIGHT

Model: LM030207
ITM. / ART. 1651474



IMPORTANT INFORMATION. PLEASE READ CAREFULLY AND RETAIN FOR FUTURE REFERENCE

For assistance with assembly, installation, parts or customer service, please contact us:

info@kodabuilt.com

1-866-294-9244, Monday to Friday, 8am to 5pm Pacific Time

2975 Red Hill Ave., Suite 100, Costa Mesa, CA 92626, USA

This Frosted Glass LED Ceiling Light is suitable for use in any indoor location (e.g. home, office, warehouse, workshop, garage, and etc.).

IMPORTANT SAFETY INSTRUCTIONS:

Please read the following safety information before use. To reduce risk of fire, electric shock, or injury to persons:

- This light fixture is intended to be installed utilizing a NEC compliant junction box.
- Turn OFF the main power at the fuse or circuit breaker before installing the light fixture or making any electrical connection.
- Make sure this light fixture is adequately grounded. To ensure proper grounding, there must be a separate ground wire (bare copper) contact between this light fixture and the ground connection of your main power supply panel. Do not connect the bare or green insulation fixture ground wire to the black (hot) current-carrying wire or the white (neutral) wire. Connection of the bare or green fixture ground wire to the black or white wires may cause metal parts of the fixture to carry electrical currents, and may cause electrical shock, which could cause serious injury or death.
- Do not connect this fixture to an electrical system that does not provide a means for equipment grounding. Never use a fixture in a two-wire system that is not grounded. Installing a fixture into an electrical system not having a proper grounding could cause metal parts of the fixture to carry electrical currents if any of the fixture wires, wire connections, or splices were to become broken, cut, or loose during the mounting or normal operation of the fixture. Under this condition, anyone coming in contact with the fixture would be subject to electrical shock, which could cause serious injury or death.
- CAUTION: A loose wire increases the risk of fire; tighten all connections securely.
- Do not suspend any fixture by the house wires. Suspending a fixture by the house wires and wire connectors may result in the fixture falling, possibly causing personal injury and the danger of electrical shock or fire.
- It is recommended that a qualified electrician perform all wiring connections. All electrical connections must be in accordance with all national and local electrical codes.
- This light fixture is designed for use in a 110 – 120VAC, 60Hz fuse circuit.
- For indoor use only. Suitable for damp locations.

WARNING:

- Failure to disconnect the power supply prior to installation may result in serious injury or death.
- LED light output is strong enough to injure human eyes. Precautions must be taken to prevent looking directly at the LEDs without installing the diffuser (cover) for more than a few seconds.
- If the light fixture is damaged, it shall be exclusively replaced by the manufacturer or the service agent or qualified person in order to avoid a hazard.
- Do not tamper with or attempt to repair the LED component or fixture. The light source is designed for this specific application and should not be serviced by untrained personnel. Contact the customer service department if any servicing is required.
- The warnings, precautions, and instructions discussed in this manual cannot cover all possible conditions and situations that may occur. The operator must understand that common sense and caution are factors which cannot be built into this product, but must be supplied by the operator.
- If using this light fixture in a damp location, this light fixture must be connected to a supply circuit that is protected by a Ground Fault Circuit Interrupter (GFCI) to reduce the risk of personal injury, electrical shock, or death.
- This device does not have a plug; rewiring is required. If you are unsure how to rewire this light, please contact a qualified electrician to install instead of attempting to rewire yourself.
- Power will still run to the light even after the LED lifespan runs out. Always shut the power from the fuse (breaker) when conducting any type of maintenance on the light.

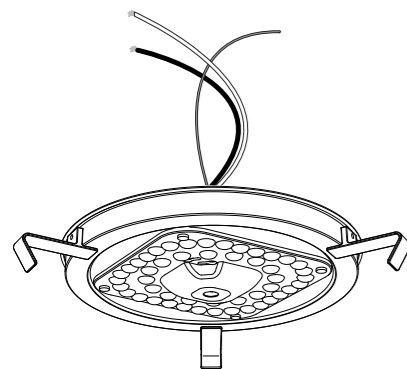
CLEANING:

- Clean the outside of the fixture with a soft, dry cloth or slightly dampened clean cloth. Never use a cleaner with chemicals, solvents, or harsh abrasives to clean the product.
- Do not spray cleaner directly onto any part of the fixture or LEDs as this may permanently damage the light or its functions.

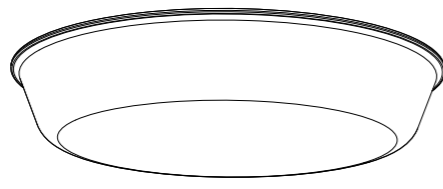
PACKAGE CONTAINS:

Please lay out all parts and read the instructions prior to installation.

Frosted Glass LED Ceiling Light:

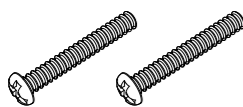


Light Fixture



Frosted Glass Cover

Installation Kit:

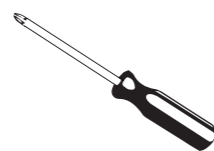


2 x Mounting Screws



3 x Wire Nuts

Tools Needed (not included):



Philips Head Screwdriver

PREPARATION

Carefully remove the light fixture and mounting package from the box and check that all parts are included using the contents diagrams below. Do not attempt to assemble the product if any part(s) is missing or damaged. Please contact Koda customer support if this is the case.

The outlet box described in this manual is not provided. A standard outlet box needs to be pre-installed in the ceiling, and the power supply wires running to the outlet box need to be rated 120Vac. If an outlet box does not exist, contact a qualified electrician for installation.

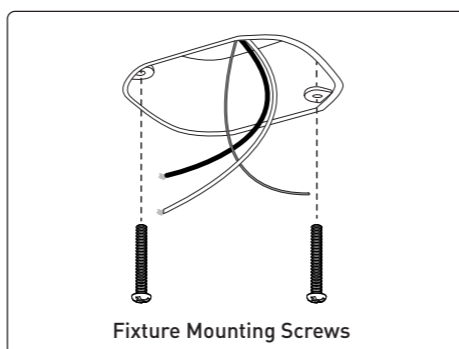
Turn OFF the main power at the fuse or circuit breaker before installing the light fixture or making any electrical connection. You may use a non-contact voltage tester to ensure no power running to the wires.

Warning: Failure to disconnect the power supply prior to installation may result in serious injury or death.

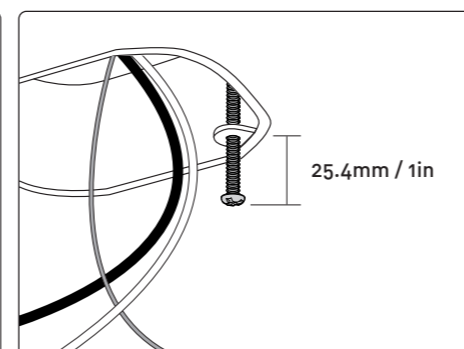
THIS PRODUCT MUST BE INSTALLED IN ACCORDANCE WITH THE APPLICABLE INSTALLATION CODE BY A PERSON FAMILIAR WITH THE CONSTRUCTION AND OPERATION OF THE PRODUCT AND THE HAZARDS INVOLVED

INSTALLATION PROCEDURE:

1. Install the mounting screws into the outlet box until there is about 25.4 mm / 1 in between the ceiling and underside of the screw head.



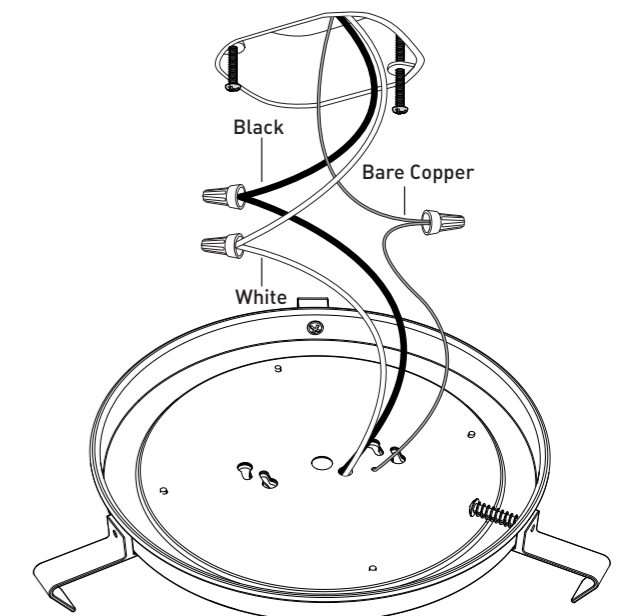
Fixture Mounting Screws



25.4mm / 1in

2

5



2. Make the following spliced wire connections using wire nuts:

- White (neutral) supply wire to the common/neutral wire from the outlet box (most likely white).
- Black (hot) supply wire to the hot wire from the outlet box (most likely black or colored).
- Bare copper (ground) supply wire to the ground wire from the outlet box (most likely bare copper, green wire, or green and yellow wire), or wrap around the ground screw if ground wire does not exist.

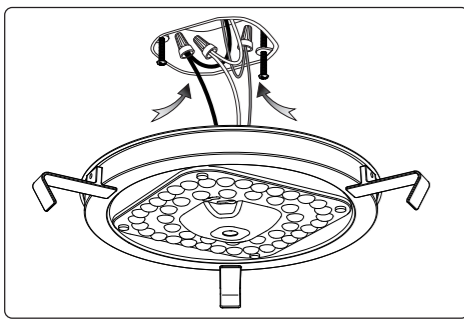
Screw the wire nuts in a clockwise direction. Make sure no bare wire or wire strands are visible after making the connections.

Consult with a qualified electrician if you have any electrical questions or if your current power supply does not include a ground wire.

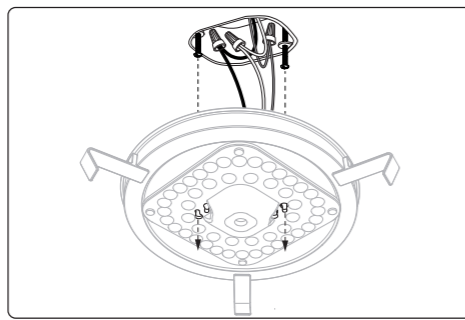
3

6

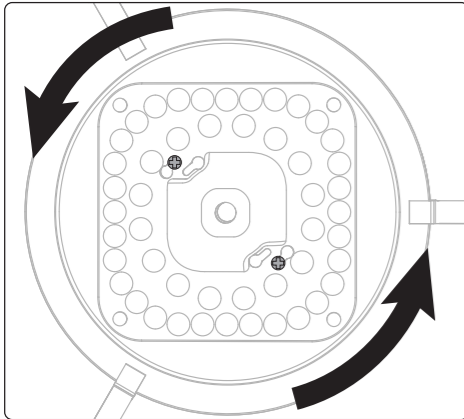
4



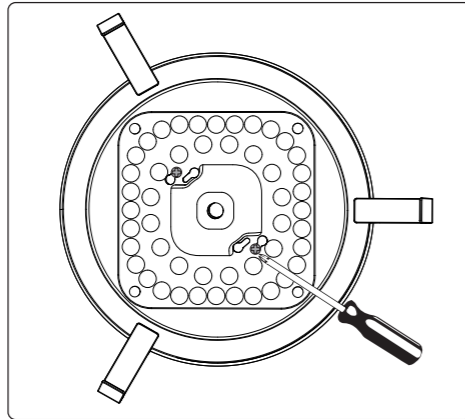
3. Carefully place all the wires and wire connections into the outlet box.



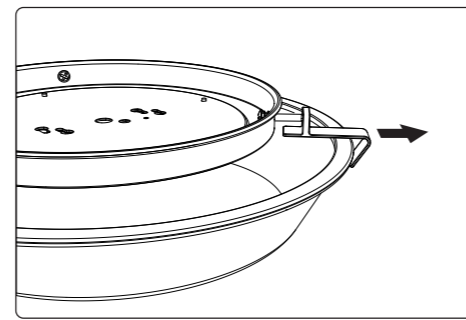
4. Place the light fixture over the outlet box and feed the mounting screws through the outer keyhole slots. There are two pairs of keyhole slots. Please choose the appropriate pair of keyhole slots to fit with the outlet box.



5. Rotate the light fixture counter-clockwise so that the mounting screws slide into the narrow ends of the keyhole slots.



6. Tighten the mounting screws with the screwdriver to ensure the light fixture is secured against the ceiling.



7. Pull out the clip with the spring, put the frosted glass cover in place and release the clip.

8. When the installation is finished, you can turn on the main power switch and the light will turn on. If the light does not turn on, please refer to the Troubleshooting section on page 10 of this manual.

WARRANTY:

This Koda product carries a 5-year warranty against defects in workmanship and materials subject to the conditions and additional warranty information available at: www.kodabuilt.com/warranty

DISCLAIMER OF WARRANTIES, INCLUDING WARRANTY OF MERCHANTABILITY AND WARRANTY OF FITNESS FOR PARTICULAR PURPOSE: EXCEPT AS SPECIFICALLY SET FORTH HEREIN, NO WARRANTY OR REPRESENTATION, EXPRESS OR IMPLIED, IS MADE AS TO THE KODA FROSTED GLASS LED CEILING LIGHT. KODA AND/OR ITS AFFILIATES EXPRESSLY DISCLAIMS, WITHOUT LIMITATION, ANY STATUTORY WARRANTIES AND ALL IMPLIED WARRANTIES, INCLUDING ANY IMPLIED WARRANTY OF MERCHANTABILITY OR FITNESS FOR A PARTICULAR PURPOSE.

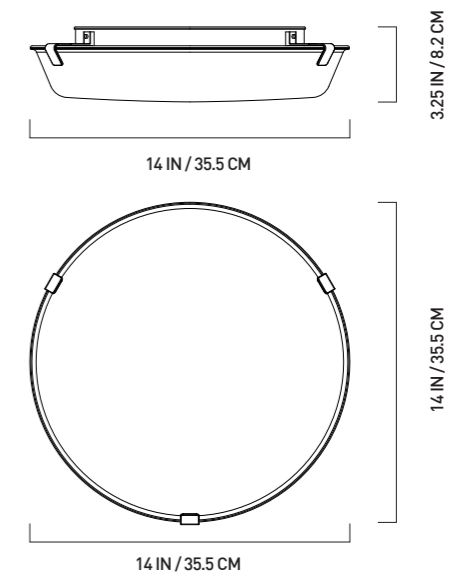
PRODUCT SPECIFICATIONS:

- Operating Voltage: 120 Vac, 60 Hz
 - Wattage: 24W
 - Light Output: 1700 LM (Main Light)
 - Color Temperature: 4000K
 - LED Life Cycles: up to 50,000 hours*
 - Operating Temperature: 0°C to 40°C / 32°F to 104°F
- *50,000-hour lifespan is for the LED only. Lifespan depends on operating temperature, environmental conditions, etc.

DIMMER SWITCH:

Most standard dimmers are compatible with this light. For a complete list of compatible dimmers, please visit www.kodabuilt.com.

DIMENSIONS:



TROUBLESHOOTING:

Problem	Possible Cause	Solution
Light does not illuminate. Light does not turn on.	Power is off.	Make sure power supply is on. Ensure the circuit breaker is in the on position as well.
	Faulty wire connection.	Check wiring to ensure all wires are correctly wired and are wired securely.
	Faulty switch.	Test and/or replace switch.
	End of life for the integrated LED.	Replace the LED Ceiling Light.
Fuse blows or circuit breaker trips when light is illuminated.	The wires are crossed (not wired properly) or the power wire is grounding out.	Turn power to the light off from the breaker. Check the wires to ensure the wires were properly connected. If everything looks correct, contact a qualified electrician to check your wires.
My junction box does not have a ground wire.	The junction box is already grounded.	Look for a ground screw inside the junction box. Wrap the ground wire from the LED Ceiling Light to that ground screw.

FCC COMPLIANCE STATEMENT:

Frosted Glass LED Ceiling Light
Model: LM030207
Responsible Party:
Koda
Address: 2975 Red Hill Ave., Ste. 100, Costa Mesa, CA 92626, USA
Tel: 1-866-294-9244

This device complies with Part 15 of the FCC rules. Operation is subject to the following two conditions: (1) this device may not cause harmful interference, and (2) this device must accept any interference received, including interference that may cause undesired operation.

Warning: Changes or modifications to this unit not expressly approved by the party responsible for compliance could void the user's authority to operate the equipment.

The manufacturer is not responsible for any radio or TV interference caused by unauthorized modifications or change to this equipment. Such modifications or change could void the user's authority to operate the equipment.

This equipment has been tested and found to comply with the limits for a Class B digital device, pursuant to part 15 of the FCC Rules. These limits are designed to provide reasonable protection against harmful interference in a residential installation. This equipment generates, uses and can radiate radio frequency energy and, if not installed and used in accordance with the instructions, may cause harmful interference to radio communications. However, there is no guarantee that interference will not occur in a particular installation. If this equipment does cause harmful interference to radio or television reception, which can be determined by turning the equipment off and on, the user is encouraged to try to correct the interference by one or more of the following measures:

- Reorient or relocate the receiving antenna.
- Increase the separation between the equipment and receiver.
- Connect the equipment into an outlet on a circuit different from that to which the receiver is connected.
- Consult the dealer or an experienced radio/TV technician for help.

MADE IN CHINA

Have a comment or question? Email us at info@kodabuilt.com or visit us online at www.KodaBuilt.com

KODA™

A Horizon Brands Company
2975 Red Hill Ave., Ste. 100, Costa Mesa, CA 92626, USA | Tel: 1-866-294-9244
© 2022 Koda. All rights reserved.