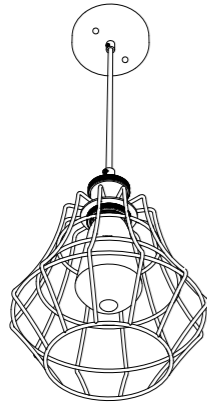


## FARMER SINGLE PENDANT LIGHT

Model: LM030224



### IMPORTANT INFORMATION.

#### PLEASE READ CAREFULLY AND RETAIN FOR FUTURE REFERENCE

For assistance with assembly, installation, parts or customer service, please contact us:

✉ info@kodabuilt.com

☎ 1-866-294-9244, Monday to Friday, 8am to 5pm Pacific Time

✉ 2975 Red Hill Ave., Suite 100, Costa Mesa, CA 92626, USA

#### Important Safety Instructions:

Please read the following safety information before attempting to assemble, operate or install the product. To reduce risk of fire, electric shock, or injury to persons:

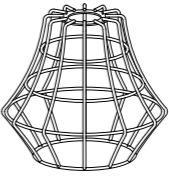
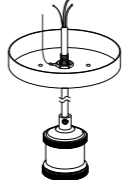
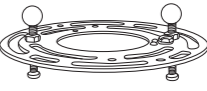



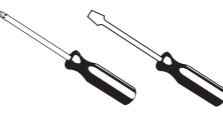


- **CAUTION:** Turn OFF the main power at the fuse or circuit breaker before installing the lighting fixture or making any electrical connection. You may use a non-contact voltage tester to ensure no power is running to the wires.
- **CAUTION:** Risk of fire. Min. 90°C supply conductors. Consult a qualified electrician to ensure correct branch circuit conductor.
- **WARNING:** If any special control devices are used with this fixture, follow instructions carefully to assure full compliance with N.E.C. requirements. If there are any questions, contact a qualified electrical contractor.
- Make sure this lighting fixture is adequately grounded. To ensure proper grounding, there must be a separate ground wire (bare copper) contact between this lighting fixture and the ground connection of your main power supply panel. Do not connect the bare or green insulation fixture ground wire to the black (hot) current-carrying wire or the white (neutral) wire. Connection of the bare or green fixture ground wire to the black or white wires may cause metal parts of the fixture to carry electrical currents, and may cause electrical shock, which could cause serious injury or death.
- Do not connect this fixture to an electrical system that does not provide a means for equipment grounding. Never use a fixture in a two-wire system that is not grounded. Installing a fixture into an electrical system not having a proper grounding could cause metal parts of the fixture to carry electrical currents if any of the fixture wires, wire connections, or splices were to become broken, cut, or loose during the mounting or normal operation of the fixture. Under this condition, anyone coming in contact with the fixture would be subject to electrical shock, which could cause serious injury or death.
- **CAUTION:** A loose wire increases the risk of fire; tighten all connections securely.
- Do not suspend any fixture by the house wires. Suspending a fixture by the house wires and wire connectors may result in the fixture falling, possibly causing personal injury and the danger of electrical shock or fire.
- The fixture must be installed by qualified electrician. All electrical connections must be in accordance with all national and local electrical codes
- **CAUTION:** All glass is fragile. Use care when handling glass shades and bulbs.

#### PREPARATION

Carefully remove the lighting fixture, LED bulb and mounting accessories from the box, and check that all parts are included using the contents diagrams below. Do not attempt to assemble the product if any part(s) is missing or damaged. Please contact Koda customer support if this is the case.

#### PACKAGE CONTAINS:

Please lay out all parts and read the instructions prior to installation.

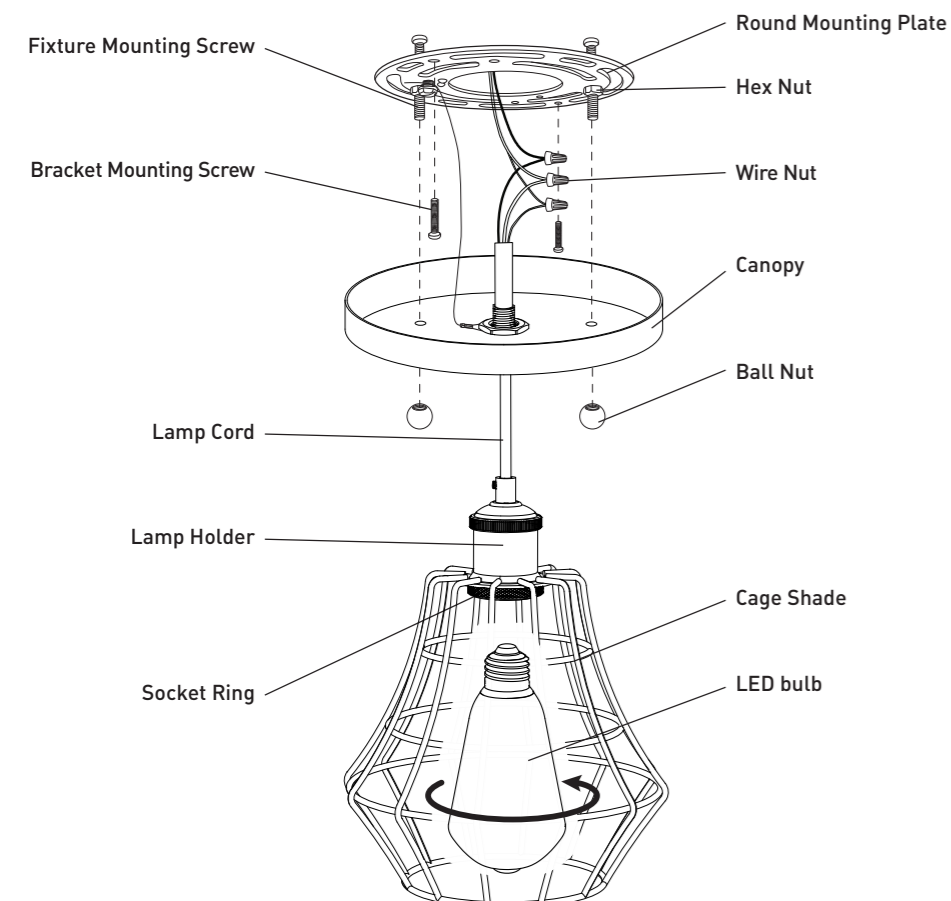
<p><b>Farmer Single Pendant Light:</b></p>  <p>1 x Cage Shade</p>  <p>1 x Canopy, Lamp Cord, Lamp Holder and Socket Ring</p>	<p><b>Installation Kit:</b></p>  <p>1 x Round Mounting Plate, 2 x Fixture Mounting Screws, 2 x Hex Nuts with 2 x Ball Nuts</p>  <p>2 x Bracket Mounting Screws</p>  <p>3 x Wire Nuts</p>	<p><b>LED Bulb:</b></p>  <p>1 x LED Bulb</p>
<p><b>Tools Needed (not included):</b></p>  <p>Philips and Flat Head Screwdrivers</p>  <p>Wire Stripper</p>  <p>Safety Glasses</p>		

2

3

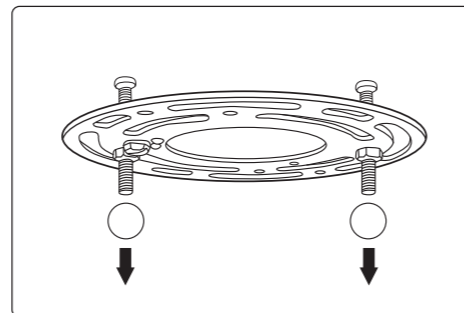
THIS PRODUCT MUST BE INSTALLED IN ACCORDANCE WITH THE APPLICABLE INSTALLATION CODE BY A PERSON FAMILIAR WITH THE CONSTRUCTION AND OPERATION OF THE PRODUCT AND THE HAZARDS INVOLVED

#### INSTALLATION:

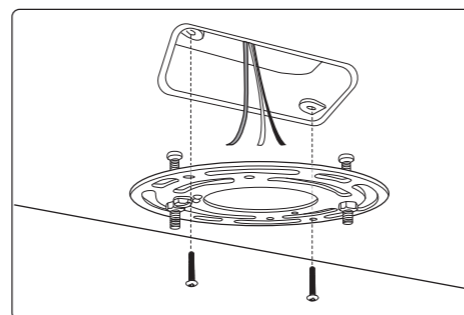


4

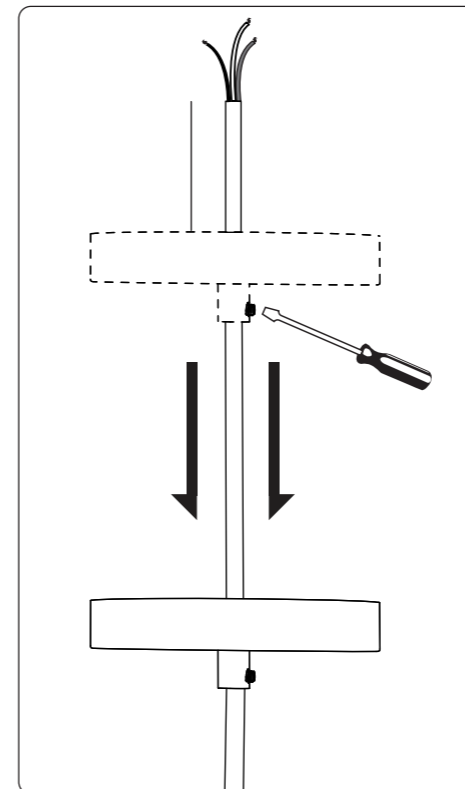
#### INSTALLATION PROCEDURE:



1. Loosen and remove the Ball Nuts from the Round Mounting Plate, set them aside.

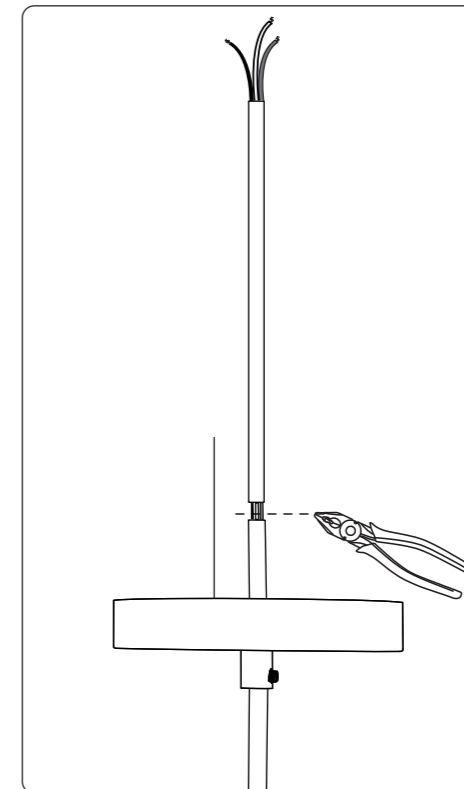


2. Pull the power supply wires out from the outlet box and install the Round Mounting Plate to the outlet box using the Bracket Mounting Screws included.

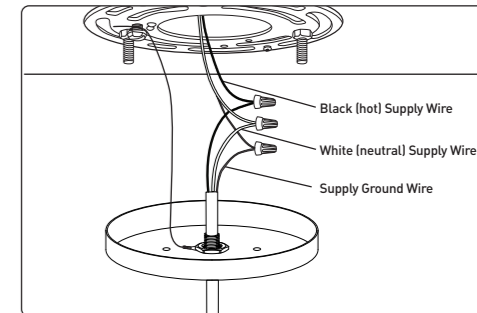


3. Loosen the flat head screw on the Canopy and adjust the Lamp Cord to your desired length.

5



4. Cut the excessive length of the Lamp Cord with a Wire Stripper and reserve a length above the Canopy enough for the hardwire connection.



5. Make the following spliced wire connections using wire nuts:

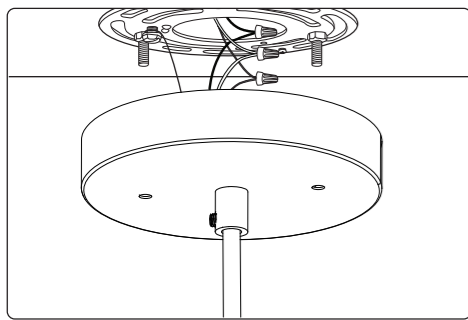
Black (hot) wire to the hot supply wire (most likely black or colored).

White (neutral) wire to the neutral supply wire (most likely white).

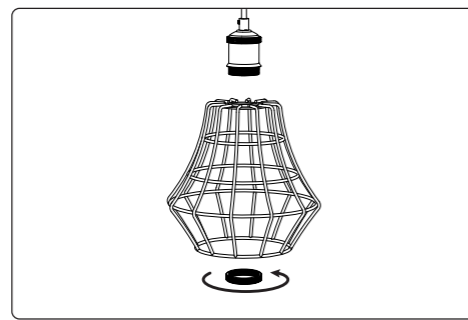
Bare copper (ground) wire to the supply ground wire (most likely bare copper, green wire, or green and yellow wire), or wrap around the ground screw if ground wire does not exist.

Screw the wire nuts in a clockwise direction until tight. Make sure no bare wire or wire strands are visible after making the connections. Check for tightness by pulling wires.

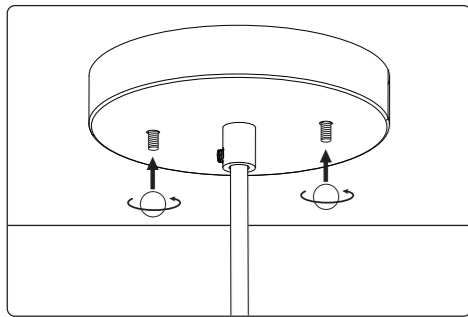
6



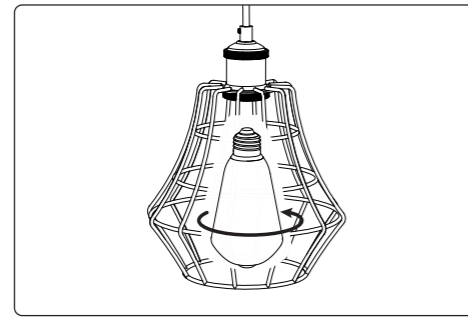
6. Place the Canopy over the outlet box and feed the Fixture Mounting Screws through the canopy openings. Adjust the Fixture Mounting Screws through the nuts until there is enough protrusion out from the Canopy.



8. Rotate counter clockwise to remove the socket ring from the lamp holder. Attach the cage housing to the lamp holder and rotate clockwise to lock the Socket Ring back to the Lamp Holder.



7. Insert the Ball Nuts towards thread of the Fixture Mounting Screws and tighten.



9. Insert the LED blub.

**CARE AND MAINTENANCE:**

Shut off main power supply before cleaning product or changing light bulbs. To clean, wipe with damp cloth. Do not use abrasive cleaners or cleaners that contain alcohol.

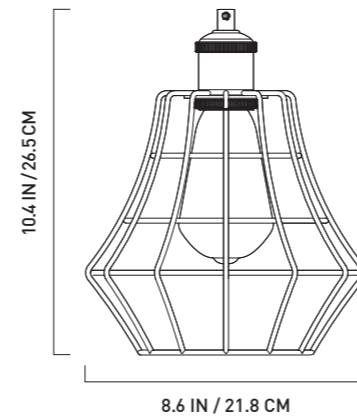
**DIMMER SWITCH:**

Most standard dimmers are compatible with this light. For a complete list of compatible dimmers, please visit [www.kodabuilt.com](http://www.kodabuilt.com).

**PRODUCT SPECIFICATIONS:**

Operating Voltage: 120 Vac, 60Hz  
 Compatible with incandescent light bulb of 120V, 60W MAX, E26 base  
 LED Bulb(s) (included): 600 lumen each, 2200K, 7W

**DIMENSIONS:**



**TROUBLESHOOTING:**

Problem	Possible Cause	Solution
The light does not come on.	The light wall switch is turned off.	Turn the light wall switch on.
	The fuse is blown or the circuit breaker is turned off.	Replace the fuse or ensure the circuit breaker is turned on.
	Faulty wire connection.	Check all wiring to ensure they are correctly and securely wired.

**Important Safety Instructions:**

Warranty:  
Koda

This Koda product carries a 5-year warranty against defects in workmanship and materials. This product is not guaranteed against wear or breakage due to misuse and/or abuse.

NOTE: Warranty only applies for North American customers of purchases made in North America.

**Conditions of Warranty**

If during the 5-year warranty period your new product is found to be defective, Koda will repair such defect, or replace the product, without charge for parts or labor subject to the following conditions:

- All repairs must be performed by Koda.
- All warranty claims must be accompanied by a copy of the sales receipt or bill of sale.
- The equipment must not have been altered or damaged through negligence, accident, improper operation, or failure to follow the product instructions for installation, use, or care.
- The replacement of parts is excluded from the warranty when replacement is necessary due to normal wear and tear.
- Repair or replacement parts supplied by Koda under this warranty are protected only for the unexpired portion of the original warranty.
- This is a "repair or replace" warranty only, and does not cover the costs incurred for the installation, removal or re-installation of the product.

OWNER'S RESPONSIBILITIES: Koda will make every effort to provide warranty service within a reasonable period of time. SHOULD YOU HAVE ANY QUESTIONS ABOUT SERVICE RECEIVED OR IF YOU WOULD LIKE ASSISTANCE IN OBTAINING SERVICE, PLEASE CALL TOLL FREE 1.866.294.9244 DURING REGULAR BUSINESS HOURS MONDAY THROUGH FRIDAY 8:00 AM TO 5:00 PM PST.

NOTE: Toll Free # is for North America Customers ONLY. See Customer service section for customer contact numbers for other regions/offices.

For customer service and technical support, please call us at 1.866.294.9244 or email us at [info@kodabuilt.com](mailto:info@kodabuilt.com). If at that time it is determined that a replacement unit is needed, the support representative will issue a Return Authorization and instruct on how to get a new unit. Koda makes no other warranty of any kind aside from the limited express warranty stated herein.

DISCLAIMER OF WARRANTIES, INCLUDING WARRANTY OF MERCHANTABILITY AND WARRANTY OF FITNESS FOR PARTICULAR PURPOSE: EXCEPT AS SPECIFICALLY SET FORTH HEREIN, NO WARRANTY OR REPRESENTATION, EXPRESS OR IMPLIED, IS MADE AS TO THE KODA OUTDOOR LED COACH LIGHT. KODA AND/OR ITS AFFILIATES EXPRESSLY DISCLAIMS, WITHOUT LIMITATION, ANY STATUTORY WARRANTIES AND ALL IMPLIED WARRANTIES, INCLUDING ANY IMPLIED WARRANTY OF MERCHANTABILITY OR FITNESS FOR A PARTICULAR PURPOSE.

MADE IN VIETNAM

Have a comment or question? Email us at [info@kodabuilt.com](mailto:info@kodabuilt.com) or visit us online at [www.KodaBuilt.com](http://www.KodaBuilt.com)



A Horizon Brands Company  
 2975 Red Hill Ave., Ste. 100, Costa Mesa, CA 92626, USA | Tel: 1-866-294-9244  
 © 2022 Koda. All rights reserved.