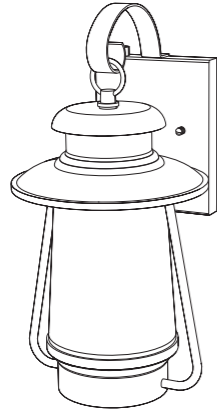


KODA™ OUTDOOR LED WALL LANTERN

Model: LM030338



IMPORTANT INFORMATION.

PLEASE READ CAREFULLY AND RETAIN FOR FUTURE REFERENCE

For assistance with assembly, installation, parts or customer service, please contact us:

✉ info@kodabuilt.com

☎ 1-866-294-9244, Monday to Friday, 8am to 5pm Pacific Time

✉ 2975 Red Hill Ave., Suite 100, Costa Mesa, CA 92626, USA

Important Safety Instructions:

Please read the following safety information before attempting to assemble, operate or install the product. To reduce risk of fire, electric shock, or injury to persons:

- **CAUTION:** Turn OFF the main power at the fuse or circuit breaker before installing the light fixture or making any electrical connection. You may use a non-contact voltage tester to ensure no power is running to the wires. Failure to do so may result in serious injury or death.
- **CAUTION:** Risk of fire Min. 90°C supply conductors. Consult a qualified electrician to ensure correct branch circuit conductor.
- **WARNING:** If any special control devices are used with this fixture, follow instructions carefully to assure full compliance with N.E.C. requirements. If there are any questions, contact a qualified electrical contractor.
- Make sure this lighting fixture is adequately grounded. To ensure proper grounding, there must be a separate ground wire (bare copper) contact between this lighting fixture and the ground connection of your main power supply panel. Do not connect the bare or green insulation fixture ground wire to the black (hot) current-carrying wire or the white (neutral) wire. Connection of the bare or green fixture ground wire to the black or white wires may cause metal parts of the fixture to carry electrical currents.
- Do not connect this lighting fixture to an electrical system that does not provide a means for equipment grounding. Never use a fixture in a two-wire system that is not grounded. Installing a fixture into an electrical system without a proper grounding could cause metal parts of the fixture to carry electrical currents if any of the fixture wires, wire connections, or splices were to be broken, cut, or loose during the mounting or normal operation of the fixture. Under this condition, anyone coming in contact with the fixture would be subject to electrical shock, which could cause serious injury or death.
- **CAUTION:** A loose wire increases the risk of fire; tighten all connections securely.
- Do not suspend any fixture by the house wires. Suspending a fixture by the house wires and wire connectors may result in the fixture falling, possibly causing personal injury from electrical shock or fire.
- **CAUTION:** All glass is fragile. Use care when handling glass shades and bulbs.
- The lighting fixture must be installed by qualified electrician. All electrical connections must be in accordance with all national and local electrical codes.
- This light fixture is designed for use in a 110 – 120VAC, 60Hz fuse circuit. Do not connect to any dimmers or dimming circuits.
- For outdoor use.

2

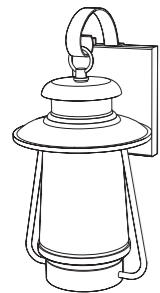
PREPARATION

- Carefully remove the lighting fixture, LED bulb and mounting accessories from the box, and check that all parts are included using the contents diagrams below. Do not attempt to assemble the product if any part(s) is missing or damaged. Please contact Koda customer support if this is the case.
- The outlet box described in this manual is not provided. A standard outlet box needs to be pre-installed in the exterior wall, and the power supply wires running to the outlet box need to be rated 120VAC. If an outlet box does not exist, contact a qualified electrician for installation.

3

PACKAGE CONTAINS:

Please lay out all parts and read the instructions prior to installation.

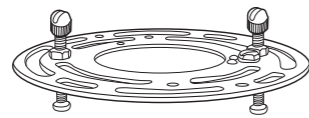


1 x Outdoor LED Wall Lantern



1 x Energy Star Certified LED Filament Bulb

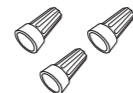
Installation Kit:



1 x Mounting Plate kit



2 x Bracket Mounting Screws

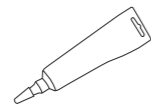


3 x Wire Nuts

Tools Needed (not included):



#2 Phillips Head Screwdriver

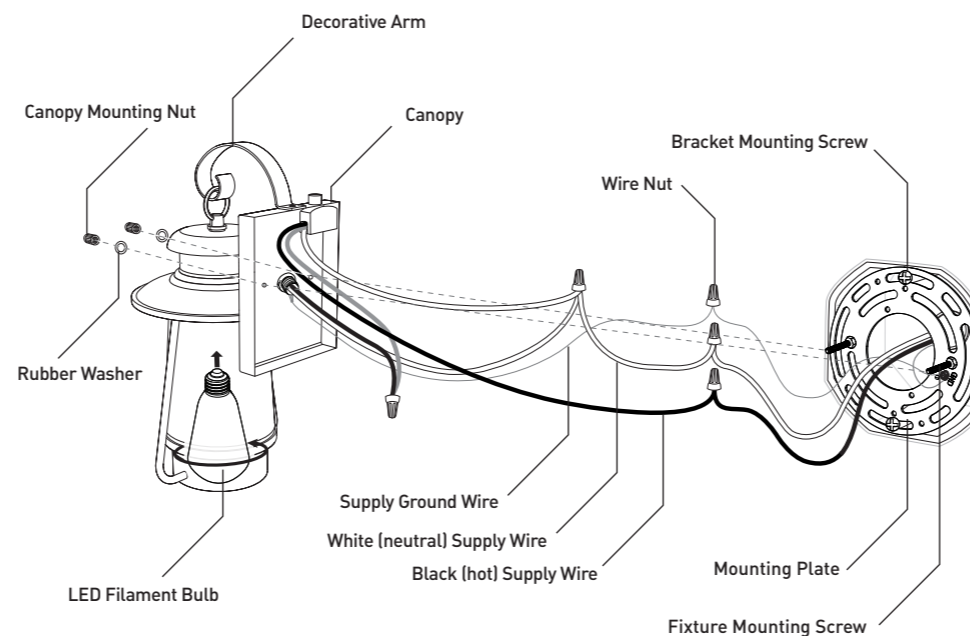


Silicone Sealant

4

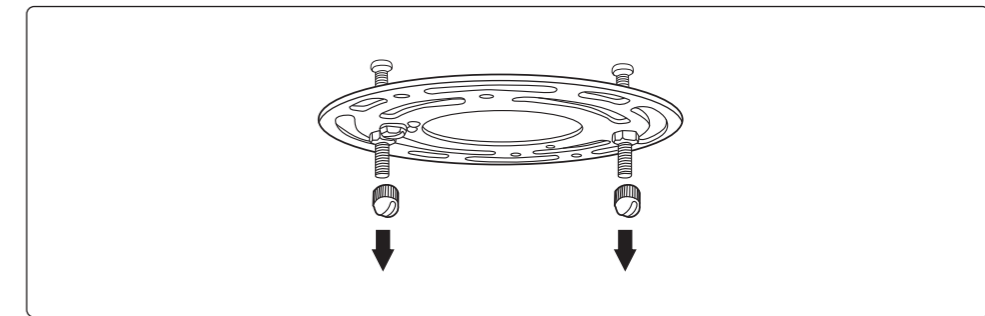
THIS PRODUCT MUST BE INSTALLED IN ACCORDANCE WITH THE APPLICABLE INSTALLATION CODE BY A PERSON FAMILIAR WITH THE CONSTRUCTION AND OPERATION OF THE PRODUCT AND THE HAZARDS INVOLVED.

INSTALLATION:

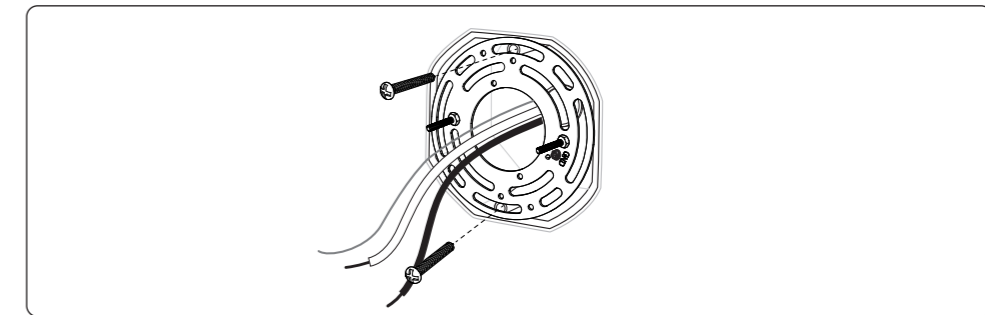


5

INSTALLATION PROCEDURE:

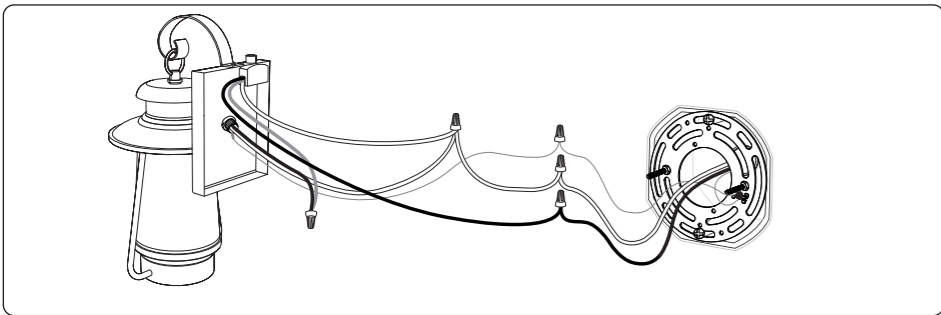


1. Loosen and remove the Ball Nuts from the Round Mounting Plate, set them aside.

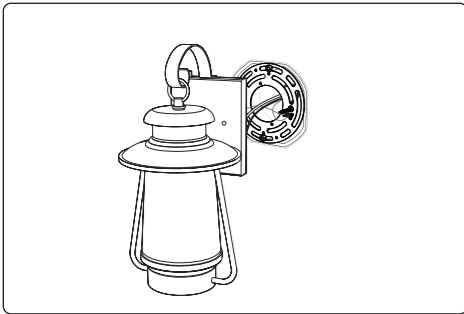


2. Pull the power supply wires out from the outlet box and install the Round Mounting Plate to the outlet box using the Bracket Mounting Screws included.

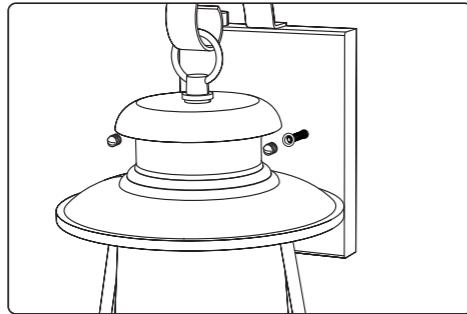
6



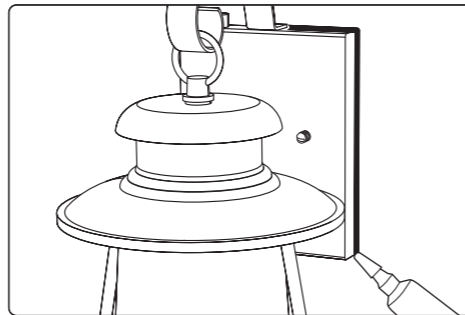
4. Make the following spliced wire connections using wire nuts: Black (hot) wire to the hot supply wire (most likely black or colored). White (neutral) wire to the neutral supply wire (most likely white). Bare copper (ground) wire to the supply ground wire (most likely bare copper, green wire, or green and yellow wire), or wrap around the ground screw if ground wire does not exist. Screw the wire nuts in a clockwise direction until tight. Make sure no bare wire or wire strands are visible after making the connections. Check for tightness by pulling wires.



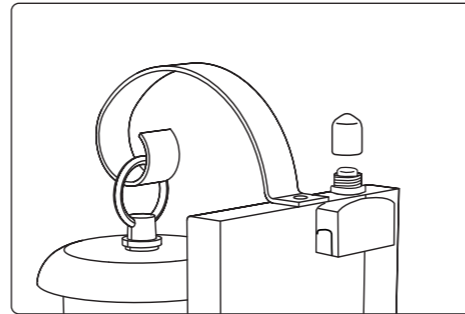
5. Attach the Canopy towards the outlet box and feed the Fixture Mounting Screws through the canopy openings. Adjust the Fixture Mounting Screws through the nuts until there is enough protrusion out from the Canopy.



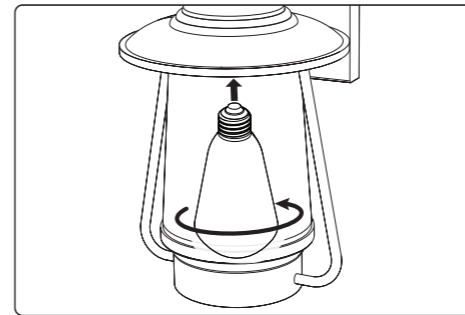
6. Place the Canopy over the Outlet Box with Fixture Mounting Screws feeding through the openings. Install the Rubber Washers first, then install the Canopy Mounting Nuts.



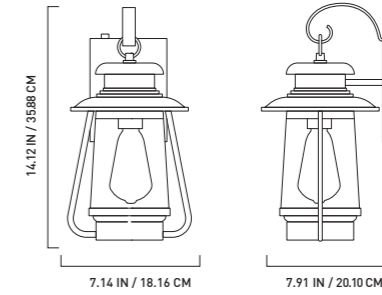
7. After installing the fixture, caulk the upper 3/4 of canopy to the mounting surface with silicone sealant (not included). The sealing compound should fully fill the gap of canopy and mounting surface. Leave the bottom 1/4 un-caulked to allow drainage of any water that might leak into the enclosure.



9. (Optional) Activate the Dusk-to-Dawn feature by removing the Photocell Cap.



8. Insert the LED Bulb.



PRODUCT SPECIFICATIONS:

Operating Voltage: 120 Vac, 60 Hz
Compatible with an incandescent light bulb of 120 V, 60 W MAX, E26 base
LED Bulb (included): 800 lumens, 3000K, 7W (not to use with dimmer)

TROUBLESHOOTING:

Problem	Possible Cause	Solution
The light does not come on.	The light wall switch is turned off.	Turn on the light wall switch.
	The fuse is blown or the circuit breaker is turned off.	Replace the fuse or ensure the circuit breaker is turned on.
	Faulty wire connection.	Check all wiring to ensure they are correctly and securely wired.
The light does not come on during night or stays on during daytime	Dirty or obstructed Light Sensor	Clean the Light Sensor
	The Light Sensor is obscured or interfered by other light sources, such as street light	Cover the Light Sensor and turn on and off the light manually
	The Photocell Cap on the Light Sensor blocks the light source, causing the Dusk-to-Dawn feature keeps the light on.	Remove the Photocell Cap from the Light Sensor.

Warranty:

This Koda product carries a 5-year warranty against defects in workmanship and materials subject to the conditions and additional warranty information available at: www.kodabuilt.com/warranty

DISCLAIMER OF WARRANTIES, INCLUDING WARRANTY OF MERCHANTABILITY AND KODA WARRANTY OF FITNESS FOR PARTICULAR PURPOSE: EXCEPT AS SPECIFICALLY SET FORTH HEREIN, NO WARRANTY OR REPRESENTATION, EXPRESS OR IMPLIED, IS MADE AS TO THE LED WALL LANTERN. KODA AND/OR ITS AFFILIATES EXPRESSLY DISCLAIMS, WITHOUT LIMITATION, ANY STATUTORY WARRANTIES AND ALL IMPLIED WARRANTIES, INCLUDING ANY IMPLIED WARRANTY OF MERCHANTABILITY OR FITNESS FOR A PARTICULAR PURPOSE.

MADE IN CHINA

Have a comment or question? Email us at info@kodabuilt.com or visit us online at www.KodaBuilt.com

KODA™

A Horizon Brands Company
2975 Red Hill Ave., Ste. 100, Costa Mesa, CA 92626, USA | Tel: 1-866-294-9244
© 2022 Koda. All rights reserved.