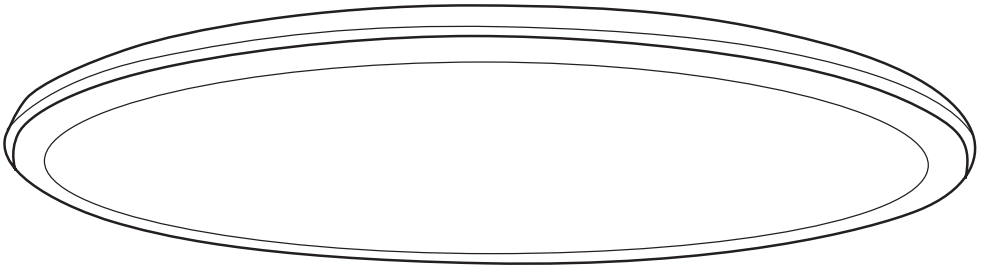


KODA™

32" OVAL LED CEILING LIGHT

Model: LM030061

CARE & USE INSTRUCTIONS



IMPORTANT INFORMATION. PLEASE READ CAREFULLY AND RETAIN FOR FUTURE REFERENCE.

For assistance with assembly, installation, parts or customer service, please contact us:



info@kodabuilt.com



1-866-294-9244, Monday to Friday, 8am to 5pm Pacific Time



2975 Red Hill Ave., Suite 100, Costa Mesa, CA 92626, USA

IMPORTANT SAFETY INSTRUCTIONS AND PRODUCT INFORMATION:

WARNING - To reduce risk of fire, electric shock, or personal injury:

- This light fixture is intended to be installed utilizing a NEC compliant junction box.
- Turn OFF the main power at the fuse or circuit breaker before installing the light fixture or making any electrical connection.
- To ensure proper grounding, the ground wire as provided must contact between this light fixture indicated with grounding mark and the ground connection of your main power supply panel. Do not connect the bare or green insulation fixture ground wire to the black (hot) current-carrying wire or the white (neutral) wire. Connection of the bare or green fixture ground wire to the black or white wires may cause metal parts of the fixture to carry electrical currents, and may cause electrical shock, which could cause serious injury or death.
- **CAUTION:** A loose wire increases the risk of fire; tighten all connections securely.
- Do not suspend any fixture by the house wires. Suspending a fixture by the house wires and wire connectors may result in the fixture falling, possibly causing personal injury and the danger of electrical shock or fire.
- It is recommended that a qualified electrician perform all wiring connections. All electrical connections must be in accordance with all national and local electrical codes.
- This light fixture is designed for use in a 110 – 120VAC, 60Hz fuse circuit.
- Failure to disconnect the power supply prior to installation may result in serious injury or death.
- LED light output is strong enough to injure human eyes. Precautions must be taken to prevent looking directly at the LEDs without installing the diffuser (cover) for more than a few seconds.
- If the light fixture is damaged, it shall be exclusively replaced by the manufacturer or the service agent or qualified person in order to avoid a hazard.
- Do not tamper with or attempt to repair the LED component or fixture. The light source is designed for this specific application and should not be serviced by untrained personnel. Contact the Koda Customer Service team if any servicing is required.
- The warnings, precautions, and instructions discussed in this manual cannot cover all possible conditions and situations that may occur. The operator must understand that common sense and caution are factors which cannot be built into this product, but must be managed by the operator.
- If using this light fixture in a damp location, this light fixture must be connected to a supply circuit that is protected by a Ground Fault Circuit Interrupter (GFCI) to reduce the risk of personal injury, electrical shock, or death.
- This device does not have a plug; rewiring is required. If you are unsure how to rewire this light, please contact a qualified electrician to install instead of attempting to rewire yourself.
- Power will still run to the light even after the LED lifespan runs out. Always shut the power from the fuse (breaker) when conducting any type of maintenance on the light.
- For indoor use only. Suitable for damp locations.

CLEANING:

- Clean the outside of the fixture with a soft, dry cloth or slightly dampened clean cloth. Never use a cleaner with chemicals, solvents, or harsh abrasives to clean the product.
- Do not spray cleaner directly onto any part of the fixture or LEDs as this may permanently damage the light or its functions.

PACKAGE CONTAINS:

Please lay out all parts and read the instructions prior to installation.



1 x 32" Oval LED Ceiling Light

Installation Kit:



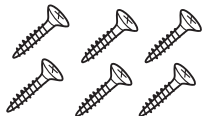
2 x Junction Box Screws



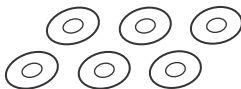
6 x Plastic Anchors



6 x Drywall Screws



6 x Wood Screws



6 x Washers



3 x Wire Nuts

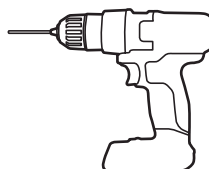
Tools Needed (not included):



#2 Phillips-Head Screwdriver



Safety Glasses



Drill Gun with 7/64 inch
and 7/32 inch drill bit

BEFORE INSTALLATION:

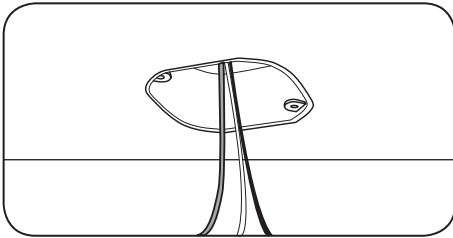
Carefully remove the light fixture and installation kit from the box and check that all parts are included. Do not attempt to assemble the product if any part is missing or damaged. Please contact the Koda Customer Service team first.

The outlet box described in this manual is not provided. A standard outlet box needs to be pre-installed in the ceiling and the power supply wires running to the outlet box need to be rated 120Vac. If an outlet box does not exist, contact a qualified electrician for installation.

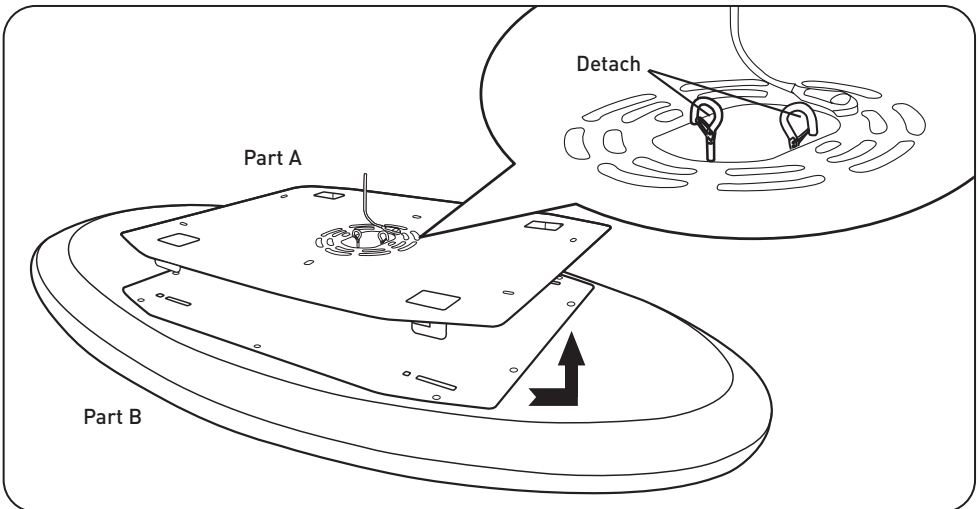
Turn OFF the main power at the fuse or circuit breaker before installing the light fixture or making any electrical connection. You may use a non-contact voltage tester to ensure no power running to the wires.

Warning: Failure to disconnect the power supply prior to installation may result in serious injury or death.

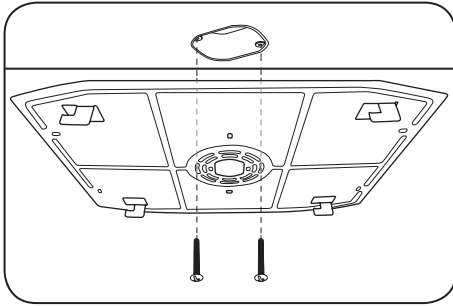
INSTALLATION PROCEDURE:



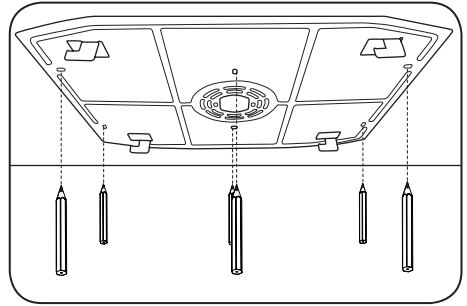
1. If you plan to install the ceiling light to an existing outlet box, make sure there is enough room to for the fixture before installing. Make sure the wood or drywall surface is strong enough to support the light.



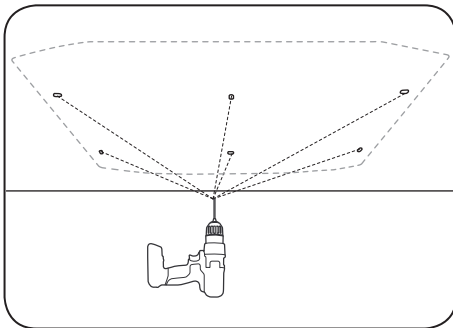
2. Slide the mounting plate (Part A) to detach it from the ceiling light (Part B). Lift the mounting plate, reach under it to detach the wire hooks, and then remove the mounting plate completely.



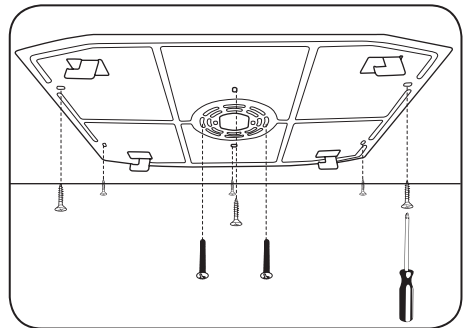
3. Install the mounting plate temporarily onto the outlet box with the junction box screws. Make sure the orientation of the mounting plate is correct so that the ceiling light can be attached to it correctly.



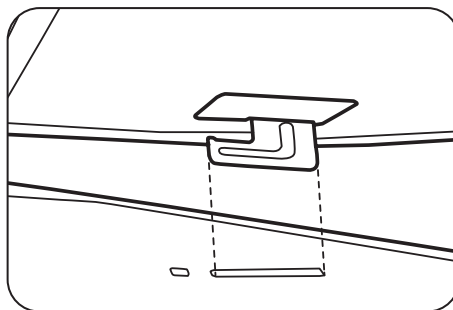
4. Mark the ceiling with a pencil where the 6 support screw holes are located. Unscrew the outlet box screws and remove the mounting plate.



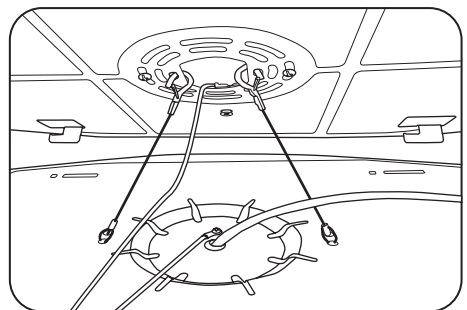
5. Wear safety glasses before drilling pilot holes. Drill 6 pilot holes with 7/64 inch diameter. All 6 attachment points plus the 2 screws connecting to outlet box are to be used.



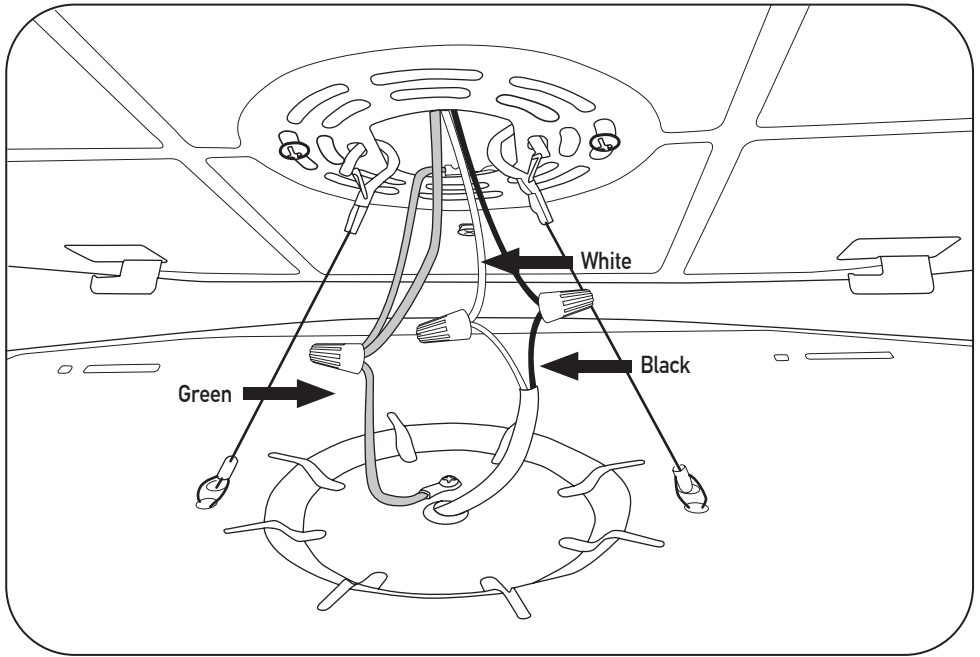
6. Install the mounting plate onto the outlet box, with the junction box screws once again. Make sure the orientation of the mounting plate is correct. Secure the mounting plate with 6 wood screws into the pilot holes.
 Note: For concrete or drywall, you may use drywall screws along with plastic anchors instead of wood screws. Use 7/32 pilot drill for plastic anchors.



7. Place the ceiling light under the mounting plate. Make sure the arrow label points to the same direction as the label on the mounting plate.



8. Connect the wire hooks from the ceiling light back to the mounting plate.

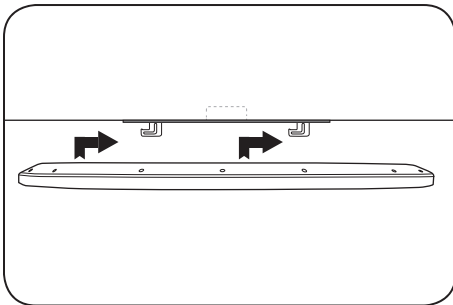


9. Make the following spliced wire connections using wire nuts:

- White (neutral) supply wire to the common/neutral wire from the outlet box (most likely white).
- Black (hot) supply wire to the hot wire from the outlet box (most likely black or colored).
- Green (ground) supply wire and mounting plate green wire to the ground wire from the outlet box (most likely bare copper, green wire, or green and yellow wire), or wrap around the ground screw if ground wire does not exist.

Screw the wire nuts in a clockwise direction. Ensure no bare wire or wire strands are visible after making the connections.

Warning: Never connect the ground wire to the hot or neutral power supply wires.



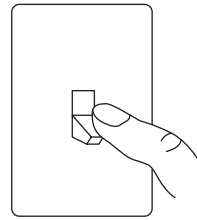
10. Locate the slots on the ceiling light and the metal anchors on the mounting plate.

Align the slots on the ceiling light to the metal anchors on the mounting plate.

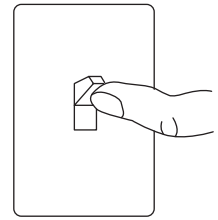
Follow the arrow direction and slide the ceiling light towards the mounting plate and secure it in place using the metal anchors.

ADJUSTING THE COLOR TEMPERATURE:

To change the color temperature between a warm white light (2700K) or a natural white light (4000K), flip your light switch off for 1 second, then back on. You need to flip the switch within 5 seconds of being off otherwise the color temperature will remain the same.



1. Turn the switch OFF for 1 second



2. Turn the switch back ON

DIMMER SWITCH:

Most standard dimmers are compatible with this light. For a complete list of compatible dimmers, please visit www.kodabuilt.com.

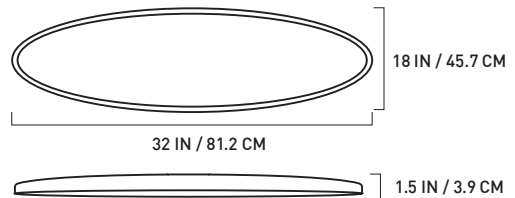
PRODUCT SPECIFICATIONS:

- Operating Voltage: 120 Vac, 60 Hz
- Wattage: 50 W
- Light Output: 3500 lumens
- Color Temperature: 2700K / 4000K
- LED Life Cycle: up to 50,000 hours*
- Color Accuracy / CRI: 80
- Operating Temperature: 0°C to 40°C / 32°F to 104°F

*50,000-hour lifespan is for the LED only. Lifespan depends on operating temperature, environmental conditions, etc.



This product is ETL/cETL Listed



TROUBLESHOOTING:

Problem	Possible Cause	Solution
Light does not illuminate.	Power is off.	Ensure the power supply and circuit breaker are both set to the on position.
Light does not turn on.	Faulty wire connection.	Check wiring to ensure all wires are correctly in place and secured.
	Faulty light switch.	Test and/or replace switch.
	End of life for the integrated LED.	Replace the light.
Fuse blows or circuit breaker trips when light is illuminated.	Turn off the circuit breaker supplying power to the light fixture. Check the wires and ensure they are properly connected and secured in place. Turn the circuit breaker back on and test the light. If the wiring looked correct and the light still isn't functioning, please contact a qualified electrician to check the condition of your wires.	Turn power to the light off from the breaker. Check the wires to ensure the wires were properly connected. If everything looks correct, contact a qualified electrician to check your wires.
My junction box does not have a ground wire.	The junction box is already grounded.	Look for a ground screw inside the junction box. Wrap the ground wire from the light to that ground screw.

Warranty:

This Koda product carries a 5-year warranty against defects in workmanship and materials subject to the conditions and additional warranty information available at:

www.kodabuilt.com/warranty

DISCLAIMER OF WARRANTIES, INCLUDING WARRANTY OF MERCHANTABILITY AND WARRANTY OF FITNESS FOR PARTICULAR PURPOSE: EXCEPT AS SPECIFICALLY SET FORTH HEREIN, NO WARRANTY OR REPRESENTATION, EXPRESS OR IMPLIED, IS MADE AS TO THE LED CEILING LIGHT. KODA AND/OR ITS AFFILIATES EXPRESSLY DISCLAIMS, WITHOUT LIMITATION, ANY STATUTORY WARRANTIES AND ALL IMPLIED WARRANTIES, INCLUDING ANY IMPLIED WARRANTY OF MERCHANTABILITY OR FITNESS FOR A PARTICULAR PURPOSE.

FCC / IC Compliance Statement:

32" Oval LED Ceiling Light

Model: LM030061

Responsible Party:

Koda

Address: 2975 Red Hill Ave., Ste. 100, Costa Mesa, CA 92626, USA

Tel: 1-866-294-9244

This device complies with Part 15 of the FCC rules. Operation is subject to the following two conditions: (1) this device may not cause harmful interference, and (2) this device must accept any interference received, including interference that may cause undesired operation.

Warning: Changes or modifications to this unit not expressly approved by the party responsible for compliance could void the user's authority to operate the equipment.


The manufacturer is not responsible for any radio or TV interference caused by unauthorized modifications or change to this equipment. Such modifications or change could void the user's authority to operate the equipment.

This equipment has been tested and found to comply with the limits for a Class B digital device, pursuant to part 15 of the FCC Rules. These limits are designed to provide reasonable protection against harmful interference in a residential installation. This equipment generates, uses and can radiate radio frequency energy and, if not installed and used in accordance with the instructions, may cause harmful interference to radio communications. However, there is no guarantee that interference will not occur in a particular installation. If this equipment does cause harmful interference to radio or television reception, which can be determined by turning the equipment off and on, the user is encouraged to try to correct the interference by one or more of the following measures:

- Reorient or relocate the receiving antenna.
- Increase the separation between the equipment and receiver.
- Connect the equipment into an outlet on a circuit different from that to which the receiver is connected.
- Consult the dealer or an experienced radio/TV technician for help.

CAN ICES-005(B) / NMB-005(B)

MADE IN CHINA

 Have a comment or question? Email us at info@kodabuilt.com or visit us online at www.KodaBuilt.com

KODA[™]

A Horizon Brands Company

2975 Red Hill Ave., Ste. 100, Costa Mesa, CA 92626, USA | Tel: 1-866-294-9244

© 2021 Koda. All rights reserved.

ML-030061_V1