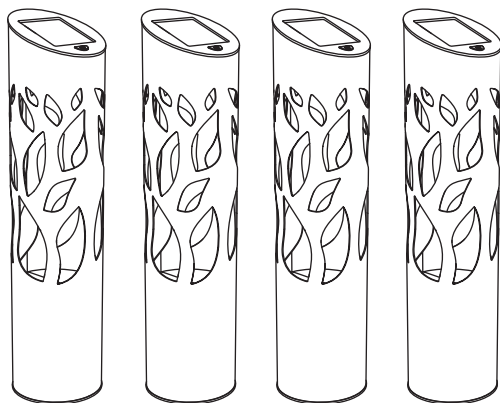


KODA™

Solar LED Pathway Bollard Light (4 PACK)

Model: LM030241



IMPORTANT INFORMATION. PLEASE READ CAREFULLY AND RETAIN FOR FUTURE REFERENCE

For assistance with assembly, installation, parts or customer service, please contact us:

info@kodabuilt.com

1-866-294-9244, Monday to Friday, 8am to 5pm Pacific Time

2975 Red Hill Ave., Suite 100, Costa Mesa, CA 92626, USA

Please read the following safety information before use.

- Please dispose of the used battery properly according to local laws and regulations regarding the disposal of hazardous waste. Improper disposal of the battery could cause serious injury from fire or explosion.
- This product is intended for use with AA 1.2V 900mAh Ni-MH battery.
- Place the light in an area that is clean and well-lit for optimal performance.
- Make sure the light is secured into the ground to avoid injuries.
- For outdoor use only.
- Inspect the product before using for any visual damage or defects. Do not use if the product has been damaged.

MAINTENANCE:

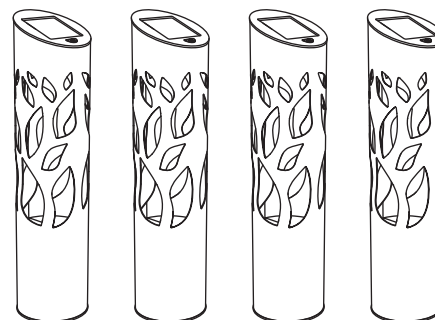
- Regular and consistent use of the device aids in the longevity of the battery lifespan.
- Remove the battery from the product when not in use for an extended period of time.
- Position the battery in proper polarity when replacing.

CLEANING:

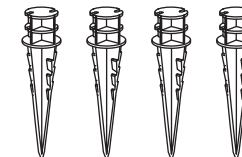
- Clean the surface of the fixture with a soft and dry or slightly dampened cloth. Never use a cleaner with chemicals, solvents, or harsh abrasives to clean the product.

PACKAGE CONTAINS:

Please lay out all parts and read the instructions prior to installation.

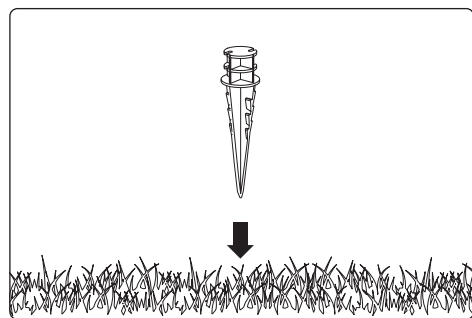


4 x Solar LED Pathway
Bollard Light

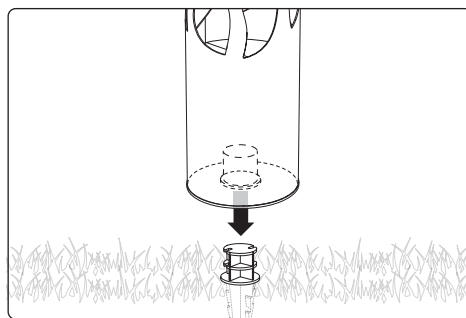


4 x Stake

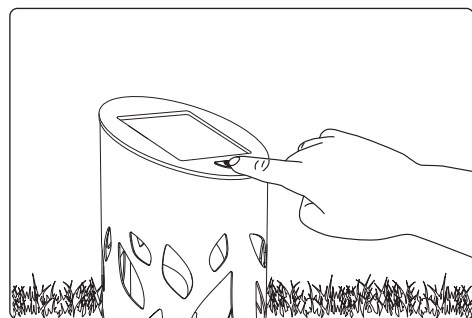
INSTALLATION PROCEDURE:



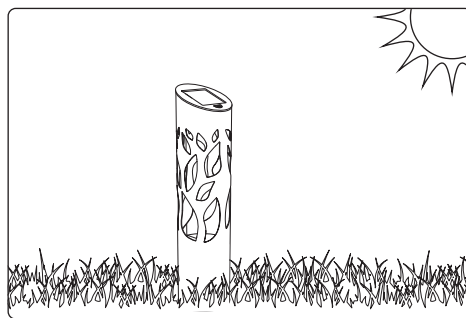
1. Select a flat surface for the Bollard Light, then secure the Stake into the ground.



2. Once the Stake is firmly in the ground, attach the Bollard Light onto the Stake.



3. Set the Bollard Light to ON and allow the battery to charge in direct sunlight for at least 8 hours before first use.



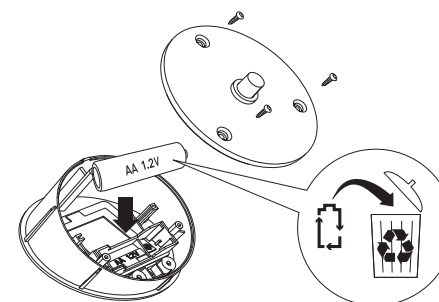
4. Adjust the orientation of the Solar Panel by turning the Bollard Light to receive maximum sunlight.

5. Upon being fully charged, the Bollard Light will automatically turn on at night.

BATTERY REPLACEMENT INSTRUCTIONS:

When replacing the Battery, be sure to:

- Use a rechargeable battery only.
- Match the replacement battery specifications with the battery that have been removed.
- **IMPORTANT:** Dispose of the Lithium ion battery in accordance with local, state and federal regulations.
- Swallowing the batteries may lead to serious injury or death. Seek immediate medical attention if batteries are ingested.
- Clean batteries and the battery contacts before inserting if necessary with a clean, dry cloth.
- Always match the replacement battery specifications with the specifications of the original batteries.
- Ensure the batteries are installed correctly with regard to polarity (+ and -). Wrongly inserted batteries may cause battery leakage and cause damage to the device or other harmful.
- Remove batteries when they are not used for an extended period of time.
- Remove old and used batteries promptly to reduce the risk of battery leakage.
- Keep batteries out of children's reach.
- Do not charge, dismantle, throw into fire, or short-circuit the batteries.
- If a battery has leaked, avoid contact with skin, eyes, and mucous membranes. Promptly rinse any affected area with water and seek medical assistance.
- Do not mix old and new batteries.
- Always use the same type of batteries. Do not mix alkaline, standard (Carbon-Zinc), or rechargeable (Nickel Cadmium) or (Nickel Metal Hydride) batteries.



PRODUCT SPECIFICATIONS:

Operating Voltage: 1.2V

Wattage: 0.06W

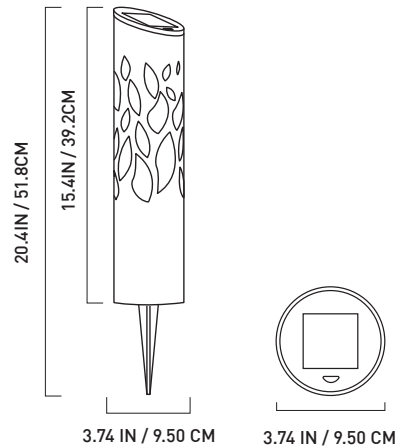
Solar Panel: 2V/200ma

Light Output: 12 lumens

Color Temperature: 3000K

Operating Temperature: -20°C to 55°C / -4°F to 131°F

Battery Run Time: Up to 8 hours on a full charge



5

Warranty:

This KODA product carries an 18-month warranty against defects in workmanship and materials subject to the conditions and additional warranty information available at: www.kodabuilt.com/warranty

DISCLAIMER OF WARRANTIES, INCLUDING WARRANTY OF MERCHANTABILITY AND WARRANTY OF FITNESS FOR PARTICULAR PURPOSE: EXCEPT AS SPECIFICALLY SET FORTH HEREIN, NO WARRANTY OR REPRESENTATION, EXPRESS OR IMPLIED, IS MADE AS TO THE SOLAR ROSE PETAL BOLLARD LIGHT. KODA AND/OR ITS AFFILIATES EXPRESSLY DISCLAIMS, WITHOUT LIMITATION, ANY STATUTORY WARRANTIES AND ALL IMPLIED WARRANTIES, INCLUDING ANY IMPLIED WARRANTY OF MERCHANTABILITY OR FITNESS FOR A PARTICULAR PURPOSE.

Solar LED Pathway
Bollard Light (4 PACK)

Model: LM030241

Responsible Party:

KODA

Address: 2975 Red Hill Ave., Ste. 100, Costa Mesa, CA 92626, USA

Tel: 1-866-294-9244

Warning: Changes or modifications to this unit not expressly approved by the party responsible for compliance could void the user's authority to operate the equipment.

MADE IN VIETNAM

7

TROUBLESHOOTING:

Problem	Possible Cause	Solution
The light does not light up.	The light is turned off.	Press the power button to turn the light on.
The light does not light up at night or stays on during daytime.	Dirty or obstructed Solar Panel.	Clean the Solar Panel.
	The Solar Panel is obscured or interfered by other light sources, such as street light.	Relocate the light to an open area where the Solar Panel can receive direct sunlight.
	The battery cannot be recharged.	Wipe the battery contact with dry cloth or replace the battery.

6

Have a comment or question? Email us at info@kodabuilt.com or visit us online at www.KodaBuilt.com

KODA[™]

A Horizon Brands Company
2975 Red Hill Ave., Ste. 100, Costa Mesa, CA 92626, USA | Tel: 1-866-294-9244
© 2022 KODA. All rights reserved.

ML-030241_V1

8