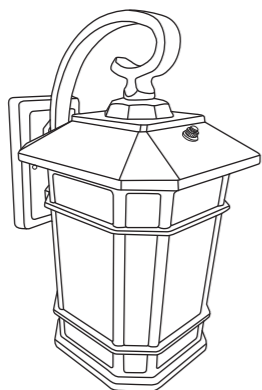


KODA™ OUTDOOR LED WALL LANTERN

ITM. ART. TBD
Model: LM030142



Facebook Instagram YouTube @KodaBuiltOfficial

IMPORTANT INFORMATION. PLEASE READ CAREFULLY AND RETAIN FOR FUTURE REFERENCE

For assistance with assembly, installation, parts or customer service, please contact us:

info@kodabuilt.com

1-866-294-9244, Monday to Friday, 8am to 5pm Pacific Time

2975 Red Hill Ave., Suite 100, Costa Mesa, CA 92626, USA

The Koda™ Outdoor LED Wall Lantern is an immediate upgrade to your home's exterior. Featuring a cast aluminum body, bright 800 lumens energy-efficient LED bulb and 3000K warm light color, this traditional outdoor coach light will brighten any home with style.

The built-in Dusk-to-Dawn feature using photo sensing technology enables the Koda Outdoor LED Wall Lantern to automatically turn on and off the light as darkness and daylight are sensed, saving you from needing a timer or flipping a switch.

If you prefer a more traditional light bulb, no problem. The Koda Outdoor LED Wall Lantern comes with a 8 watt LED bulb, but is also compatible with a 60 watt incandescent bulb.

Whether you're looking to replace an existing coach light or need extra lighting around the home, try the Koda Outdoor LED Wall Lantern and experience an outdoor light with style and brightness.

We recommend installing the Koda Outdoor LED Wall Lantern roughly 6 -7 ft (1.8 - 2.1 m) above the ground.

Important Safety Instructions:

Please read the following safety information before use. To reduce risk of fire, electric shock, or injury to persons:

- This light fixture is intended to be installed utilizing a NEC compliant junction box.
- Turn OFF the main power at the fuse or circuit breaker before installing the light fixture or making any electrical connection.
- Make sure this light fixture is adequately grounded. To ensure proper grounding, there must be a separate ground wire (bare copper) contact between this light fixture and the ground connection of your main power supply panel. Do not connect the bare or green insulation fixture ground wire to the black (hot) current-carrying wire or the white (neutral) wire. Connection of the bare or green fixture ground wire to the black or white wires may cause metal parts of the fixture to carry electrical currents, and may cause electrical shock, which could cause serious injury or death.
- Do not connect this fixture to an electrical system that does not provide a means for equipment grounding. Never use a fixture in a two-wire system that is not grounded. Installing a fixture into an electrical system not having a proper grounding could cause metal parts of the fixture to carry electrical currents if any of the fixture wires, wire connections, or splices were to become broken, cut, or loose during the mounting or normal operation of the fixture. Under this condition, anyone coming in contact with the fixture would be subject to electrical shock, which could cause serious injury or death.
- CAUTION: A loose wire increases the risk of fire; tighten all connections securely.
- Do not suspend any fixture by the house wires. Suspending a fixture by the house wires and wire connectors may result in the fixture falling, possibly causing personal injury and the danger of electrical shock or fire.
- The luminaire must be installed by qualified electrician. All electrical connections must be in accordance with all national and local electrical codes.

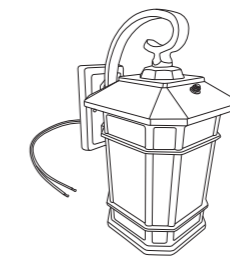
- This light fixture is designed for use in a 110 – 120VAC, 60Hz fuse circuit. Not for use on a dimming circuit.
- For outdoor use.

Warning:

- Failure to disconnect the power supply prior to installation may result in serious injury or death.
- The warnings, precautions, and instructions discussed in this manual cannot cover all possible conditions and situations that may occur. The operator must understand that common sense and caution are factors which cannot be built into this product, but must be supplied by the operator.

PACKAGE CONTAINS:

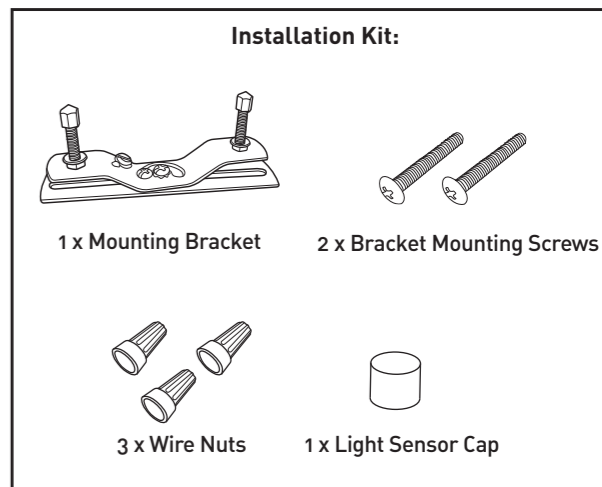
Please lay out all parts and read the instructions prior to installation.



1 x Outdoor LED Wall Lantern



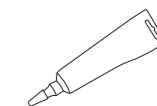
1 x E26 LED Bulb



Tools Needed (not included):



#2 Phillips Head Screwdriver



Silicone Sealant

BEFORE INSTALLATION:

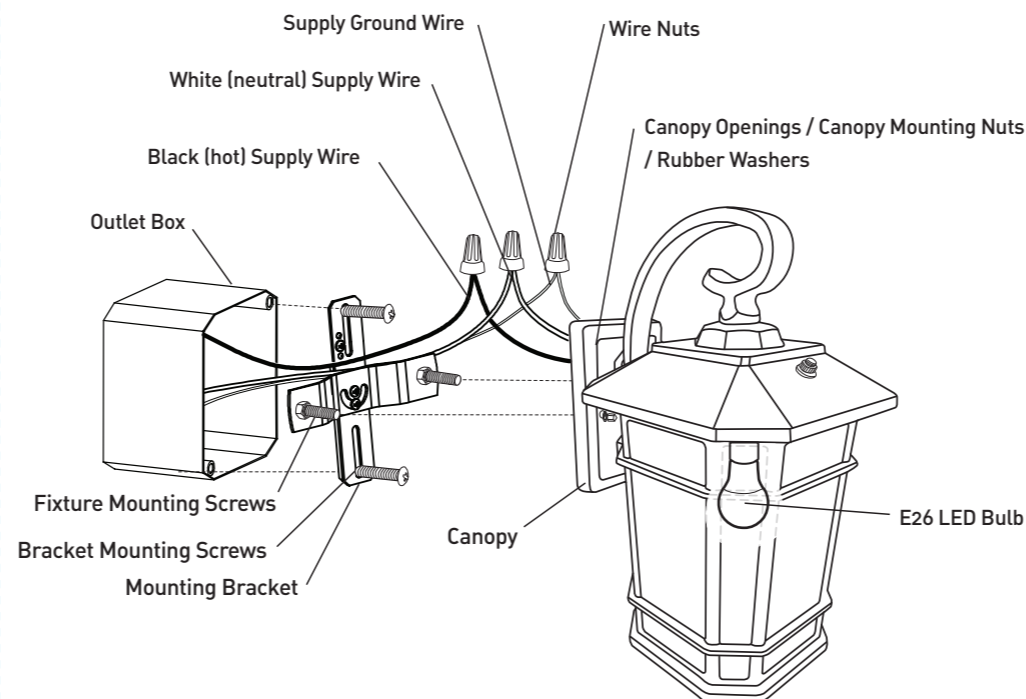
- Carefully remove the coach light fixture, LED bulb and mounting accessories from the box, and check that all parts are included. Do not attempt to assemble the product if any part(s) is missing or damaged. Please contact Koda customer support if this is the case.
- The outlet box described in this manual is not provided. A standard outlet box needs to be pre-installed in the exterior wall, and the power supply wires running to the outlet box need to be rated 120VAC. If an outlet box does not exist, contact a qualified electrician for installation.
- Turn OFF the main power at the fuse or circuit breaker before installing the light fixture or making any electrical connection. You may use a non-contact voltage tester to ensure no power is running to the wires.

Warning: Failure to disconnect the power supply prior to installation may result in serious injury or death.

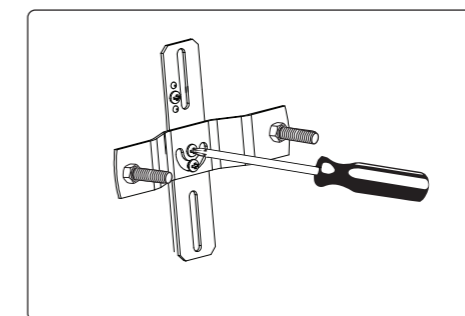
Never connect the ground wire to the hot or neutral power supply wires.

THIS PRODUCT MUST BE INSTALLED IN ACCORDANCE WITH THE APPLICABLE INSTALLATION CODE BY A PERSON FAMILIAR WITH THE CONSTRUCTION AND OPERATION OF THE PRODUCT AND THE HAZARDS INVOLVED

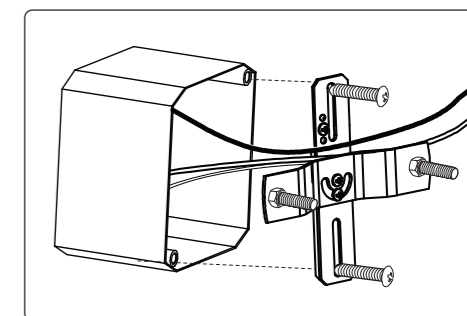
INSTALLATION:



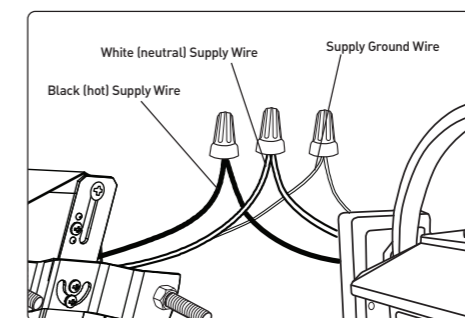
INSTALLATION PROCEDURE:



1. Unscrew the lock nuts from the mounting bracket.



2. Pull the power supply wires out from the outlet box, and install the mounting bracket to the outlet box using the bracket mounting screws.



3. Make the following spliced wire connections using wire nuts:

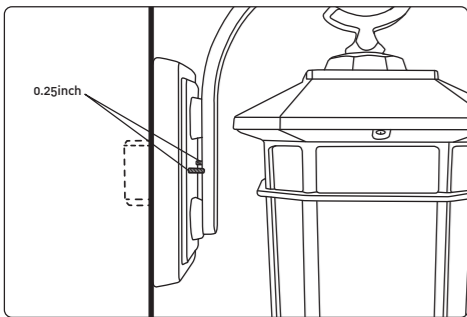
Black (hot) wire to the hot supply wire (most likely black or colored).

White (neutral) wire to the neutral supply wire (most likely white).

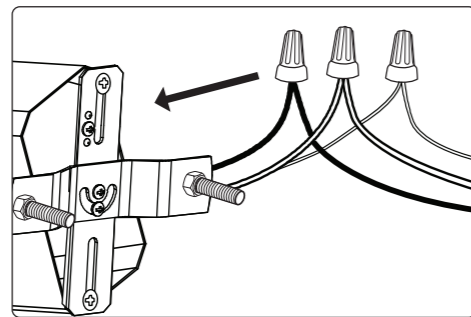
Bare copper (ground) wire to the supply ground wire (most likely bare copper, green wire, or green and yellow wire), or wrap around the ground screw if ground wire does not exist.

Screw the wire nuts in a clockwise direction until tight. Make sure no bare wire or wire strands are visible after making the connections. Check for tightness by pulling wires.

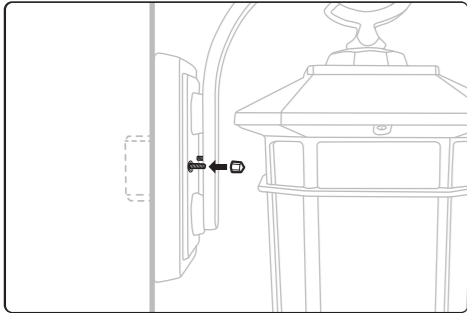
Consult with a qualified electrician if you have any electrical questions or if your current power supply does not include a ground wire.



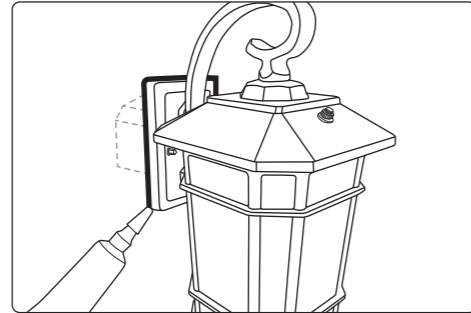
4. Place the canopy over the outlet box and feed the fixture mounting screws through the canopy openings. Adjust the fixture mounting screws until they protrude out from the canopy roughly 1/4 of an inch.



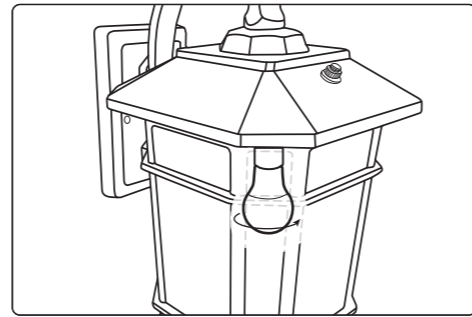
5. Remove the canopy and secure the position of fixture mounting screws by tightening the hex nuts. Carefully place all the wires and wire connections into the outlet box.



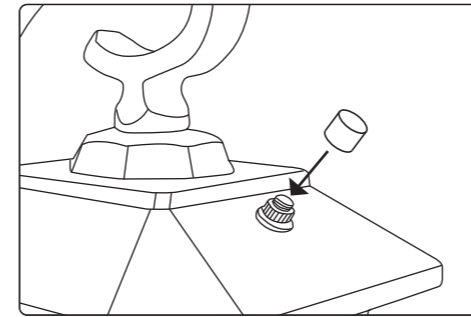
6. Place the canopy over the outlet box with fixture mounting screws feeding through the openings. Install the rubber washers first, then install the canopy mounting nuts.



7. After installing the fixture, caulk the upper 3/4 of canopy to the mounting surface with silicone sealant (not included). The sealing compound should fully fill the gap of canopy and mounting surface. Leave the bottom 1/4 un-caulked to allow drainage of any water that might leak into the enclosure.

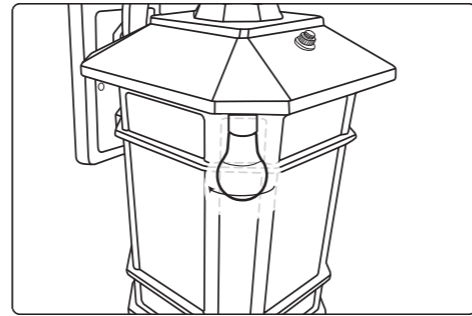


8. Install the light bulb.



9. (Optional) To turn on the light at day time, place the Light Sensor Cap to disable the dusk-to-dawn feature.

REPLACING LED OR INCANDESCENT BULBS



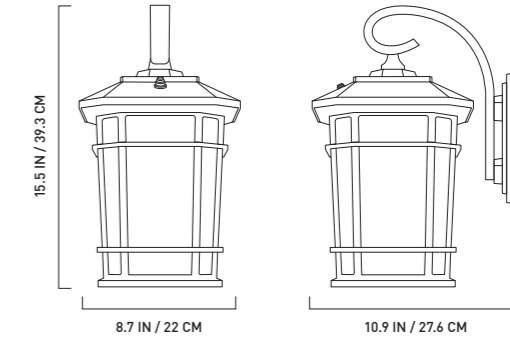
1. Remove the existing light bulb and replace with a new one. Only replace light bulb with E26 base, 120 V, 60 W maximum.

LIGHT SENSOR CAP

If you want to have the light turns ON during all the time, you can place the Light Sensor Cap onto top of the light sensor.

PRODUCT SPECIFICATIONS:

Operating Voltage: 120 Vac, 60 Hz
Compatible with an incandescent light bulb of 120 V, 60 W MAX, E26 base
LED Bulb (included): 800 lumen, 3000K, 8 W (not to use with dimmer)



TROUBLESHOOTING:

Problem	Possible Cause	Solution
The light does not come on.	The light has a built-in Dusk-to-Dawn feature, which turns off the light during day time.	Place the Light Sensor Cap onto light sensor switch (refer to Installation Step 9 in P.8)
	The light wall switch is turned off.	Turn the light wall switch on.
	The fuse is blown or the circuit breaker is turned off.	Replace the fuse or ensure the circuit breaker is turned on.
	Faulty wire connection.	Check all wiring to ensure they are correctly and securely wired.
The light does not come on during night.	Other light sources, such as other light fixture or street light, is shining onto the photosensor.	Move the light fixture away from those light source
The light stays on through the day	Other light sources, such as other light fixture or street light, is shining onto the photosensor.	Move the light fixture to a brighter area during the day

Important Safety Instructions:

Warranty:

This Koda product carries a 5-year warranty against defects in workmanship and materials subject to the conditions and additional warranty information available at: www.kodabuilt.com/warranty

DISCLAIMER OF WARRANTIES, INCLUDING WARRANTY OF MERCHANTABILITY AND WARRANTY OF FITNESS FOR PARTICULAR PURPOSE: EXCEPT AS SPECIFICALLY SET FORTH HEREIN, NO WARRANTY OR REPRESENTATION, EXPRESS OR IMPLIED, IS MADE AS TO THE LED WALL LANTERN. KODA AND/OR ITS AFFILIATES EXPRESSLY DISCLAIMS, WITHOUT LIMITATION, ANY STATUTORY WARRANTIES AND ALL IMPLIED WARRANTIES, INCLUDING ANY IMPLIED WARRANTY OF MERCHANTABILITY OR FITNESS FOR A PARTICULAR PURPOSE.

MADE IN VIETNAM

Have a comment or question? Email us at info@kodabuilt.com or visit us online at www.KodaBuilt.com

KODA™

A Horizon Brands Company
2975 Red Hill Ave., Ste. 100, Costa Mesa, CA 92626, USA | Tel: 1-866-294-9244
© 2021 Koda. All rights reserved.