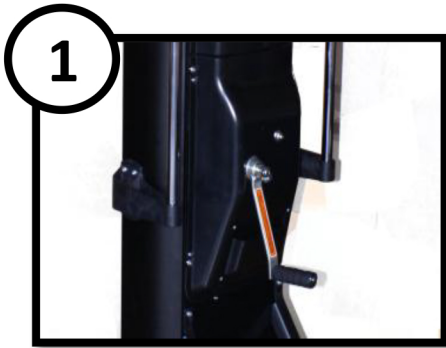
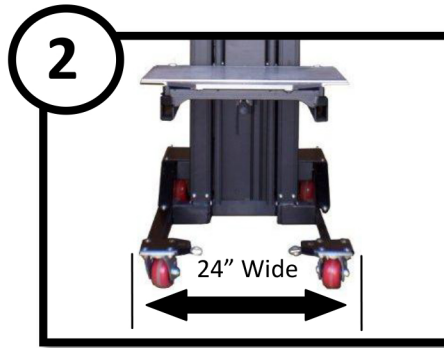


## Unique Features



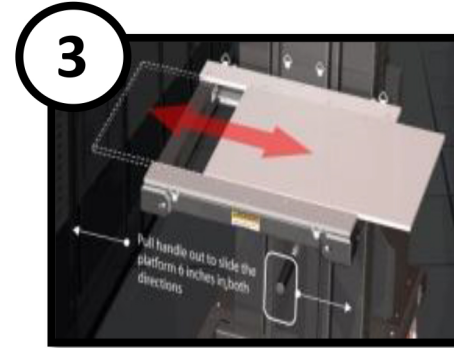
**Heavy Duty Hand Crank**

- Effortlessly lifts 350 lbs.
- Fully contained cable and winch mechanism
- Precise height adjustment



**Compact Design**

- Slim 24" wide base easily navigates narrow aisles
- Fits through standard size doorways (under 6 feet tall)
- Ideal for cold aisle containment



**Sturdy Gliding Platform**

- Resists sagging and twisting with a 350 lbs load
- Adds 6" lateral movement into rack
- Fits into standard 19" racks

## Design & Functionality

- ✓ Platform lowers to the bottom of standard racks
- ✓ ServerLIFT telescopes allowing the platform to rise up to 8 Feet
- ✓ 350 pound weight capacity
- ✓ Side loading for easy equipment alignment while facing the rack
- ✓ Heavy duty manual winch
- ✓ 4 Large Swiveling Castors – Front
- ✓ Wheels lock for precise steering or swivel for maneuverability.
- ✓ Easy Steer Handles
- ✓ Included strap kit secures equipment
- ✓ Stabilizer/brake system for safe equipment install

**SL-350X**



- No Certification Required
- Fully Assembled