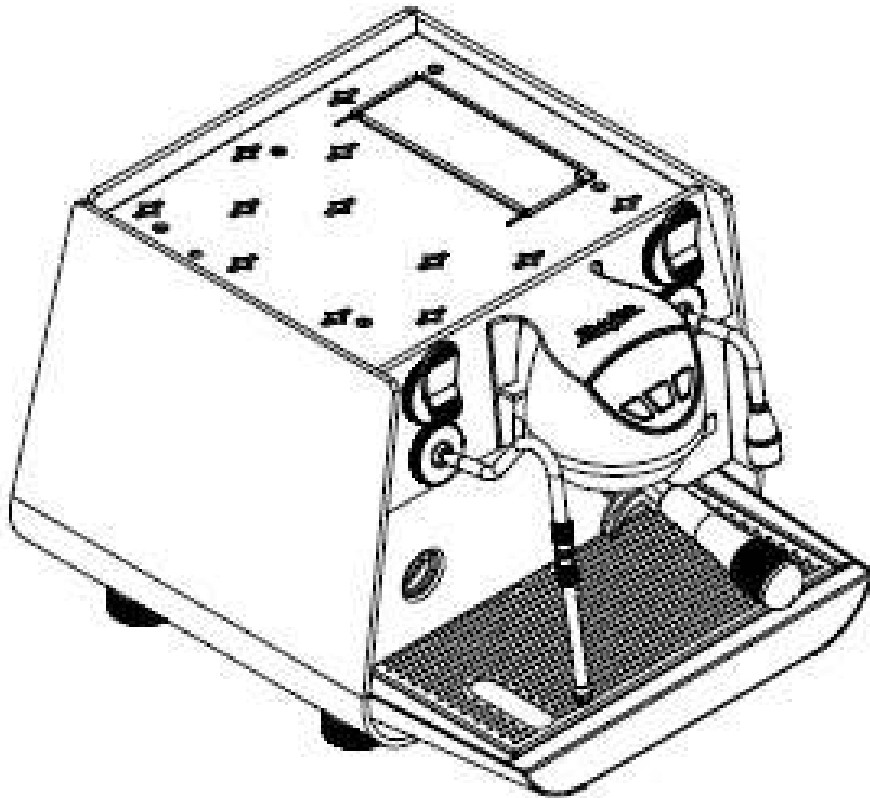


SPARE PARTS BOOK

EJ

PRIMA



09/09/2020

Victoria Arduino

INSPIRED BY YOUR PASSION.



INSPIRED BY YOUR PASSION.

T.01	CABINET PARTS
T.02	CONTROL PANEL PARTS
T.03	POURING GROUP PARTS
T.04	HYDRAULIC PARTS
T.05	STEAM & HOT WATER PARTS
T.06	EASY CREAM PARTS
T.07	HYDRAULIC GROUP PARTS
T.08	BOILER PARTS
T.09	SICUR.+TANICA SELF-LEVELING+SAFETY V
T.10	FRAME PARTS
T.11	ELECTRONIC & ELECTRICAL PARTS

» LEGEND :

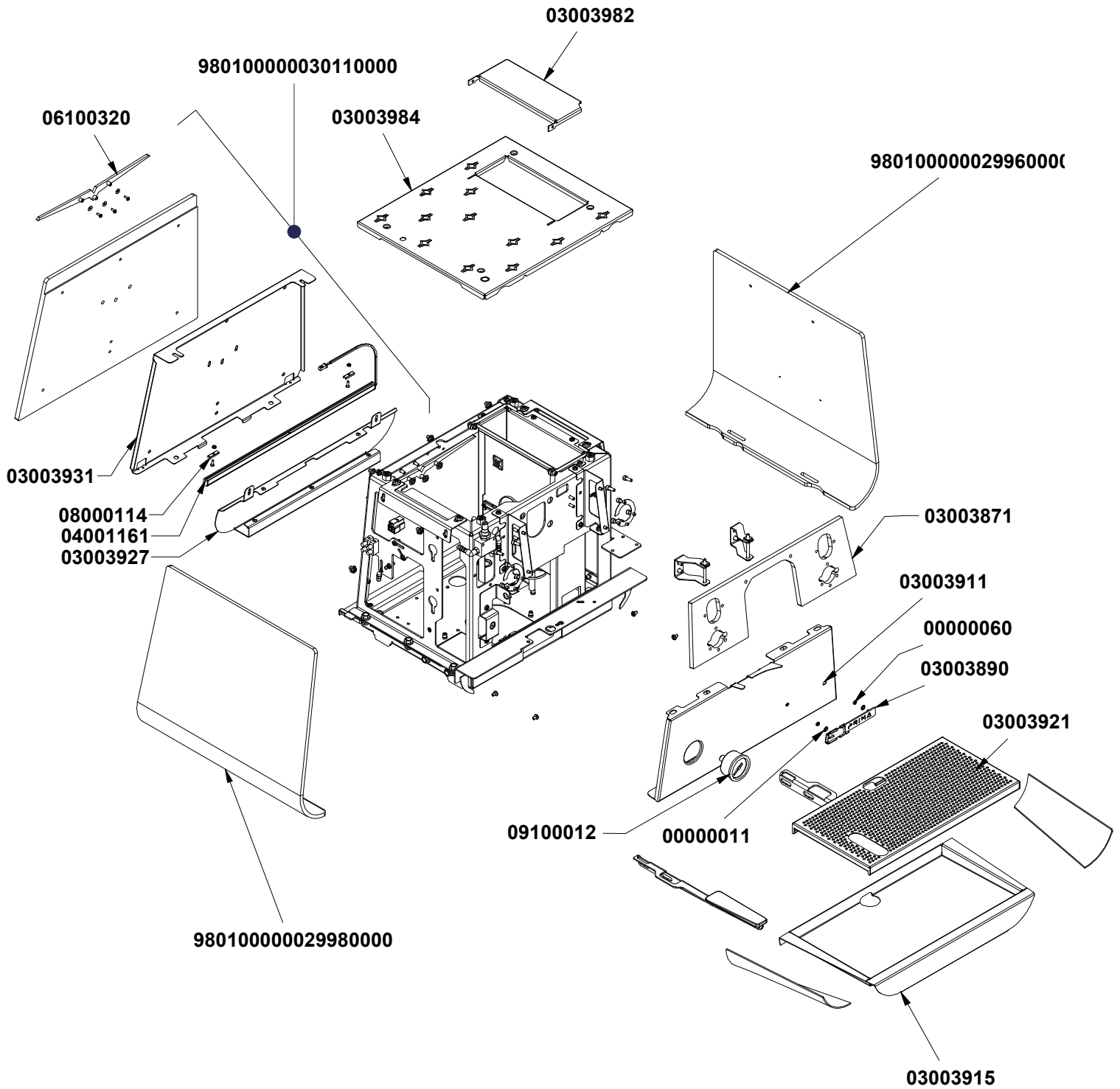
THE CODES WRITTEN IN BOLD REFER TO THE COMPONENTS
EMPLOYED CURRENTLY.

THE CODES USED BEFORE ARE WRITTEN IN CORSIVE WITH INDICATED,
ON THE SIDE, THE END OF VALIDITY DATE.

EXAMPLE:

03001531 - 01/09/2007

03001531





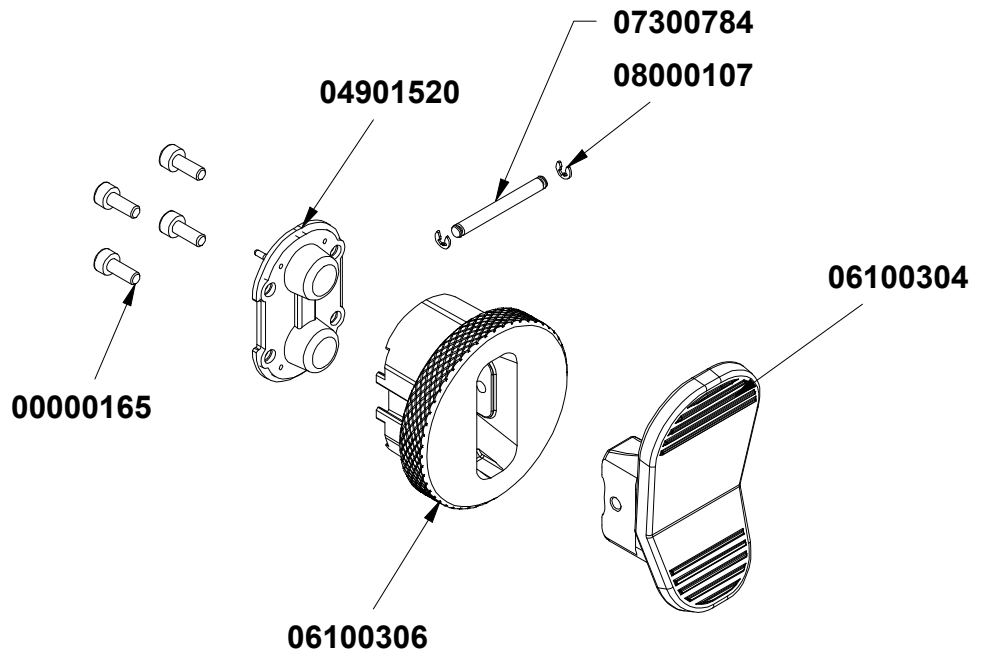
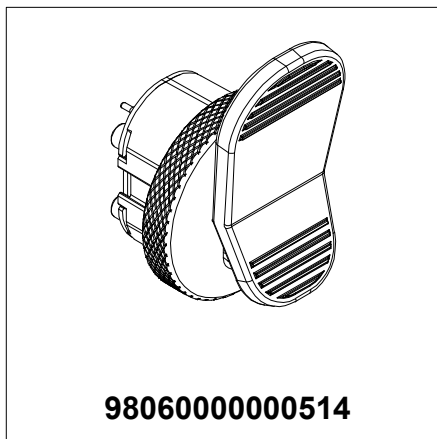
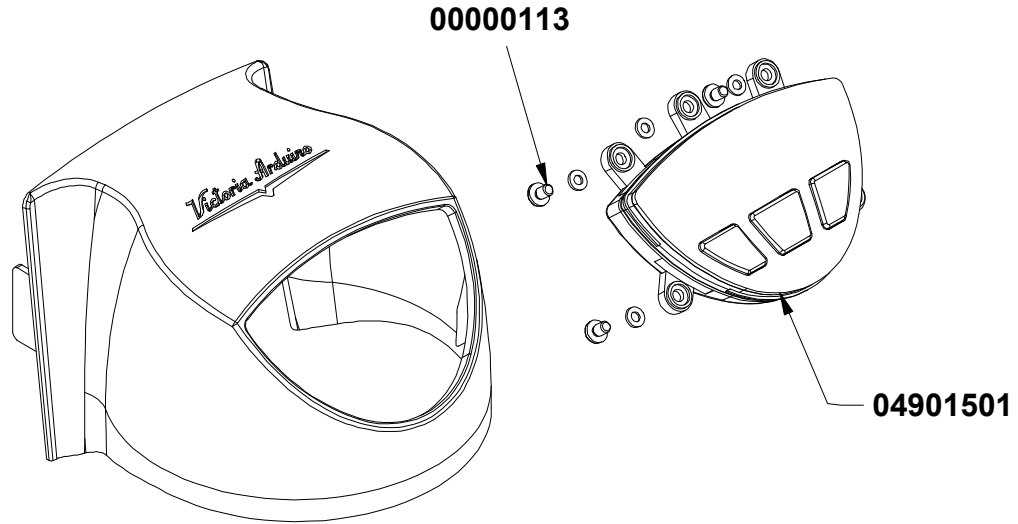
COMPONENTI GRUPPO CARENA

CABINET PARTS

COD.	DESCRIPTION	DESCRIZIONE	VAL.
0000011	S/S KNURLED WASHER M4 UNI8842/A	RONDELLA INOX M4 ZIGRINATA UNI8842/A	
0000060	GALV MEDIUM NUT AQ M3	DADO AQ M3 MEDIO ZINCATO	
03003871	FRONTAL PANEL 1GR EAGLE ONE CHROMED ALLUMINUM	PARETE FRONTALE 1GR EAGLE ONE ALLUMINIO CROMA'	
03003890	FRONTSIDE LOGO	LOGO FRONTALE	
03003911	INF FRONT PLATE	PARETE FRONTALE INF.	
03003915	DRIP TRAY	PIATTO RACCOGLIACQUA	
03003921	MESH WORKTOP	RETINA PIANO LAVORO	
03003927	INF BACK PANEL	CARENA RETRO INFERIORE	
03003931	SUP BACK PANEL SUPPORT	SUPPORTO CARENA RETRO SUPERIORE	
03003982	TANK COVER	COPERCHIO TANICA	
03003984	SUP. CUPHOLDER	PORTATAZZE SUPER.	
980100000029960000	RIGHT SIDE PANEL SET	ASS. FIANCO DX	
980100000029980000	LEFT SIDE PANEL SET	ASS. FIANCO SX	
980100000030110000	REAR FRAME SET	ASS. CARENA RETRO	
04001161	LED STRIP	STRIP LED	
06100320	BACKSIDE EAGLE LOGO EAGLE ONE SHINY ALLUMINUM	LOGO AQUILA POSTERIORE EAGLE ONE ALLUMINIO LUCI	
08000114	FIXING SPRING FOR REAR LED STRIP	MOLLA FISSAGGIO LED POSTERIORE	
09100012	GAUGE SCALE 0-4 BAR 1/8 D.40 VICTORIA ARDUINO	MANOMETRO SCALA 0-4 BAR 1/8 D.40 VICTORIA ARDUINO	
0000011	S/S KNURLED WASHER M4 UNI8842/A	RONDELLA INOX M4 ZIGRINATA UNI8842/A	
03003871	FRONTAL PANEL 1GR EAGLE ONE CHROMED ALLUMINUM	PARETE FRONTALE 1GR EAGLE ONE ALLUMINIO CROMA'	
0000060	GALV MEDIUM NUT AQ M3	DADO AQ M3 MEDIO ZINCATO	



INSPIRED BY YOUR PASSION.





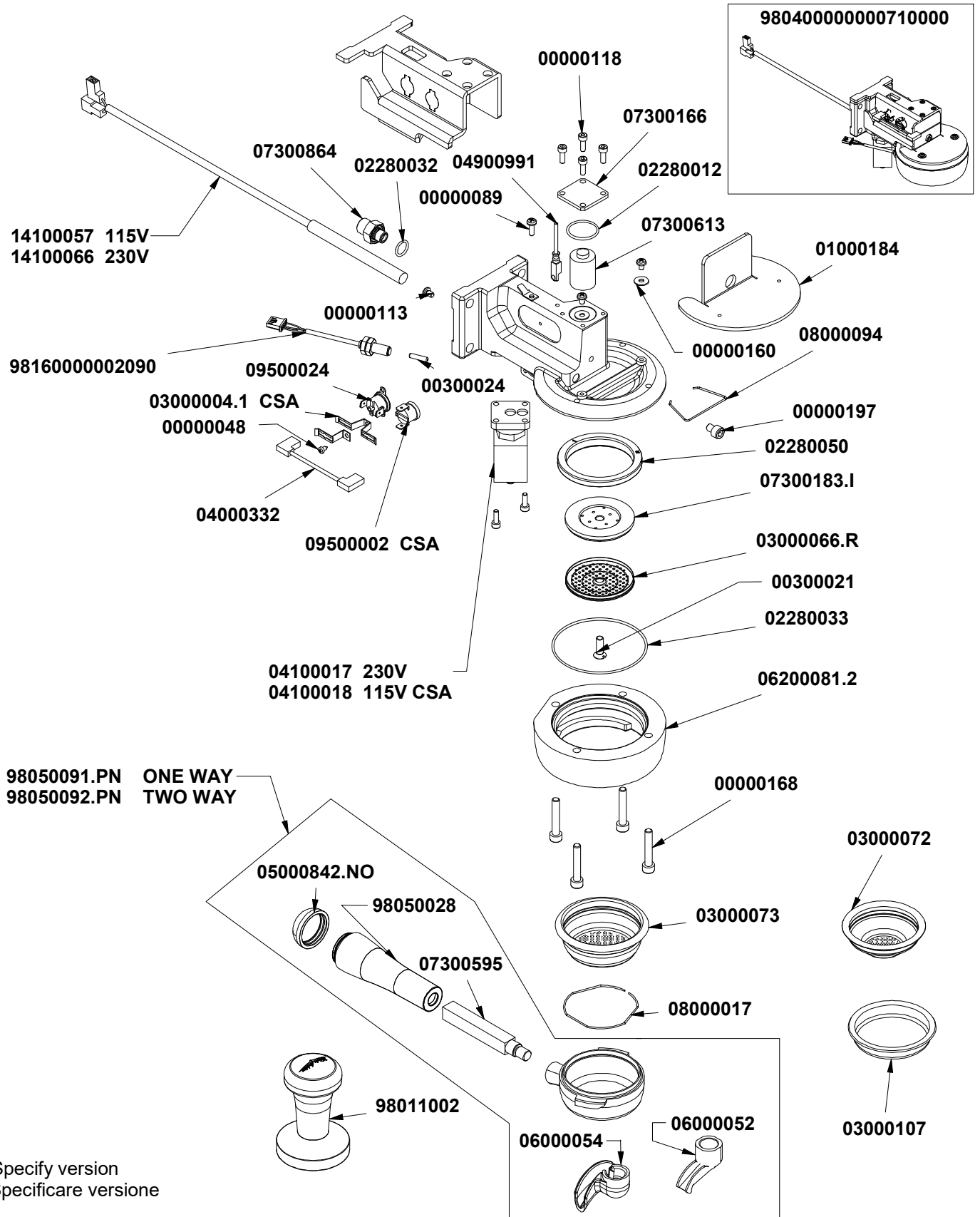
COMPONENTI INVOLUCRO COMANDI

CONTROL PANEL PARTS

COD.	DESCRIPTION	DESCRIZIONE	VAL.
00000113	S/S CROS SHEAD CAP SCREW M4x6 7985	VITE INOX M4X6 TC T.CR. 7985	
00000165	S/S SCREW M3x8 TCEI ISO 4762	VITE INOX M3X8 TCEI ISO 4762	
98060000000514	STEAM KNOB ASSEMBLY	ASSIEME MANOPOLA VAPORE	
04901501	DISPENSING KEYBOARD	SCHEDA EROGAZ.	
04901520	ELECTR CNTRL BOARD W/ STEAM LEVER MAT EAGLE ON	SCHEDA ELETTR. CON TAPPETINO LEVA VAPORE EAGLE	
06100304	STEAM LEVER EAGLE ONE	LEVA VAPORE EAGLE ONE	
06100306	LEVER SUPPORT EAGLE ONE	SUPPORTO LEVA VAPORE EAGLE ONE	
07300784	STEAM LEVER LOCK PIVOT EAGLE ONE	PERNO BLOCCO LEVA VAPORE EAGLE ONE	
08000107	LOCKING SPRING FOR STEAM TAP EAGLE ONE	MOLLA BLOCCO LEVA VAPORE EAGLE ONE	
00000113	S/S CROS SHEAD CAP SCREW M4x6 7985	VITE INOX M4X6 TC T.CR. 7985	
00000165	S/S SCREW M3x8 TCEI ISO 4762	VITE INOX M3X8 TCEI ISO 4762	
04901520	ELECTR CNTRL BOARD W/ STEAM LEVER MAT EAGLE ON	SCHEDA ELETTR. CON TAPPETINO LEVA VAPORE EAGLE	
06100304	STEAM LEVER EAGLE ONE	LEVA VAPORE EAGLE ONE	
06100306	LEVER SUPPORT EAGLE ONE	SUPPORTO LEVA VAPORE EAGLE ONE	
07300784	STEAM LEVER LOCK PIVOT EAGLE ONE	PERNO BLOCCO LEVA VAPORE EAGLE ONE	
08000107	LOCKING SPRING FOR STEAM TAP EAGLE ONE	MOLLA BLOCCO LEVA VAPORE EAGLE ONE	

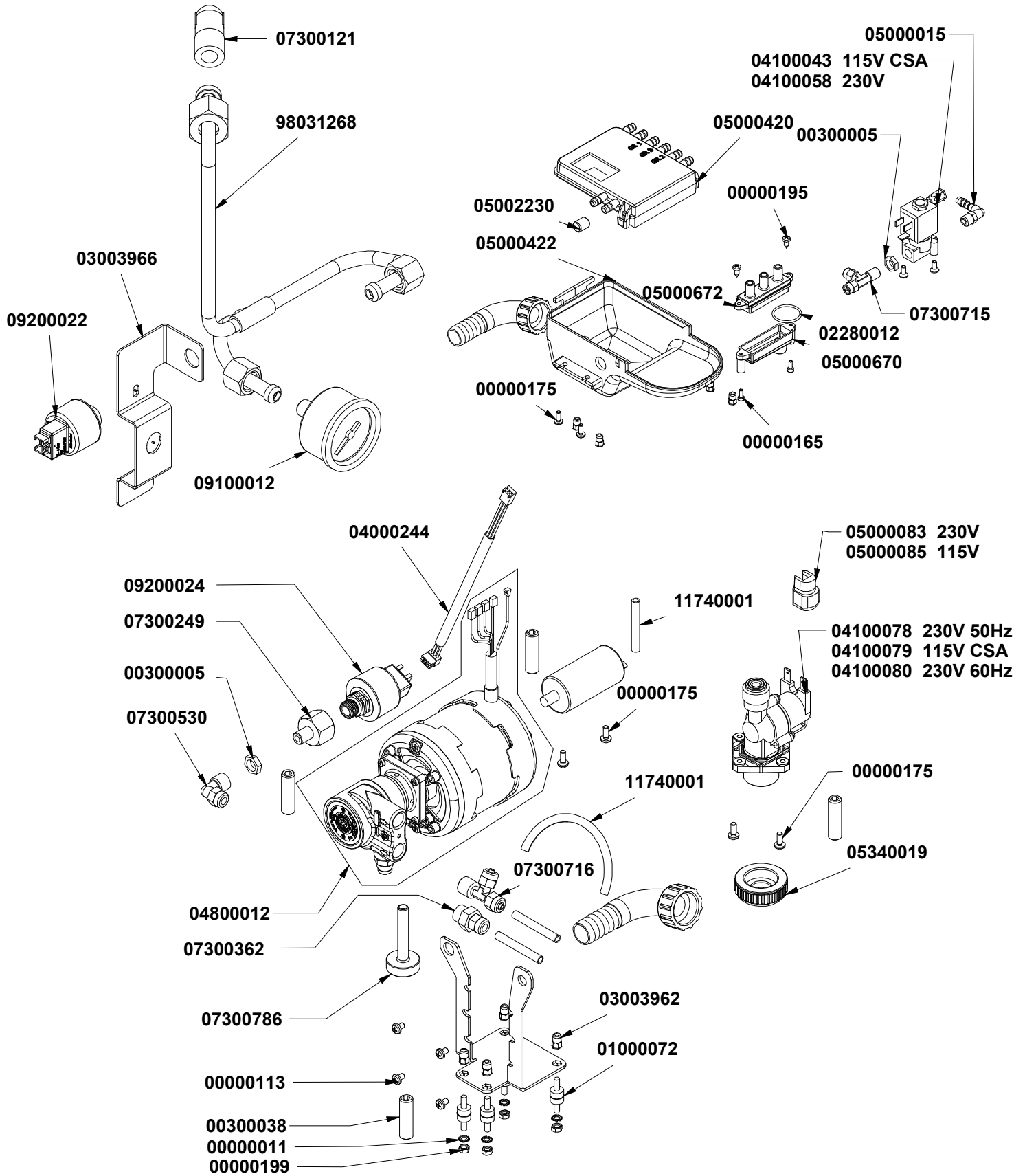


INSPIRED BY YOUR PASSION.



* Specify version
 Specificare versione

COD.	DESCRIPTION	DESCRIZIONE	VAL.
00000048	SELF-TAPPING SCREW 2.9x4.5 TC/T.CR.	VITE AUTOF 2,9X4,5 TC/T.CR.	
00000089	S/S CROSSHEAD CAP SCREW M4x12 DIN7985	VITE INOX M4X12 TC TCR DIN7985	
00000113	S/S CROS SHEAD CAP SCREW M4x6 7985	VITE INOX M4X6 TC T.CR. 7985	
00000118	S/SHEX SOCKET CAP SCREW M4x12 5931	VITE INOX M4X12 TCEI 5931	
00000160	S/S WASHER D4X12 UNI 6593	RONDELLA INOX D4X12X1 UNI 6593	
00000168	S/S HEXAGON SOCKET HEAD SCREW M6x35 UNI 5931	VITE INOX M6X35 TCEI 5931	
00000197	S/S HEX SOCKET CAP SCREW M6x8 ISO 4762	VITE INOX M6X8 TCEI ISO 4762	
00300021	S/S SLT COUNTERSUNK SCREW M6X18 DIN963	VITE INOX M6X18 TSP TC DIN963	
00300024	S/S GRUB SCREW M4X16 5923	GRANO INOX M4X16 5923	
01000184	ADONIS GROUP INSULATOR	ISOLANTE GRUPPO EROGAZIONE ADONIS	
02280012	GASKET O RING 2093 D.27 EP851	GUARN. OR 2093 D.27 VITON DF 801	
02280032	GASKET O RING 114 D15 EP 851	GUARN. OR 114 D.15 EP 851	
02280033	GASKET O RING 75,92x1,78 NBR XP70	GUARN. OR 75,92X1,78 NBR XP70 2300	
02280050	GASKET LONG LIFE	GUARN. SOTTOCOPPA CONICA LONG LIFE	
03000004.1	DOUBLE BRACKET FOR THERMOSTAT	STAFFA DOPPIA X TERMOSTATO	
03000066.R	S/S SHOWER REINFORCED	DOCCIA INOX RINFORZATA AISI304	
03000072	FILTER ONE COFFEE HIGH 7gr	FILTRO 1 CAFFE' ALTO 7GR.	
03000073	FILTER TWO COFFEE HIGH 14gr	FILTRO 2 CAFFE' ALTO 14GR.	
03000107	BLIND FILTER	FILTRO CIECO	
04000332	EXT L=85 + FASTON F-F A FLAG AWG18 BROWN	CAVALLOTTO L=85 + FASTON F-F A BANDIERA AWG18 M/	
04100017	2WAY SOLENOID DIS BASE 1/8220-230V50/60Hzz F1.5 CE	E.V. NC 3VIE Basetta SCAR. 1/8220-230V 50/60HZ RUBY I	
04100018	3WAY SOLENOID DIS BASE 1/8110-120V60Hz F1.6 UL	E.V. NC 3VIE Basetta SCAR. 1/8110-120V 60HZ RUBY F1.	
04900991	GROUP TEMPERATURE PROBE PT1000 AURELIAII TFT	SONDA TEMPERATURA PT1000 GR. AURELIA II "DISPLAY	
05000842.NO	FILTER HOLDER KNOB LOCK 2003 PAINTED MATT BLACK	CHIUSURA MANOPOLA PORTAFILTRO 2003 VERN. NERO	
06000052	S/S NOZZLE 1WAY CURVED OPEN	BECCO INOX UNA VIA CURVO OPEN	
06000054	S/S NOZZLE 2WAY CURVED OPEN	BECCO INOX DUE VIE OPEN	
06200081.2	GR RING OR CHRME OT-58 - P.FILTER SENSOR	ANELLO GRUPPO +SEDE OR PER SENSORE PORTAFILTF	
07300166	FLANGE BLOCK LOCK SOLENOID HOLDER ADD.07.07.03	FLANGIA CHIUSURA BLOCCHETTO PORTA ELETTRIV. AC	
07300183.I	GROUP DIFFUSER h=3 S/S Aisi316	PADIGLIONE GRUPPO H=3 INOX AISI316	
07300595	PORTAFILTER KNOB INSERT 2003 AVP ZINC.	INSERTO MANOPOLA PORTAFILTRO 2003 AVP ZINC.	
07300613	PRE INFUSION CHAMBER INSERT GROUP AURELIA OT-57	INSERTO CAMERA PRE-INFUSIONE GR. AURELIA OT-57	
07300864	FITTING 1/4M 1/8M + THREADED M6 Aisi316 +	RACCORDO 1/4M 1/8M + FILETT.M6 + SEDE OR	
08000017	S/S FILTER LOCKING SPRING	MOLLA BLOCCA FILTRO ACC.INOX	
08000094	INSULATION SHEET SPRING DELIVERY GROUP	MOLLA FISSAGGIO ISOLANTE GR. EROGAZ.	
09500002	AUTOMATIC THERMOSTAT 125°C WHITE DRIPPING	TERMOSTATO RIARMO AUTO. 125°C	
09500024	MANUAL THERMOSTAT 135°C TRIP FREE GREEN DRIPPIN	TERMOSTATO R.MAN. 135°C TRIP FREE GOCCIOLATURA	
14100057	HEATING ELEMENT D10x115 300W 115V	RESISTENZA A CARTUCCIA D10x115 300W 115V	
14100066	CARTRIDGE HEAT. ELEMENT D10x115 300W 230V	RESISTENZA A CARTUCCIA D10X115 300W 230V	
98011002	ANODISED COFFEE TAMPER BRILLIANT WHITE VA 2009	PRESSA CAFFE' ANOD.BIANCO BRILLANTE V.A. '09	
98040000000710000	ASSEMBLY BREWING GROUP	ASSIEME GRUPPO EROGAZIONE	
98050028	BLACK LEATHER PORTAFILTER HANDLE	MANOPOLA PORTAFILTRO IN PELLE NERA	
98050091.PN	S/S 1WAY PORTAFILTER IN BLACK LEATHER W/OUT FILT	PORTAFILTRO INOX 1 VIA IN PELLE NERA S/FILTRO	
98050092.PN	S/S 2WAY PORTAFILTER IN BLACK LEATHER W/OUT FILT	PORTAFILTRO INOX 2 VIE IN PELLE NERA S/FILTRO	
98160000002090	PORTAFILTER PRESENCE SENSOR AURELIA18 W/CONN	SENSORE PRESENZA PORTAFILTRO AURELIA18 COMPL.	



COD.	DESCRIPTION	DESCRIZIONE	VAL.
0000011	S/S KNURLED WASHER M4 UNI8842/A	RONDELLA INOX M4 ZIGRINATA UNI8842/A	
00000113	S/S CROS SHEAD CAP SCREW M4x6 7985	VITE INOX M4X6 TC T.CR. 7985	
00000165	S/S SCREW M3x8 TCEI ISO 4762	VITE INOX M3X8 TCEI ISO 4762	
00000175	S/S CROSS HEAD CAP SCREW M4X10	VITE INOX M4X10 TC TCR	
00000195	S/S SELF TAPPING SCREW 3,9X9,5 TC/TCR	VITE AUTOF INOX 3,9X9,5 TC/TCR	
00000199	S/S NUT M4 MEDIUM UNI 5588	DADO INOX M4 MEDIO UNI 5588	
00300005	BRASS NUT 1/8 GAS D4 ADD 22.07.96 CH13	DADO OT 1/8 GAS AGG.22.07.96 SPESS.4 CH13	
00300038	GRAIN INOX M10x35	GRANO INOX M10x35 PUNTA PIANA	
01000072	ANTI-VIBRATING AD 10X10 M4 MM	ANTIVIBRANTE AD 10X10 M4 MM * KB *	
02280012	GASKET O RING 2093 D.27 EP851	GUARN. OR 2093 D.27 VITON DF 801	
04000244	3POLE CONN CABLE RAST 2.5/MOLEX L = 800mm for PST)	CAVO COLL.3P RAST 2,5/MOLEX L.800MM X TRASDUTTOF	
04100043	2WAY SOLENOID 1/8-1/8 110-120V 60Hz F2 UL	E.V. NC 2VIE 1/8-1/8 110-120V 60HZ	
04100058	2WAY SOLENOID 1/8-1/8 208-240V 60Hz F2 UL	E.V. NC 2VIE 1/8-1/8 208-240V 60HZ	
04800012	ELECTROMECCANIC PUMP GA072 + 230V ENGINE	POMPA ELETTROMECC. GA072 +MOTORE 230V	
05000015	TUBE FASTENING WES 6R 1/8	RACCORDO PORTATUBO WES 6R 1/8	
05000083	CABLE LOCK SR 11-2 BLACK	BLOCCACAVO SR 11-2 NERO	
05000085	CABLEGLAND TEC-S M20 D.7-14 CON DADO P-CT M20 Es:	PRESSACAVO TEC-S M20 D.7-14 CON DADO P-CT M20 ES	
05000420	TRAY PLUG UNDER PLATE VA388	TAPPO VASCHETTA SOTTO PIATTO VA388	
05000422	DRIP TRAY UNDER PLATED VA388	VASCHETTA SOTTO PIATTO VA388	
05002230	DRAIN RUBBER PLUG D8 x 05002228	TAPPO GOMMA SCARICO D.8 X 05002228	
05340019	BLACK TAP 3/4 W/ GASKET	TAPPO NERO 3/4 CON GUARNIZIONE	
07300121	FITTING L 1/4 M-M CYLIND ADD. 18.02.97	RACCORDO L 1/4 M-M CILINDRICOAGG. 18.02.97	
07300249	FITTING 1/8M L = 12 3/8F	RACCORDO 1/8M L=12 3/8F	
07300362	STRAIGHT FITTING 1/4 M-FITTINGS.6 340	RACCORDO DIR. 1/4 M-CALZ.6 340	
07300530	FITTING L 1/8 F A CALZ. 347 6	RACCORDO L 1/8 F A CALZ. 347 6	
07300715	T FITTING 1/8 M -FITTINGS.6 -FITTINGS.6	RACCORDO T 1/8 M -CALZAM.6 - CALZAM.6	
07300716	T FITTING 1/4 M -FITTINGS.6 -FITTINGS.6	RACCORDO T 1/4 M -CALZAM.6 - CALZAM.6	
09100012	GAUGE SCALE 0-4 BAR 1/8 D.40 VICTORIA ARDUINO	MANOMETRO SCALA 0-4 BAR 1/8 D.40 VICTORIA ARDUINC	
09200022	PRESSURE TRANSDUCER 0-4 BAR 3/8	TRASDUTTORE DI PRESSIONE 0-4 BAR 3/8	
09200024	PRESSURE TRANSDUCER 0-16 BAR 1/4	TRASDUTTORE DI PRESSIONE 0-16 BAR 1/4	
01000072	ANTI-VIBRATING AD 10X10 M4 MM	ANTIVIBRANTE AD 10X10 M4 MM * KB *	
0000011	S/S KNURLED WASHER M4 UNI8842/A	RONDELLA INOX M4 ZIGRINATA UNI8842/A	
00000113	S/S CROS SHEAD CAP SCREW M4x6 7985	VITE INOX M4X6 TC T.CR. 7985	
11740001	TEFLON PIPE 6/4	TUBO TEFLON 6/4	
00000165	S/S SCREW M3x8 TCEI ISO 4762	VITE INOX M3X8 TCEI ISO 4762	
00000175	S/S CROSS HEAD CAP SCREW M4X10	VITE INOX M4X10 TC TCR	
00000195	S/S SELF TAPPING SCREW 3,9X9,5 TC/TCR	VITE AUTOF INOX 3,9X9,5 TC/TCR	
00000199	S/S NUT M4 MEDIUM UNI 5588	DADO INOX M4 MEDIO UNI 5588	
02280012	GASKET O RING 2093 D.27 EP851	GUARN. OR 2093 D.27 VITON DF 801	
00300005	BRASS NUT 1/8 GAS D4 ADD 22.07.96 CH13	DADO OT 1/8 GAS AGG.22.07.96 SPESS.4 CH13	
00300038	GRAIN INOX M10x35	GRANO INOX M10x35 PUNTA PIANA	
04000244	3POLE CONN CABLE RAST 2.5/MOLEX L = 800mm for PST)	CAVO COLL.3P RAST 2,5/MOLEX L.800MM X TRASDUTTOF	
04100043	2WAY SOLENOID 1/8-1/8 110-120V 60Hz F2 UL	E.V. NC 2VIE 1/8-1/8 110-120V 60HZ	
04100058	2WAY SOLENOID 1/8-1/8 208-240V 60Hz F2 UL	E.V. NC 2VIE 1/8-1/8 208-240V 60HZ	
04800012	ELECTROMECCANIC PUMP GA072 + 230V ENGINE	POMPA ELETTROMECC. GA072 +MOTORE 230V	
05000015	TUBE FASTENING WES 6R 1/8	RACCORDO PORTATUBO WES 6R 1/8	
05000083	CABLE LOCK SR 11-2 BLACK	BLOCCACAVO SR 11-2 NERO	
05000085	CABLEGLAND TEC-S M20 D.7-14 CON DADO P-CT M20 Es:	PRESSACAVO TEC-S M20 D.7-14 CON DADO P-CT M20 ES	
05000420	TRAY PLUG UNDER PLATE VA388	TAPPO VASCHETTA SOTTO PIATTO VA388	
05000422	DRIP TRAY UNDER PLATED VA388	VASCHETTA SOTTO PIATTO VA388	
05002230	DRAIN RUBBER PLUG D8 x 05002228	TAPPO GOMMA SCARICO D.8 X 05002228	



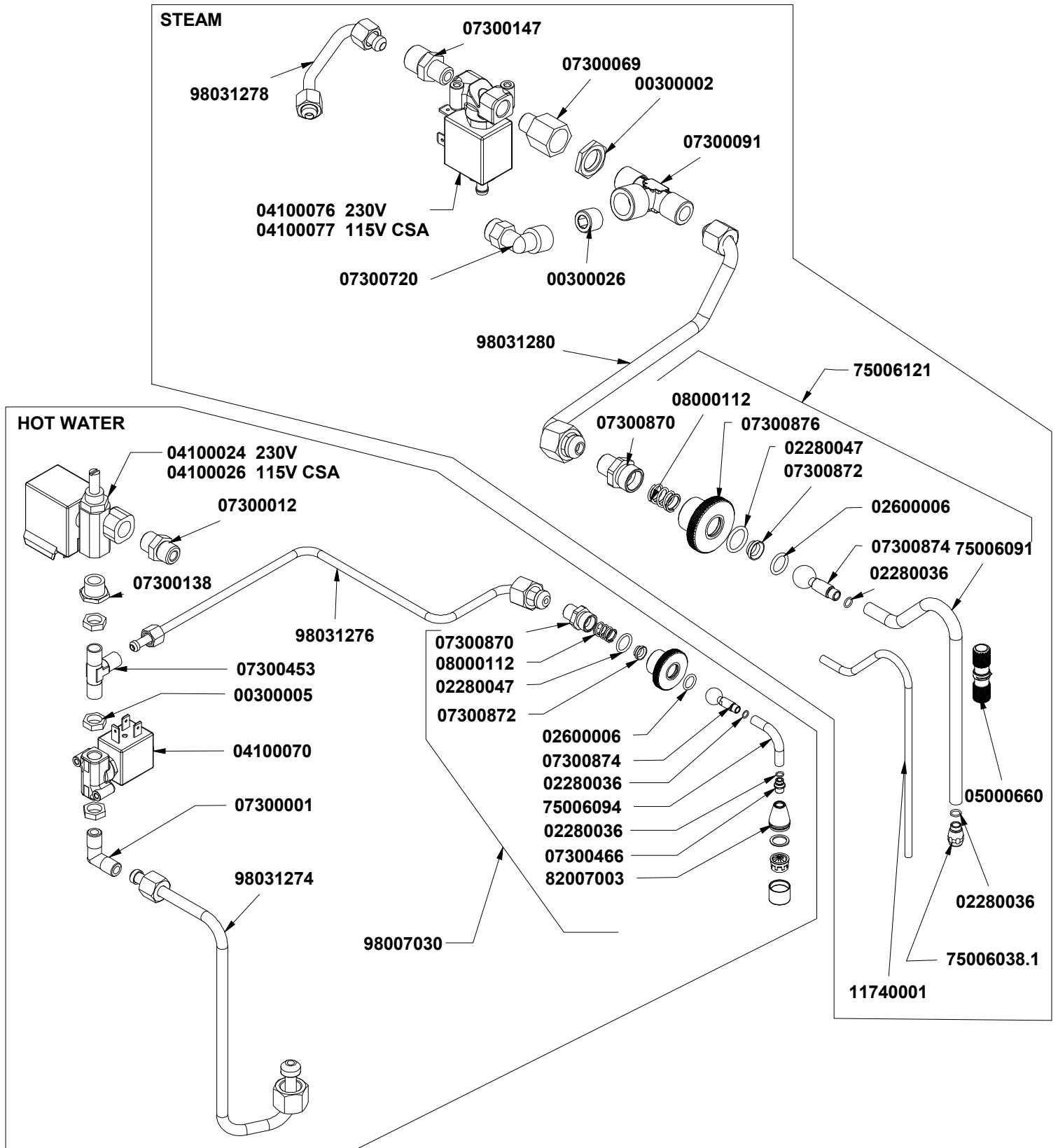
COMPONENTI IDRAULICI

HYDRAULIC PARTS

COD.	DESCRIPTION	DESCRIZIONE	VAL.
05340019	BLACK TAP 3/4 W/ GASKET	TAPPO NERO 3/4 CON GUARNIZIONE	
07300121	FITTING L 1/4 M-M CYLIND ADD. 18.02.97	RACCORDO L 1/4 M-M CILINDRICOAGG. 18.02.97	
07300249	FITTING 1/8M L = 12 3/8F	RACCORDO 1/8M L=12 3/8F	
07300362	STRAIGHT FITTING 1/4 M-FITTINGS.6 340	RACCORDO DIR. 1/4 M-CALZ.6 340	
07300530	FITTING L 1/8 F A CALZ. 347 6	RACCORDO L 1/8 F A CALZ. 347 6	
07300715	T FITTING 1/8 M -FITTINGS.6 -FITTINGS.6	RACCORDO T 1/8 M -CALZAM.6 - CALZAM.6	
07300716	T FITTING 1/4 M -FITTINGS.6 -FITTINGS.6	RACCORDO T 1/4 M -CALZAM.6 - CALZAM.6	
09200022	PRESSURE TRANSDUCER 0-4 BAR 3/8	TRASDUTTORE DI PRESSIONE 0-4 BAR 3/8	
09200024	PRESSURE TRANSDUCER 0-16 BAR 1/4	TRASDUTTORE DI PRESSIONE 0-16 BAR 1/4	
03003962	PUMP SUPPORT BRACKET	STAFFA SUPPORTO POMPA	
03003966	MANOMETER SUPPORT BRACKET	STAFFA SUPPORTO MANOMETRO	
04100078	SOLENOID VALVE 2WAYS 3/4-JG 230V 50/60Hz	E.V. NC 2VIE 3/4-JG 6 DIRITTA 230V 50/60Hz	
04100079	SOLENOID VALVE 2 WAYS 3/4-JG115V 60Hz UL	E.V. NC 2VIE 3/4-JG 6 DIRITTA 115V 60Hz UL	
04100080	SOLENOID VALVE 2 WAYS 3/4-JG6 UL 208/240V60Hz	E.V. NC 2VIE 3/4-JG6 DIRIT. UL 208/240V60Hz	
05000670	LOWER EXHAUST MANIFOLD	COLLETTORE SCARICO INFERIORE	
05000672	UPPER EXHAUST MANIFOLD	COLLETTORE SCARICO SUPERIORE	
07300786	PUMPING REGISTER KNOB	POMELLO REGISTRO POMPANTE	
98031268	PRESSURE SENSOR HOSE	TUBO SENSORE PRESSIONE	



INSPIRED BY YOUR PASSION.



COD.	DESCRIPTION	DESCRIZIONE	VAL.
00300002	BRASS NUT 1/4 D3 CH18	DADO OT 1/4 SPESS.3 CH18 AGG. 22.07.96	
00300005	BRASS NUT 1/8 GAS D4 ADD 22.07.96 CH13	DADO OT 1/8 GAS AGG.22.07.96 SPESS.4 CH13	
00300026	CONICAL TAP 1/4 GAS	TAPPO CONICO 1/4 GAS	
02280036	O RING FOR STEAM WAND NOZZLE D6x1.2 EPDM70 500 P	GUARN. OR X BECCO LANCIA VAP. DI 6X1.2 EPDM70 (CON	
04100024	3WAY SOLENOID 1/4 REGUL 90° 230V50/60Hz F3 CE	E.V. NC 2VIE 1/4 REGOL. 90° 230V 50/60HZ F.3 CE	
04100026	2WAY SOLENOID 1/4 REGUL 90° 115V 60Hz EPDM F3UL	E.V. NC 2VIE 1/4 REGOLAT. 90° 115V 60HZ EPDM F3 UL	
04100070	2WAY SOL. 1/8-1/8 208-240V 50/60Hz VITON	E.V. NC 2VIE 1/8-1/8 208-240V 50/60HZ	
05000660	RUBBER PROTECTION STEAMWAND D10 EAGLE ONE	GOMMINO PROTEZIONE LANCIA D.10 EAGLE ONE	
07300001	L FITTING 1/8 M-M 459	RACCORDO L 1/8 M-M 459	
07300012	FITTING 1/4 1/4M-1/4M Aisi316	RACCORDO 1/4M-1/4M AISI316 ** DARE 07300012.M8 *****	
07300069	1/8" M 1/4" F FITTING ADD. 02.03.88	RACCORDO 1/8"M 1/4"F AGG. 02.03.88	
07300091	T FITTING MFM 1/4 CYLIN.	RACCORDO T 1/4 M-F-M CILIN.	
07300138	FITTING ADAPTER 1/4M-1/8F ES.17	RIDUZIONE 1/4"M - 1/8"F ES.17	
07300147	FITTING 1/4 F.7 1/8 F.5 M-M AGG. 18.06.97	RACCORDO 1/4 F.7 1/8 F.5 M-M AGG. 18.06.97	
07300453	T FITTING 1/8 M-M-M	RACCORDO T 1/8 M-M-M	
07300466	S/S THREADED CONNECTION FOR STEAMWAND PROGR.	RACCORDO FILET. INOX X LANCIA VAPORE	
07300720	L FITTING 1/4 M - FITTINGS	RACCORDO L 1/4 M - CALZAM.	
11740001	TEFLON PIPE 6/4	TUBO TEFLON 6/4	
02280036	O RING FOR STEAM WAND NOZZLE D6x1.2 EPDM70 500 P	GUARN. OR X BECCO LANCIA VAP. DI 6X1.2 EPDM70 (CON	
00300002	BRASS NUT 1/4 D3 CH18	DADO OT 1/4 SPESS.3 CH18 AGG. 22.07.96	
00300005	BRASS NUT 1/8 GAS D4 ADD 22.07.96 CH13	DADO OT 1/8 GAS AGG.22.07.96 SPESS.4 CH13	
00300026	CONICAL TAP 1/4 GAS	TAPPO CONICO 1/4 GAS	
04100024	3WAY SOLENOID 1/4 REGUL 90° 230V50/60Hz F3 CE	E.V. NC 2VIE 1/4 REGOL. 90° 230V 50/60HZ F.3 CE	
04100026	2WAY SOLENOID 1/4 REGUL 90° 115V 60Hz EPDM F3UL	E.V. NC 2VIE 1/4 REGOLAT. 90° 115V 60HZ EPDM F3 UL	
04100070	2WAY SOL. 1/8-1/8 208-240V 50/60Hz VITON	E.V. NC 2VIE 1/8-1/8 208-240V 50/60HZ	
05000660	RUBBER PROTECTION STEAMWAND D10 EAGLE ONE	GOMMINO PROTEZIONE LANCIA D.10 EAGLE ONE	
07300001	L FITTING 1/8 M-M 459	RACCORDO L 1/8 M-M 459	
07300012	FITTING 1/4 1/4M-1/4M Aisi316	RACCORDO 1/4M-1/4M AISI316 ** DARE 07300012.M8 *****	
07300069	1/8" M 1/4" F FITTING ADD. 02.03.88	RACCORDO 1/8"M 1/4"F AGG. 02.03.88	
07300091	T FITTING MFM 1/4 CYLIN.	RACCORDO T 1/4 M-F-M CILIN.	
07300138	FITTING ADAPTER 1/4M-1/8F ES.17	RIDUZIONE 1/4"M - 1/8"F ES.17	
07300147	FITTING 1/4 F.7 1/8 F.5 M-M AGG. 18.06.97	RACCORDO 1/4 F.7 1/8 F.5 M-M AGG. 18.06.97	
07300453	T FITTING 1/8 M-M-M	RACCORDO T 1/8 M-M-M	
07300466	S/S THREADED CONNECTION FOR STEAMWAND PROGR.	RACCORDO FILET. INOX X LANCIA VAPORE	
07300720	L FITTING 1/4 M - FITTINGS	RACCORDO L 1/4 M - CALZAM.	
75006038.1	STEAM NOOZLE M8,65X0,75 F1,2 ESAG.1,2	BECCO VAPORE M8,65X0,75 F. 1,2 ESAG.12	
82007003	HOTWATER DIFFUSER D23,5 F1/8 WITH PLASTIC AER.	ROMPIGETTO ACQUA CALDA D.23,5 F 1/8" CON AER.	
98007030	S/S HOTWATER WAND KIT EAGLE ONE W/ DIFFUSER	KIT LANCIA ACQUA C. INOX COMPL. DI ROMPIGETTO	
02280047	GASKET 17,86x2,62 NBR	GUARN. OR 17,86x2,62 NBR	
02600006	TEFLON GASKET FOR STEAM WAND BALL	GUARN. OR TEFLON xSFERA LANCIA VAPORE	
04100076	SOLENOID VALVE 3 WAYS 1/8-1/8 220-230V 50/60Hz VITON	E.V. NC 3VIE 1/8-1/8 PORTAG. 220-230V 50/60HZ VITON F2,	
04100077	SOLENOID VALVE 3 WAYS 1/8-1/8 115V 60Hz VITON F2,5 L	E.V. NC 3VIE 1/8-1/8 PORTAG. 115V 60HZ VITON F2,5 UL	
07300870	FITTING 3/8 STEAM-WATER ARTICULATED WAND	RACCORDO 3/8 LANCIA SNODATA VAPORE-ACQUA	
07300872	COMPASS JOINT STEAM-WATER WAND	BUSSOLA SNODO LANCIA VAPORE-ACQUA	
07300874	STEAM-WATER WAND STAINLESS STEEL NIPPLE	NIPPLO INOX LANCIA VAPORE-ACQUA	
07300876	STEAM-WATER WAND FIXING RING	GHIERA FISSAGGIO LANCIA VAPORE-ACQUA	
08000112	SPRING FOR ARTICULATED WAND	MOLLA PER LANCIA SNODATA	
75006091	STAINLESS STEAM WAND PIPE	TUBO INOX LANCIA VAPORE	
75006094	STAINLESS STEEL PIPE HOT WATER WAND	TUBO INOX LANCIA ACQUA CALDA	
75006121	COLD STEAM WAND KIT	KIT LANCIA VAPORE FREDDA	
98031274	BOILER PIPE - HOT WATER SOLENOID VALVE	TUBO CALDAIA - E.V. ACQUA CALDA	



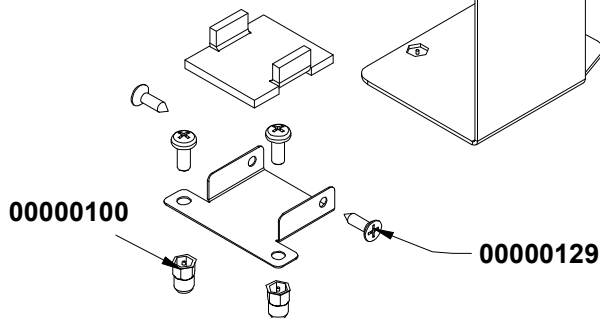
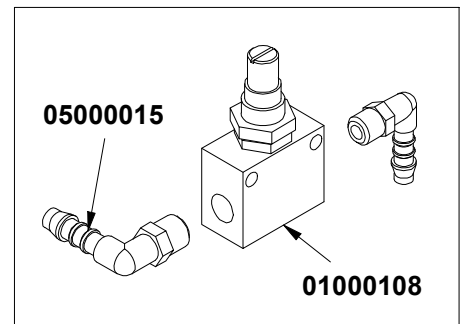
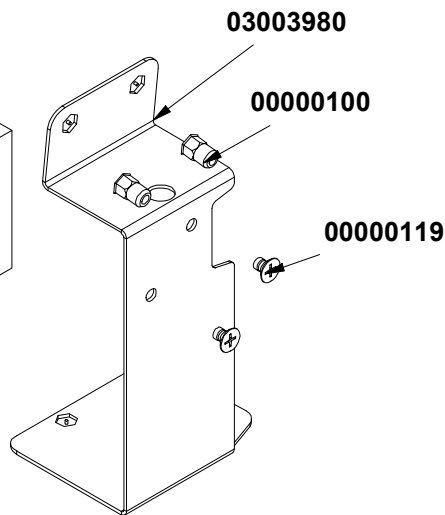
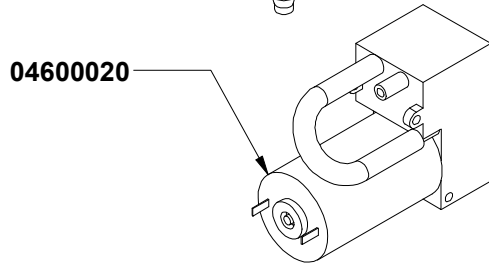
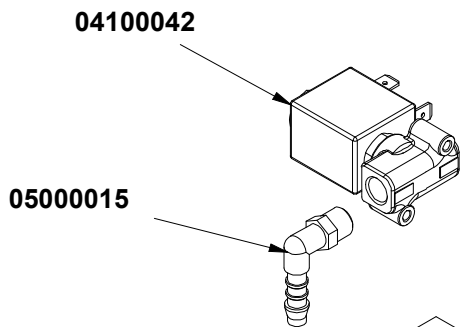
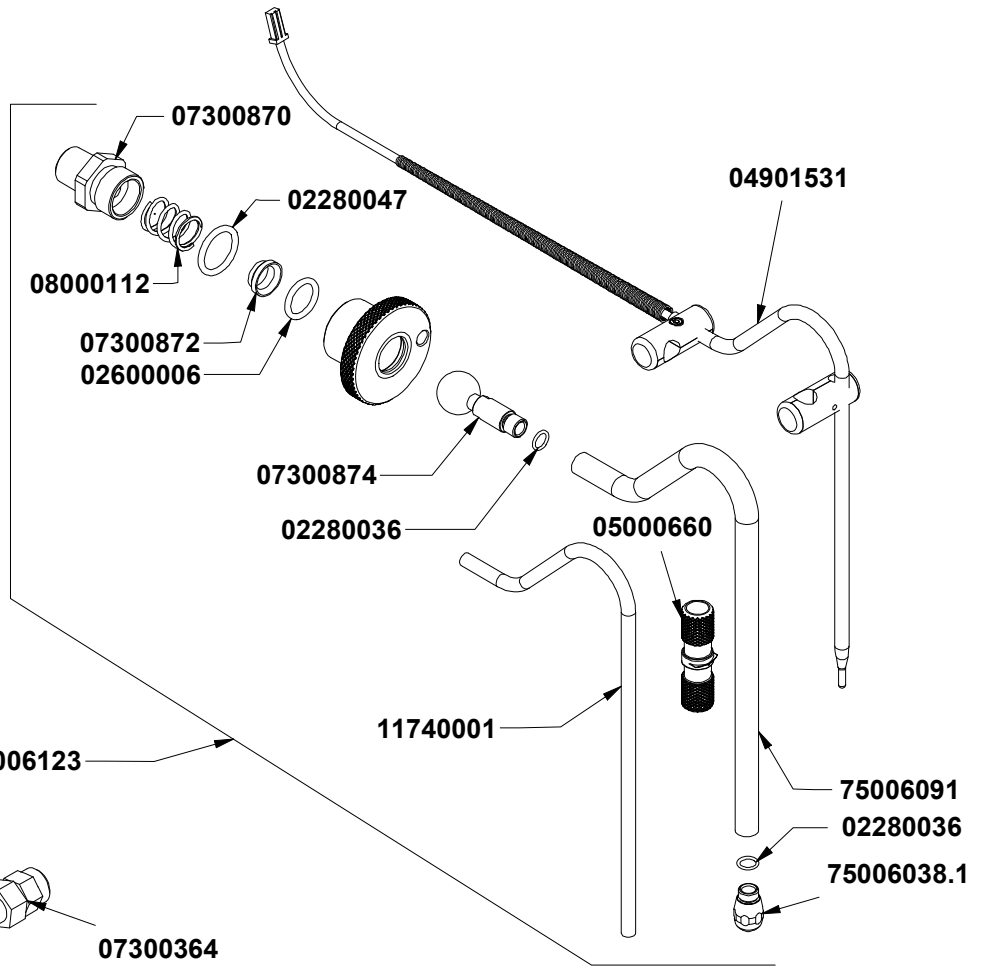
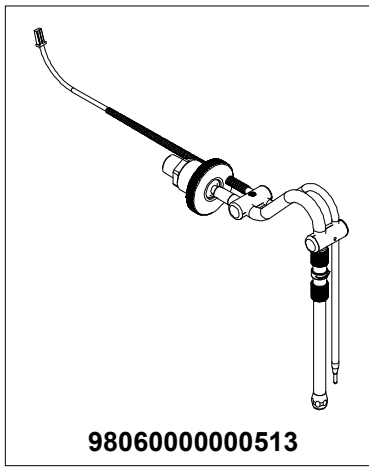
COMP. VAPORE E ACQUA CALDA

STEAM & HOT WATER PARTS

COD.	DESCRIPTION	DESCRIZIONE	VAL.
98031276	HOT WATER WAND PIPE	TUBO LANCIA ACQUA CALDA	
98031278	BOILER PIPE - STEAM SOLENOID VALVE	TUBO CALDAIA - E.V. VAPORE	
98031280	STEAM SOLENOID-STEAM WAND PIPE	TUBO E.V. VAPORE - LANCIA VAPORE	
02280047	GASKET 17,86x2,62 NBR	GUARN. OR 17,86x2,62 NBR	
02600006	TEFLON GASKET FOR STEAM WAND BALL	GUARN. OR TEFLON xSFERA LANCIA VAPORE	
07300870	FITTING 3/8 STEAM-WATER ARTICULATED WAND	RACCORDO 3/8 LANCIA SNODATA VAPORE-ACQUA	



INSPIRED BY YOUR PASSION.





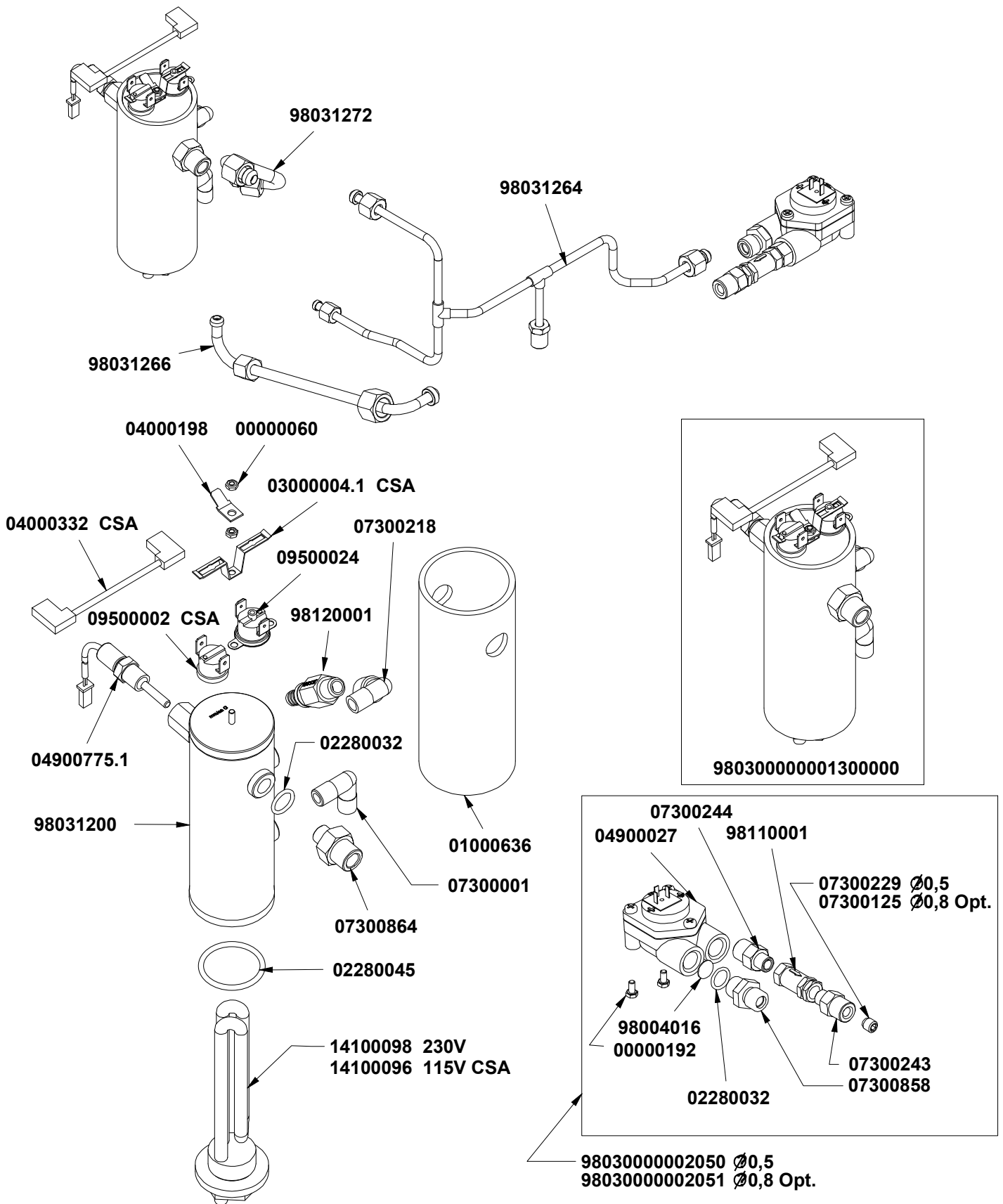
COMPONENTI EASY CREAM

EASY CREAM PARTS

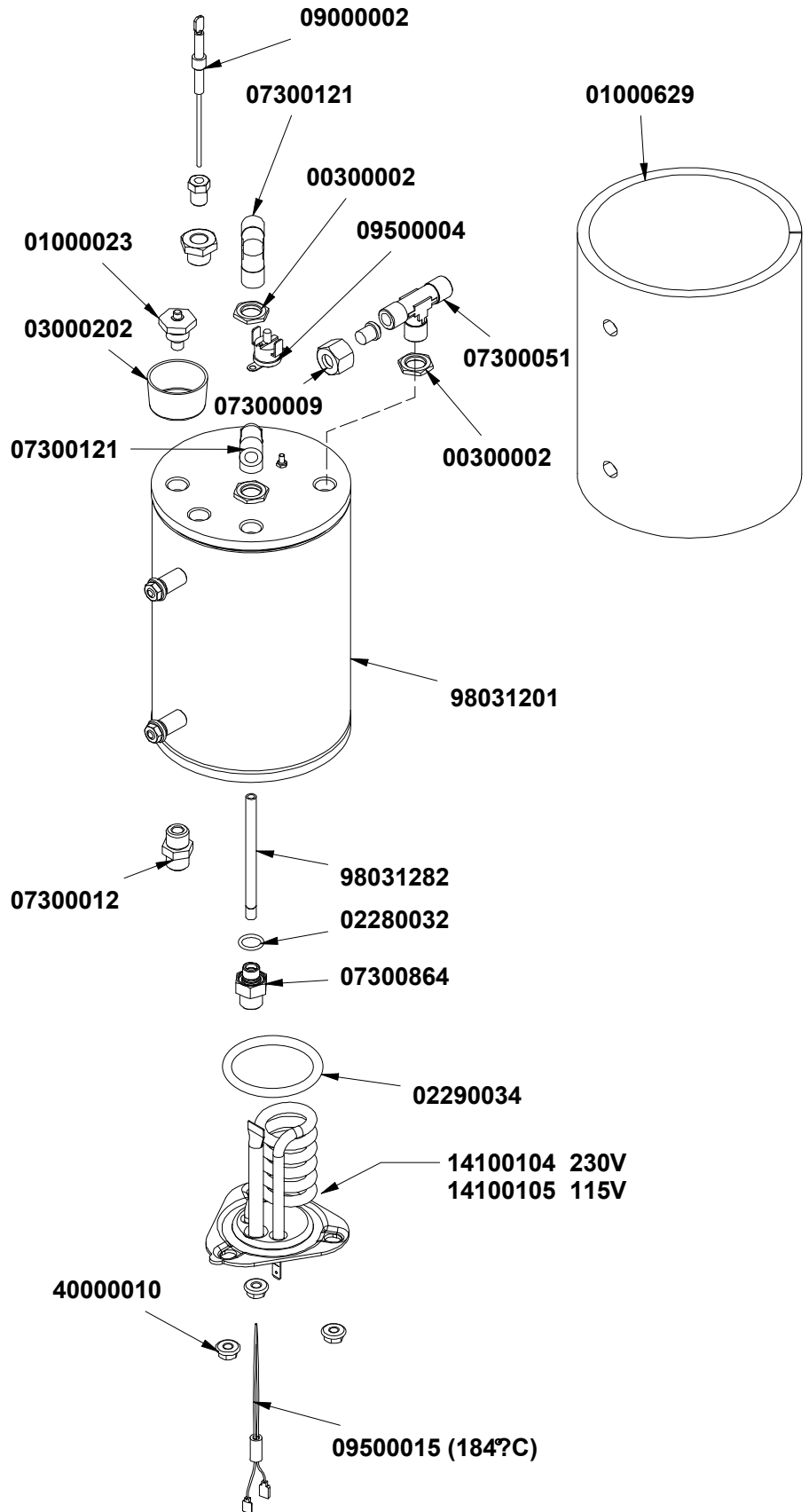
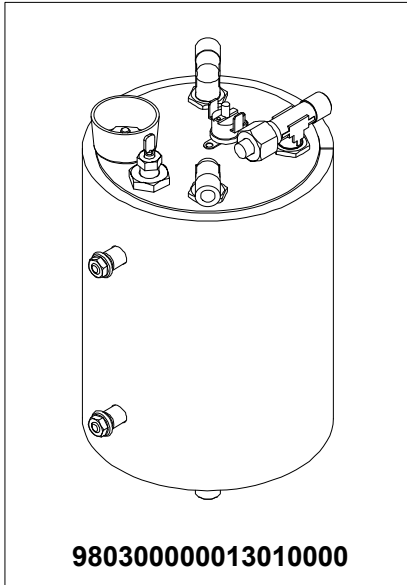
COD.	DESCRIPTION	DESCRIZIONE	VAL.
00000100	M4 HEXAGONAL FTRE RIVET	RIVETTO M4 ESAGONALE FTRE	
00000119	SS CROSS HEAD COUNTERSUNK SCREW M4x6 ISO 7046	VITE INOX M4X6 TSPTCR ISO 7046	
00000129	S/S SELF-TAPPING SLT COUNTERSUNK SCREW 3.5x13	VITE AUTOF INOX 3,5X13 TSP/TCR	
01000108	TAP MRF 1/8 FF 604	RUBINETTO MRF 1/8 F-F 604	
02280036	O RING FOR STEAM WAND NOZZLE D6x1.2 EPDM70 500 P	GUARN. OR X BECCO LANCIA VAP. DI 6X1.2 EPDM70 (CON	
04100042	2WAY SOLENOID 1/8-1/8 220-230V50/60Hz F2 CE TH1xM4	E.V. NC 2VIE 1/8-1/8 220-230V 50/60HZ	
04600020	MICROCOMPRESSOR EASYCREAM TALENTO/AURELIA II	MICROCOMPRESSORE X EASY CREAM TALENTO / AUREL	
05000015	TUBE FASTENING WES 6R 1/8	RACCORDO PORTATUBO WES 6R 1/8	
05000660	RUBBER PROTECTION STEAMWAND D10 EAGLE ONE	GOMMINO PROTEZIONE LANCIA D.10 EAGLE ONE	
07300364	STRAIGHT FITTING 1/8 M CON. - FITTING.6 340	RACCORDO DIR. 1/8 M CON. - CALZAM.6 340	
00000100	M4 HEXAGONAL FTRE RIVET	RIVETTO M4 ESAGONALE FTRE	
01000108	TAP MRF 1/8 FF 604	RUBINETTO MRF 1/8 F-F 604	
11740001	TEFLON PIPE 6/4	TUBO TEFLON 6/4	
00000119	SS CROSS HEAD COUNTERSUNK SCREW M4x6 ISO 7046	VITE INOX M4X6 TSPTCR ISO 7046	
00000129	S/S SELF-TAPPING SLT COUNTERSUNK SCREW 3.5x13	VITE AUTOF INOX 3,5X13 TSP/TCR	
02280036	O RING FOR STEAM WAND NOZZLE D6x1.2 EPDM70 500 P	GUARN. OR X BECCO LANCIA VAP. DI 6X1.2 EPDM70 (CON	
04100042	2WAY SOLENOID 1/8-1/8 220-230V50/60Hz F2 CE TH1xM4	E.V. NC 2VIE 1/8-1/8 220-230V 50/60HZ	
04600020	MICROCOMPRESSOR EASYCREAM TALENTO/AURELIA II	MICROCOMPRESSORE X EASY CREAM TALENTO / AUREL	
05000015	TUBE FASTENING WES 6R 1/8	RACCORDO PORTATUBO WES 6R 1/8	
05000660	RUBBER PROTECTION STEAMWAND D10 EAGLE ONE	GOMMINO PROTEZIONE LANCIA D.10 EAGLE ONE	
07300364	STRAIGHT FITTING 1/8 M CON. - FITTING.6 340	RACCORDO DIR. 1/8 M CON. - CALZAM.6 340	
75006038.1	STEAM NOOZLE M8,65X0,75 F1,2 ESAG.1,2	BECCO VAPORE M8,65X0,75 F. 1,2 ESAG.12	
02280047	GASKET 17,86x2,62 NBR	GUARN. OR 17,86x2,62 NBR	
02600006	TEFLON GASKET FOR STEAM WAND BALL	GUARN. OR TEFLON xSFERA LANCIA VAPORE	
07300870	FITTING 3/8 STEAM-WATER ARTICULATED WAND	RACCORDO 3/8 LANCIA SNODATA VAPORE-ACQUA	
07300872	COMPASS JOINT STEAM-WATER WAND	BUSSOLA SNODO LANCIA VAPORE-ACQUA	
07300874	STEAM-WATER WAND STAINLESS STEEL NIPPLE	NIPPLO INOX LANCIA VAPORE-ACQUA	
08000112	SPRING FOR ARTICULATED WAND	MOLLA PER LANCIA SNODATA	
75006091	STAINLESS STEAM WAND PIPE	TUBO INOX LANCIA VAPORE	
02280047	GASKET 17,86x2,62 NBR	GUARN. OR 17,86x2,62 NBR	
02600006	TEFLON GASKET FOR STEAM WAND BALL	GUARN. OR TEFLON xSFERA LANCIA VAPORE	
03003980	EASY CREAM COMPONENT SUPPORT	SUPPORTO COMPONENTI EASY CREAM	
04901531	PT1000 PROBE FOR STEAM WAND	SONDA PT1000 x LANCIA VAPORE	
07300870	FITTING 3/8 STEAM-WATER ARTICULATED WAND	RACCORDO 3/8 LANCIA SNODATA VAPORE-ACQUA	
75006123	EASY CREAM STEAM WAND KIT	KIT LANCIA VAPORE "EASY CREAM"	
9806000000513	ASSEMBLY JOINT + EASY WAND WITH PROBE	ASS. ATTACCO + LANCIA EASY CON SONDA	



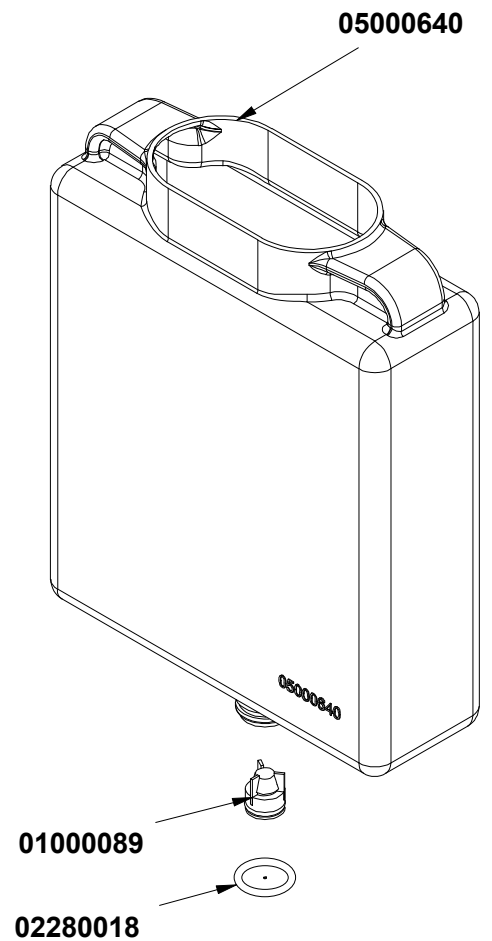
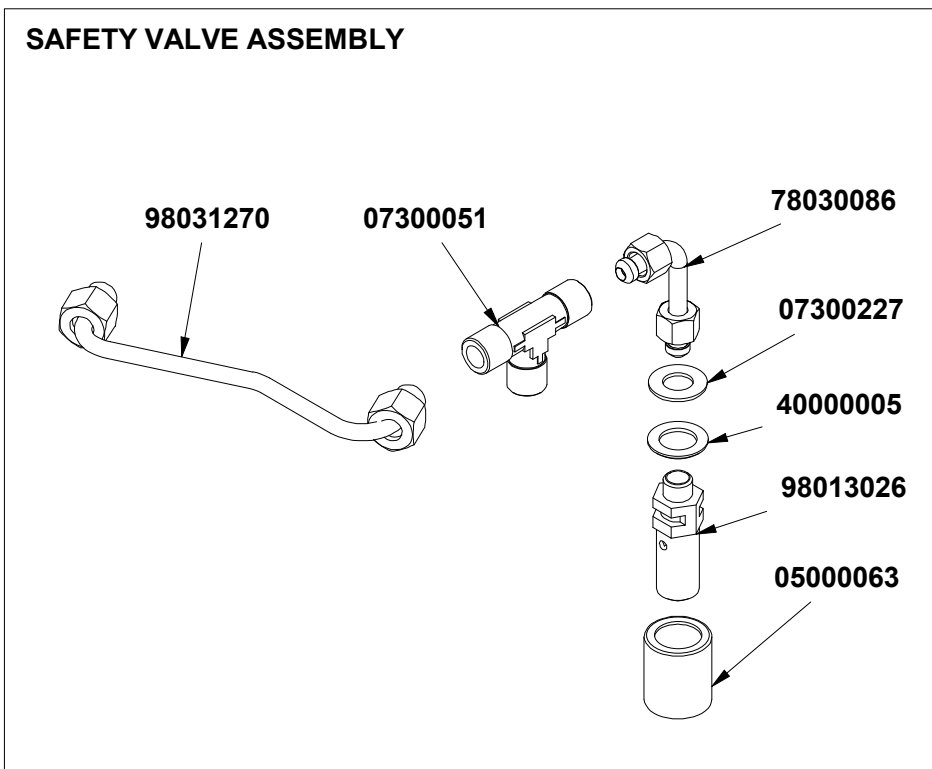
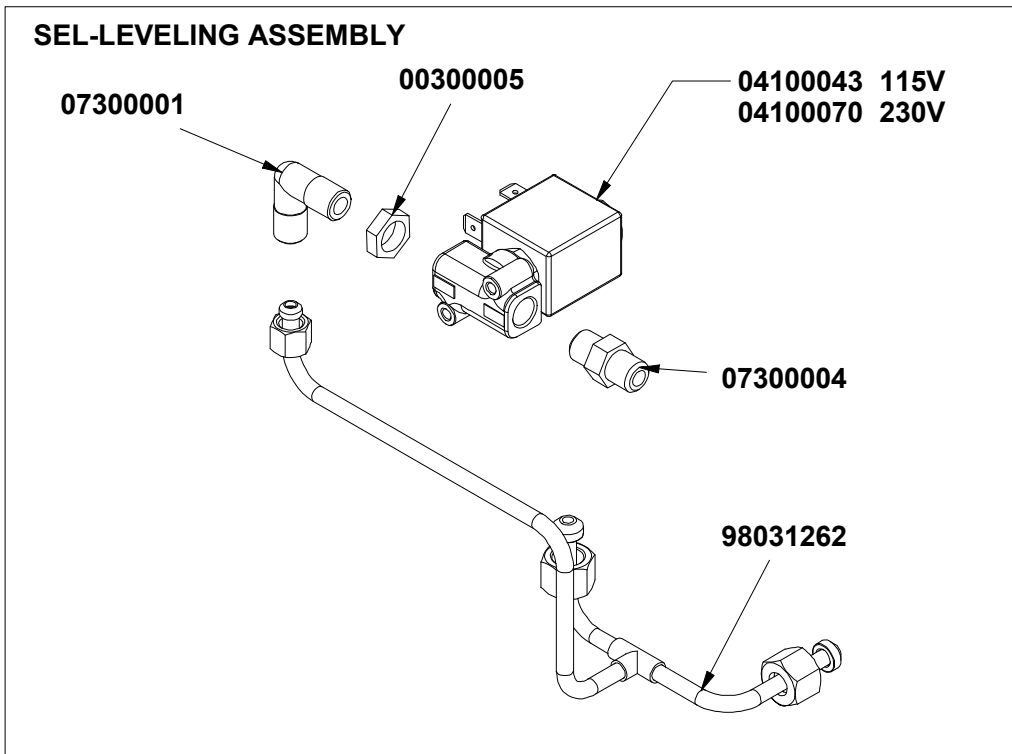
INSPIRED BY YOUR PASSION.



COD.	DESCRIPTION	DESCRIZIONE	VAL.
00000060	GALV MEDIUM NUT AQ M3	DADO AQ M3 MEDIO ZINCATO	
00000192	S/S SCREW M4x8 TE UNI 5739	VITE INOX M4X8 TE UNI 5739	
01000636	COFFEE BOILER INSULATION EAGLE ONE	ISOLANTE CALDAIA CAFFE' EAGLE ONE	
02280032	GASKET O RING 114 D15 EP 851	GUARN. OR 114 D.15 EP 851	
02280045	GASKET O RING 29,82x2,62 EPDM	GUARN. OR 29,82X2,62 EPDM	
03000004.1	DOUBLE BRACKET FOR THERMOSTAT	STAFFA DOPPIA X THERMOSTATO	
04000198	FOIL HOLDER M 6.3 D 4.2 45°	PRESA LAMELLARE M 6.3 D4.2 45°	
04000332	EXT L=85 + FASTON F-F A FLAG AWG18 BROWN	CAVALLOTTO L=85 + FASTON F-F A BANDIERA AWG18 M/	
9803000002050	FLOWMETER T3 EXTERNAL GIGLER 0,5 SET	ASSIEME DOSATORE T3 "GIGLER ESTERNO" GIGLER 0,5	
9803000002051	FLOWMETER T3 EXTERNAL GIGLER 0,8 SET	ASSIEME DOSATORE T3 "GIGLER ESTERNO" GIGLER 0,8	
04900027	BRASS FLOWMETER 1/4-1/4GAS -ATT. HEAD 2,8x0,5	DOSATORE VOLUMETRICO OTT. 1/4-1/4GAS	
04900775.1	TEMPERATURE PROBE 150°NTC ATT. 1/8 SS 4X20	SONDA TEMPERATURA 150 ATT. 1/8 INOX 4X20 AMP	
07300001	L FITTING 1/8 M-M 459	RACCORDO L 1/8 M-M 459	
07300125	GIGLEUR M8x8 F.0,8 OT-57 +TEA	GIGLER M8X8 F.0,8 OT-57 +TEA	
07300218	FITTING L 1/8 M-F 458	RACCORDO L 1/8 M-F 458	
07300229	GIGLEUR M8X8 F.0,5 OT-57 + TEA	GIGLER M8X8 F.0,5 OT-57 +TEA	
07300243	FITTING 1/4M 1/8M GIGLER F.0,5	RACCORDO 1/4M 1/8M GIGLER F.0,5 AISI303	
07300244	FITTING 1/4M 1/8M + THREADED M8 Aisi303	RACCORDO 1/4M 1/8M + FILETT.M8 AISI303	
07300858	FITTING 1/4M-1/4M OT-57 USA	RACCORDO 1/4M-1/4M OT-57 USA	
07300864	FITTING 1/4M 1/8M + THREADED M6 Aisi316 +	RACCORDO 1/4M 1/8M + FILETT.M6 + SEDE OR	
09500002	AUTOMATIC THERMOSTAT 125°C WHITE DRIPPING	TERMOSTATO RIARMO AUTO. 125°C	
09500024	MANUAL THERMOSTAT 135°C TRIP FREE GREEN DRIPPING	TERMOSTATO R.MAN. 135°C TRIP FREE GOCCIOLATURA	
01000636	COFFEE BOILER INSULATION EAGLE ONE	ISOLANTE CALDAIA CAFFE' EAGLE ONE	
14100098	HEATING ELEMENT 3/4 600W 230V INCOLOY800	RESISTENZA 3/4 600W 230V INCOLOY800	
00000192	S/S SCREW M4x8 TE UNI 5739	VITE INOX M4X8 TE UNI 5739	
02280032	GASKET O RING 114 D15 EP 851	GUARN. OR 114 D.15 EP 851	
02280045	GASKET O RING 29,82x2,62 EPDM	GUARN. OR 29,82X2,62 EPDM	
04000198	FOIL HOLDER M 6.3 D 4.2 45°	PRESA LAMELLARE M 6.3 D4.2 45°	
04000332	EXT L=85 + FASTON F-F A FLAG AWG18 BROWN	CAVALLOTTO L=85 + FASTON F-F A BANDIERA AWG18 M/	
04900027	BRASS FLOWMETER 1/4-1/4GAS -ATT. HEAD 2,8x0,5	DOSATORE VOLUMETRICO OTT. 1/4-1/4GAS	
00000060	GALV MEDIUM NUT AQ M3	DADO AQ M3 MEDIO ZINCATO	
07300001	L FITTING 1/8 M-M 459	RACCORDO L 1/8 M-M 459	
07300125	GIGLEUR M8x8 F.0,8 OT-57 +TEA	GIGLER M8X8 F.0,8 OT-57 +TEA	
07300218	FITTING L 1/8 M-F 458	RACCORDO L 1/8 M-F 458	
07300229	GIGLEUR M8X8 F.0,5 OT-57 + TEA	GIGLER M8X8 F.0,5 OT-57 +TEA	
07300243	FITTING 1/4M 1/8M GIGLER F.0,5	RACCORDO 1/4M 1/8M GIGLER F.0,5 AISI303	
07300244	FITTING 1/4M 1/8M + THREADED M8 Aisi303	RACCORDO 1/4M 1/8M + FILETT.M8 AISI303	
07300858	FITTING 1/4M-1/4M OT-57 USA	RACCORDO 1/4M-1/4M OT-57 USA	
07300864	FITTING 1/4M 1/8M + THREADED M6 Aisi316 +	RACCORDO 1/4M 1/8M + FILETT.M6 + SEDE OR	
09500002	AUTOMATIC THERMOSTAT 125°C WHITE DRIPPING	TERMOSTATO RIARMO AUTO. 125°C	
09500024	MANUAL THERMOSTAT 135°C TRIP FREE GREEN DRIPPING	TERMOSTATO R.MAN. 135°C TRIP FREE GOCCIOLATURA	
98004016	S/S FILTER D12	FILTRO INOX DIAM. 12	
98031200	S/S WELDED COFFEE BOILER D42,5	CALDAIA SALD. ACCIAIO INOX D.42,5 CAFFE'	
98110001	RETURN VALVE 1/8 F-FOT-58	VALVOLA RITEGNO COMPL. 1/8 F-FOT-58	
98120001	NEPLAX VITON 16,5 BAR VALVE 1/8 HOSE CLAMP	VALVOLA NEPLAX VITON 16,5 BAR 1/8 - PORTAGOMMA	
14100096	RESISTANCE 3/4 600W 115V	RESISTENZA 3/4 600W 115V	
98031264	COLD WATER CROSSPIECE	CROCIERA ACQUA FREDDA	
98031266	DOSER PIPE - COFFEE BOILER	TUBO DOSATORE - CALDAIA CAFFE'	
98031272	COFFEE BOILER PIPE - DISPENSING GROUP	TUBO CALDAIA CAFFE' - GR.EROG.	



COD.	DESCRIPTION	DESCRIZIONE	VAL.
00300002	BRASS NUT 1/4 D3 CH18	DADO OT 1/4 SPESS.3 CH18 AGG. 22.07.96	
01000023	ANTI VACUUM VALVE	VALVOLINA SFIATO	
02280032	GASKET O RING 114 D15 EP 851	GUARN. OR 114 D.15 EP 851	
02290034	GASKET O RING 6187 D47x5,34 VITON FDA	GUARN. OR 6187 D.47X5,34 VITON FDA	
03000202	CONDENSATION TRAY MASTER	VASCHETTA RACCOGLI CONDENSA AGG. 07.06.97	
07300009	NUT FITTING 1/4 GAS	DADO RACCORDO 1/4 GAS	
07300012	FITTING 1/4 1/4M-1/4M Aisi316	RACCORDO 1/4M-1/4M AISI316 ** DARE 07300012.M8 *****	
07300051	FITTING T 1/4 M-M-M CYLIN.	RACCORDO T 1/4 M-M-M CILIN.	
07300121	FITTING L 1/4 M-M CYLIND ADD. 18.02.97	RACCORDO L 1/4 M-M CILINDRICOAGG. 18.02.97	
07300864	FITTING 1/4M 1/8M + THREADED M6 Aisi316 +	RACCORDO 1/4M 1/8M + FILETT.M6 + SEDE OR	
09500004	MANUAL THERMOSTAT 135°C GREEN DRIPPING	TERMOSTATO R.MAN. 135C GOCCIOLATURA VERDE	
09500015	HEATING ELEMENT THERMAL PROTECTION G5 184°C 16/	TERMOPROTETTORE X RES. G5 184C 16A 250V UL	
01000023	ANTI VACUUM VALVE	VALVOLINA SFIATO	
02280032	GASKET O RING 114 D15 EP 851	GUARN. OR 114 D.15 EP 851	
02290034	GASKET O RING 6187 D47x5,34 VITON FDA	GUARN. OR 6187 D.47X5,34 VITON FDA	
00300002	BRASS NUT 1/4 D3 CH18	DADO OT 1/4 SPESS.3 CH18 AGG. 22.07.96	
03000202	CONDENSATION TRAY MASTER	VASCHETTA RACCOGLI CONDENSA AGG. 07.06.97	
40000010	NUT M6 W/ WELDED GALV WASHER	DADO AQ M6 RONDELLA SALDATA ZINCATO	
07300009	NUT FITTING 1/4 GAS	DADO RACCORDO 1/4 GAS	
07300012	FITTING 1/4 1/4M-1/4M Aisi316	RACCORDO 1/4M-1/4M AISI316 ** DARE 07300012.M8 *****	
07300051	FITTING T 1/4 M-M-M CYLIN.	RACCORDO T 1/4 M-M-M CILIN.	
07300121	FITTING L 1/4 M-M CYLIND ADD. 18.02.97	RACCORDO L 1/4 M-M CILINDRICOAGG. 18.02.97	
07300864	FITTING 1/4M 1/8M + THREADED M6 Aisi316 +	RACCORDO 1/4M 1/8M + FILETT.M6 + SEDE OR	
09500004	MANUAL THERMOSTAT 135°C GREEN DRIPPING	TERMOSTATO R.MAN. 135C GOCCIOLATURA VERDE	
09500015	HEATING ELEMENT THERMAL PROTECTION G5 184°C 16/	TERMOPROTETTORE X RES. G5 184C 16A 250V UL	
01000629	STEAM BOILER INSULATION	ISOLANTE CALDAIA VAPORE	
09000002	SELF-LEVEL PROBE COMP. L = 105 WITH THROAT	SONDA AUTOLIVELLO COMP. L=105 CON GOLA	
14100104	STAINLESS STEEL FLANGE RESISTANCE 1600W 230V	RESISTENZA FLANGIA INOX 1600W 230V	
14100105	STAINLESS STEEL FLANGE RESISTANCE 1600W 115V	RESISTENZA FLANGIA INOX 1600W 115V	
98031201	STAINLESS STEEL WELDED BOILER D.114.3	CALDAIA SALD. ACCIAIO INOX D.114.3	
98031282	HOT WATER DRAFT HOSE	TUBO PESCAGGIO ACQUA CALDA	





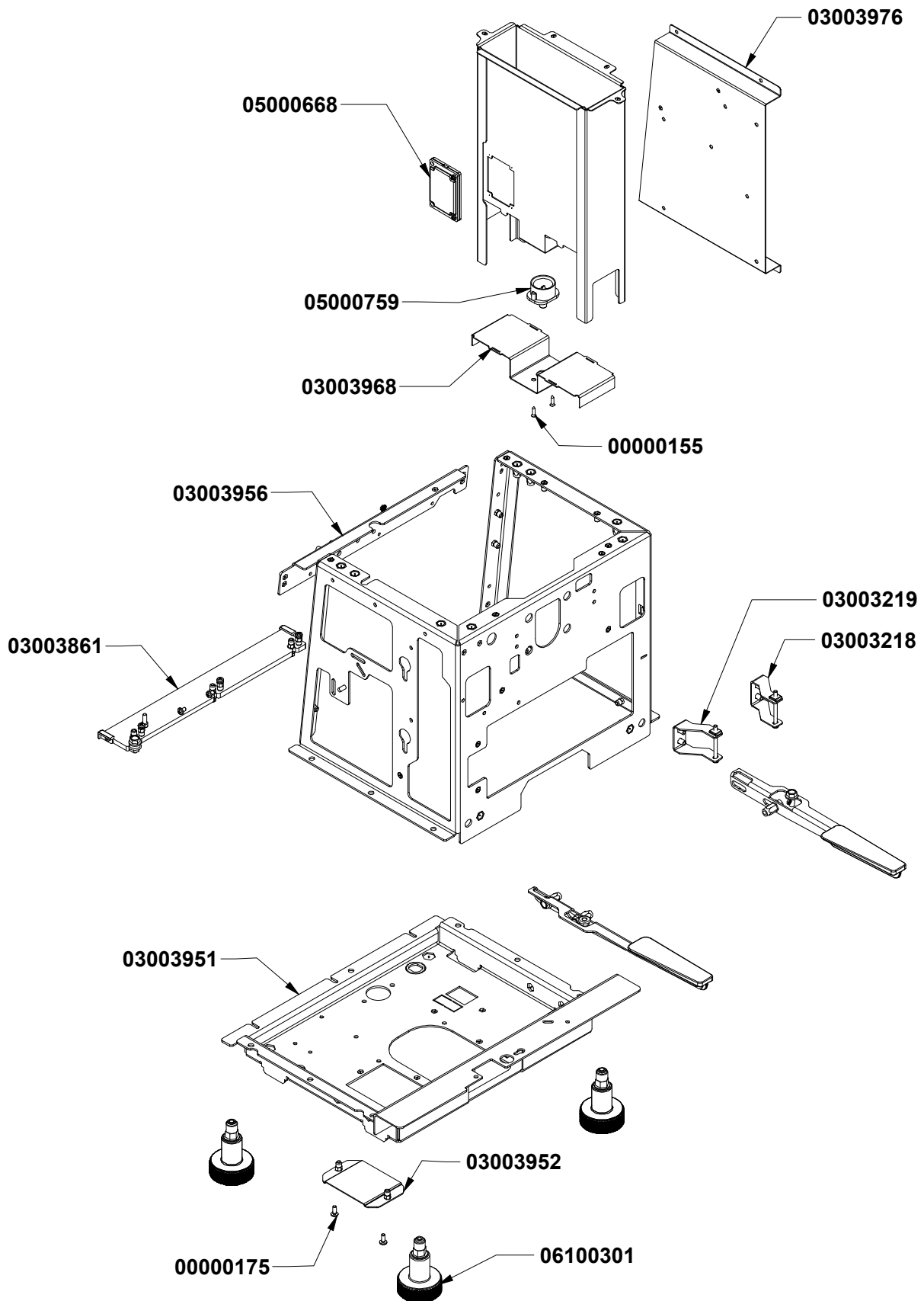
ASSIEME AUTOLIV.+VAL.

SICUR.+TANICA SELF-LEVELING+SAFETY VALVE

COD.	DESCRIPTION	DESCRIZIONE	VAL.
00300005	BRASS NUT 1/8 GAS D4 ADD 22.07.96 CH13	DADO OT 1/8 GAS AGG.22.07.96 SPESS.4 CH13	
01000089	RETAINING VALVE D14	VALVOLINA DI RITEGNO D.14	
02280018	RED SILICON GASKET O RING Sh70	GUARN. OR R11 D19 SILICONE ROSSO SH70	
04100043	2WAY SOLENOID 1/8-1/8 110-120V 60Hz F2 UL	E.V. NC 2VIE 1/8-1/8 110-120V 60HZ	
04100070	2WAY SOL. 1/8-1/8 208-240V 50/60Hz VITON	E.V. NC 2VIE 1/8-1/8 208-240V 50/60HZ	
05000063	SAFETY VALVE COVER PA6	COPRI VALVOLA SICUREZZA PA6	
07300001	L FITTING 1/8 M-M 459	RACCORDO L 1/8 M-M 459	
07300004	FITTING 1/8-1/8 DIRECT GAS	RACC. 1/8-1/8 GAS DIRITTO	
07300051	FITTING T 1/4 M-M-M CYLIN.	RACCORDO T 1/4 M-M-M CILIN.	
07300227	BRASS WASHER D.26X13,5X1,5 ADD.5.06.03	RONDELLA OT D.26X13,5X1,5 AGG.5.06.03	
01000089	RETAINING VALVE D14	VALVOLINA DI RITEGNO D.14	
02280018	RED SILICON GASKET O RING Sh70	GUARN. OR R11 D19 SILICONE ROSSO SH70	
00300005	BRASS NUT 1/8 GAS D4 ADD 22.07.96 CH13	DADO OT 1/8 GAS AGG.22.07.96 SPESS.4 CH13	
40000005	BRASS WASHER 27x17x2 ROUGH	RONDELLA OT 27X17X2 GREZZA	
04100043	2WAY SOLENOID 1/8-1/8 110-120V 60Hz F2 UL	E.V. NC 2VIE 1/8-1/8 110-120V 60HZ	
04100070	2WAY SOL. 1/8-1/8 208-240V 50/60Hz VITON	E.V. NC 2VIE 1/8-1/8 208-240V 50/60HZ	
05000063	SAFETY VALVE COVER PA6	COPRI VALVOLA SICUREZZA PA6	
07300001	L FITTING 1/8 M-M 459	RACCORDO L 1/8 M-M 459	
07300004	FITTING 1/8-1/8 DIRECT GAS	RACC. 1/8-1/8 GAS DIRITTO	
07300051	FITTING T 1/4 M-M-M CYLIN.	RACCORDO T 1/4 M-M-M CILIN.	
07300227	BRASS WASHER D.26X13,5X1,5 ADD.5.06.03	RONDELLA OT D.26X13,5X1,5 AGG.5.06.03	
78030086	LEVEL SOLENOID PIPE CSA	TUBO EV. LIV. CSA SOLO PER CALDAIA CON FLANGIA	
05000640	WATER CONTAINER 1,5LT	CONTENITORE ACQUA 1,5LT	
98013026	SAFETY VALVE D7-S 3 BAR 1/4 "VITON 97/23 / EC	VALVOLA SICUREZZA D7-S 3 BAR 1/4" VITON 97/23/CE	
98031262	SELF-LEVELING PIPE	TUBO AUTOLIVELLO	
98031270	BOILER PIPE - CSA PRESSURE SWITCH	TUBO CALDAIA - PRESSOSTATO CSA	



INSPIRED BY YOUR PASSION.





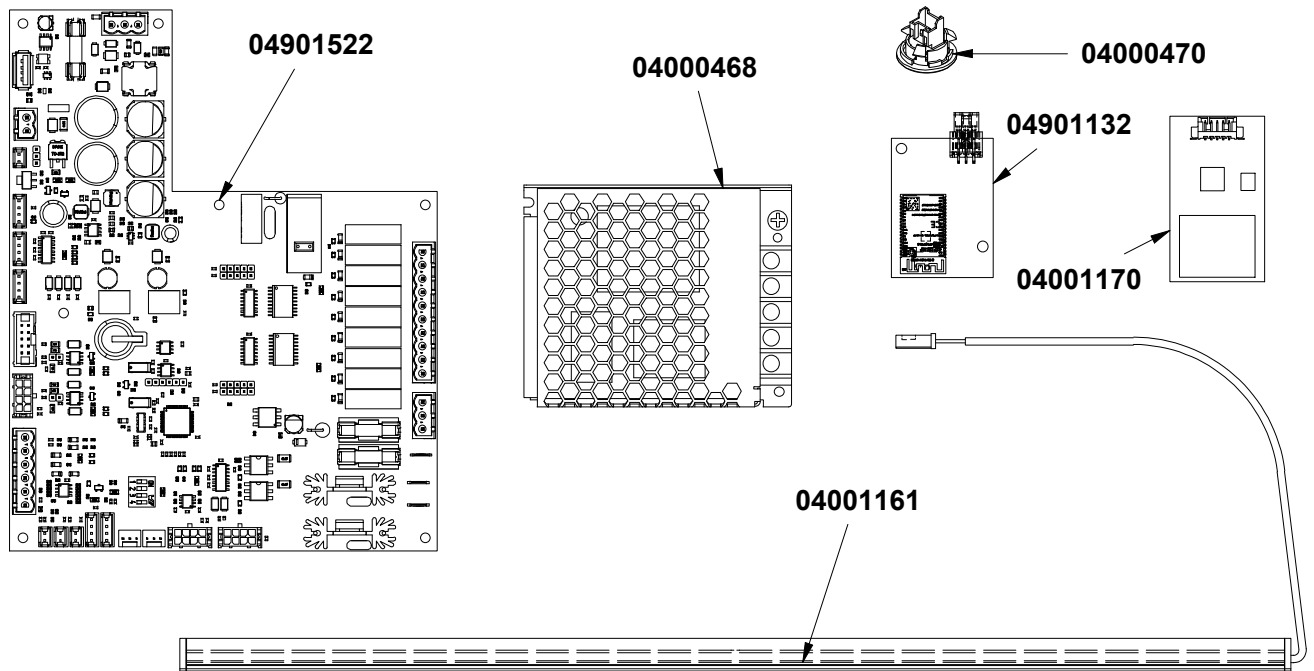
COMPONENTI TELAIO

FRAME PARTS

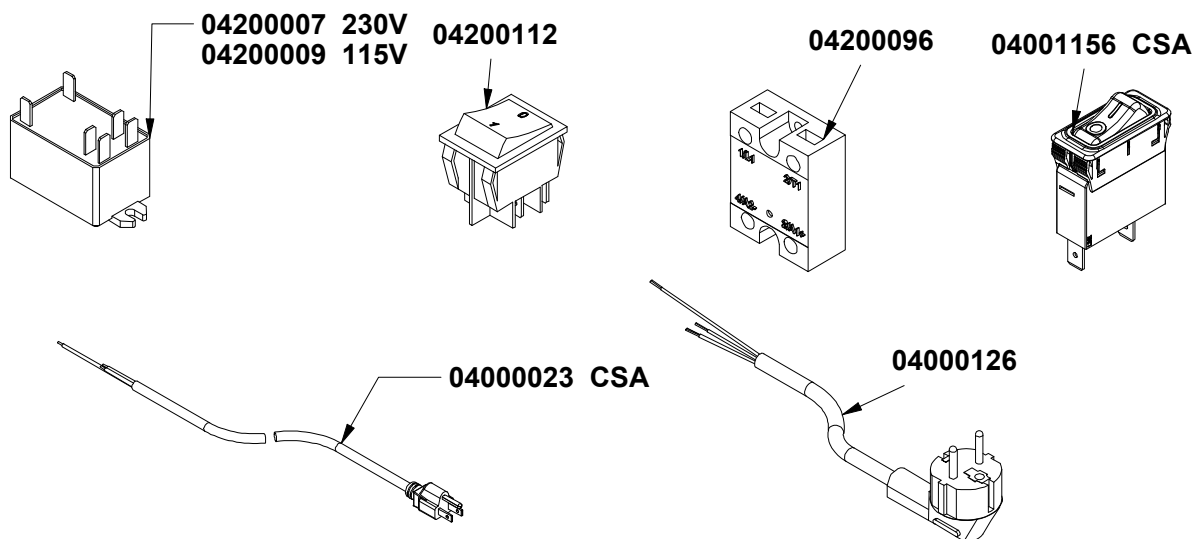
COD.	DESCRIPTION	DESCRIZIONE	VAL.
00000155	S/S SCREW 3x12 TSPTCR DIN 7505 A	VITE INOX TRUCIOL. 3X12 TSPTCR18-8 DIN 7505 A	
00000175	S/S CROSS HEAD CAP SCREW M4X10	VITE INOX M4X10 TC TCR	
03003218	RIGHT SUPPORT COVER GROUP VA388	LAMIERA DX SUPP. COPRIGRUPPO VA388	
03003219	LEFT SUPPORT COVER GROUP VA388	LAMIERA SX SUPP. COPRIGRUPPO VA388	
03003861	REAR INFERIOR PROFILE EAGLE ONE 1GR ALLUMINUM	PROFILO RETRO INFERIORE 1GR ALLUMINIO	
05000759	WATER CONTAINER COLLECTOR 5LT MICROBAR	COLLETTORE CONTENITORE ACQUA 5LT MICROBAR	
00000155	S/S SCREW 3x12 TSPTCR DIN 7505 A	VITE INOX TRUCIOL. 3X12 TSPTCR18-8 DIN 7505 A	
00000175	S/S CROSS HEAD CAP SCREW M4X10	VITE INOX M4X10 TC TCR	
03003218	RIGHT SUPPORT COVER GROUP VA388	LAMIERA DX SUPP. COPRIGRUPPO VA388	
03003219	LEFT SUPPORT COVER GROUP VA388	LAMIERA SX SUPP. COPRIGRUPPO VA388	
03003861	REAR INFERIOR PROFILE EAGLE ONE 1GR ALLUMINUM	PROFILO RETRO INFERIORE 1GR ALLUMINIO	
05000759	WATER CONTAINER COLLECTOR 5LT MICROBAR	COLLETTORE CONTENITORE ACQUA 5LT MICROBAR	
03003951	FRAME BASE	BASE TELAIO	
03003952	BASE BOTTOM COVER	COPERCHIO FONDO BASAMENTO	
03003956	REAR UPPER SHEET	LAMIERA SUPER. POSTERIORE	
03003968	WATER CONTAINER SUPPORT	SUPPORTO CONTENITORE ACQUA	
03003976	MAIN BOARD SUPPORT	SUPPORTO CENTRALINA	
05000668	CAPACITIVE PRESSURE SWITCH SUPPORT	SUPPORTO PRESSOSTATO CAPACITIVO	
06100301	FOOT MACHINE	PIEDE MACCHINA	



INSPIRED BY YOUR PASSION.



CODE	DESCRIPTION	DESCRIZIONE
04000244	PRESSURE TRANSDUCER CONN. CABLE	CAVO COLL. TRASDUTTORE PRESSIONE
04001128	WIRING HIGH VOLTAGE 115V	CABLAGGIO ALTA TENSIONE 115V
04001130	WIRING HIGH VOLTAGE 230V	CABLAGGIO ALTA TENSIONE 230V
04001131	WIRING LOW VOLTAGE	CABLAGGIO BASSA TENSIONE
04001144	SUPP. WIRING EASY CREAM	SUPPL. CABLAGGIO EASY CREAM
04001172	CABLE TANK SENSOR-MAIN BOARD	CAVO SENSORE TANICA-CENTRALINA
04001174	WIFI MODULE CABLE	CAVO MODULO WIFI



COD.	DESCRIPTION	DESCRIZIONE	VAL.
04000023	SUPPLY CABLE UL AWG3X16 PLUG SHEATH 90°C 300V	CAVO AL.+SPINA UL AWG3X16 GUAINA 90°C 300V	
04000126	ELECTRIC CABLE 2MT CE SCHUKO PLUG 90° 3X1,5	CAVO ELETTR. 2MT CE SPINA SCHUKO 90° 3X1,5 H05VV-F	
04000244	3POLE CONN CABLE RAST 2.5/MOLEX L = 800mm for PST)	CAVO COLL.3P RAST 2,5/MOLEX L.800MM X TRASDUTTOF	
04000468	TRANSFORMER 24VDC 50W OPTIONAL AURELIA18 LRS 5	TRASFORMATORE 24V 50W OPTIONALS AURELIA18 LRS :	
04000470	12VDC LED SPOT AURELIA WAVE	LED AURELIA18 12V	
04001161	LED STRIP	STRIP LED	
04200007	POWER RELAY 30A 230V BIPOLAR	RELE' DI POTENZA 30A 230V BIPOLARE	
04200009	POWER RELAY 30A 115V BIPOLAR	RELE' DI POTENZA 30A 115 V BIPOLARE	
04200096	STATIC RELAY 25A 250V 1OUT	RELE' STATICO 25A 250V 1OUT	
04200112	RED LIGHT 0/1 BIPOLAR SWITCH UL 16A	INTERRUTTORE BIPOLARE LUMINOSO ROSSO 0/1 RETTA	
04000023	SUPPLY CABLE UL AWG3X16 PLUG SHEATH 90°C 300V	CAVO AL.+SPINA UL AWG3X16 GUAINA 90°C 300V	
04000126	ELECTRIC CABLE 2MT CE SCHUKO PLUG 90° 3X1,5	CAVO ELETTR. 2MT CE SPINA SCHUKO 90° 3X1,5 H05VV-F	
04000244	3POLE CONN CABLE RAST 2.5/MOLEX L = 800mm for PST)	CAVO COLL.3P RAST 2,5/MOLEX L.800MM X TRASDUTTOF	
04000468	TRANSFORMER 24VDC 50W OPTIONAL AURELIA18 LRS 5	TRASFORMATORE 24V 50W OPTIONALS AURELIA18 LRS :	
04000470	12VDC LED SPOT AURELIA WAVE	LED AURELIA18 12V	
04200007	POWER RELAY 30A 230V BIPOLAR	RELE' DI POTENZA 30A 230V BIPOLARE	
04200009	POWER RELAY 30A 115V BIPOLAR	RELE' DI POTENZA 30A 115 V BIPOLARE	
04200096	STATIC RELAY 25A 250V 1OUT	RELE' STATICO 25A 250V 1OUT	
04200112	RED LIGHT 0/1 BIPOLAR SWITCH UL 16A	INTERRUTTORE BIPOLARE LUMINOSO ROSSO 0/1 RETTA	
04001128	WIRING 115 HIGH VOLTAGE	CABLAGGIO 115V ALTA TENSIONE	
04001130	WIRING 230 HIGH VOLTAGE	CABLAGGIO 230V ALTA TENSIONE	
04001131	WIRING LOW VOLTAGE	CABLAGGIO BASSA TENSIONE	
04001144	SUPPL. WIRING WASY CREAM	SUPPL. CABLAGGIO EASY CREAM	
04001156	CSA THERMAL DISJUNCER	DISGIUNTORE TERMICO CSA	
04001170	PRESENCE TANK SENSOR	SENSORE PRESENZA TANICA	
04001172	CONN. CABLE TANK SENSOR-MAIN BOARD	CAVO COLL. SENSORE TANICA - CENTRALINA	
04001174	WIFI MODULE CABLE-MAIN BOARD	CAVO MODULO WIFI2020 - CENTRALINA	
04901132	WIFI MODULE	MODULO WIFI2020	
04901522	MAIN BOARD	CENTRALINA	

Victoria Arduino



INSPIRED BY YOUR PASSION.

Simonelli Group s.p.a.

Via E. Betti, 1 - 62020 Belforte
del Chienti - (MC) Italy

Tel. +39 0733.950243 - Fax +39
0733.850247

e-mail: info@victoriaarduino.com
com www.victoriaarduino.com