

**CONTENTS**

|                                       |        |
|---------------------------------------|--------|
| 1) Foreword .....                     | page 2 |
| 2) Dimensions .....                   | 2      |
| 3) General description .....          | 3      |
| 4) Packaging .....                    | 3      |
| 5) Disposal .....                     | 3      |
| 6) Use .....                          | 4      |
| 7) Installation and wiring .....      | 4      |
| 8) Operation of the appliance .....   | 5      |
| 9) Warnings regarding operation ..... | 8      |
| 10) Safety devices .....              | 9      |
| 11) Warnings regarding safety .....   | 10     |
| 12) Noise levels .....                | 10     |
| 13) Maintenance .....                 | 11     |
| 14) Cleaning the appliance .....      | 11     |

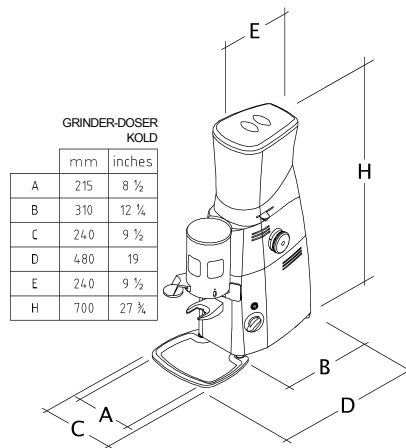
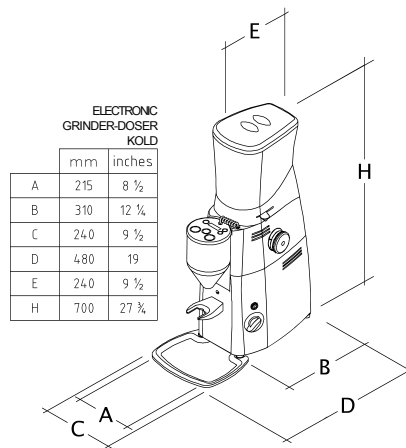
## 1) FOREWORD

Read this manual from cover to cover before using the appliance as it contains important instructions for the safety, operation and maintenance of the appliance.

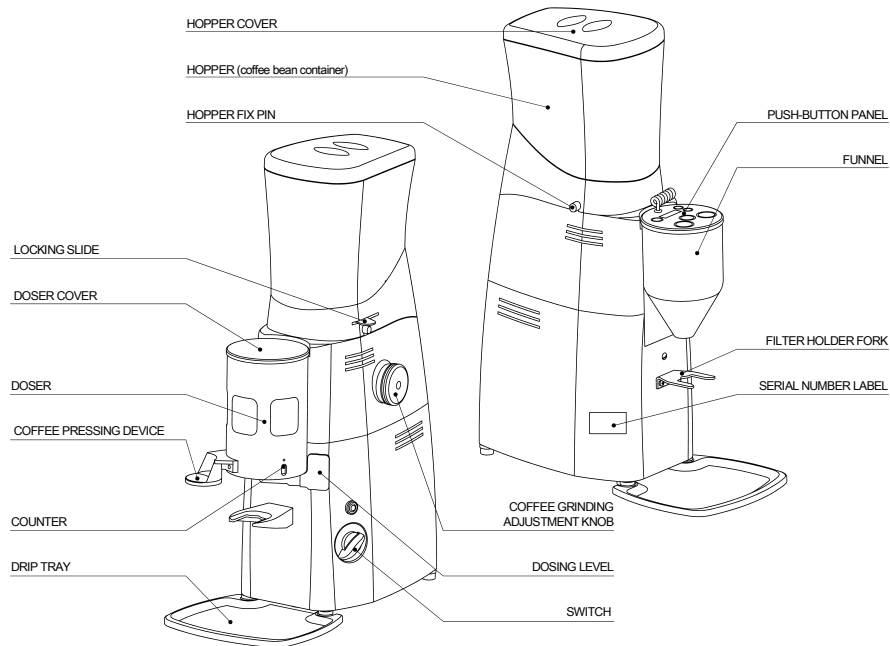
Look after this manual and keep it in a safe place.

The manufacturer reserves the right to make changes to the product and to the manual.

## 2) DIMENSIONS



### 3) GENERAL DESCRIPTION



### 4) PACKAGING

On opening the packaging, check carefully to make sure the appliance is intact and that there are no signs of damage. If in any doubt, do not use the unit and contact personnel with the appropriate professional skills.

The packaging materials must be kept out of the reach of children as they represent a potential source of danger.

Keep the packaging until the warranty has expired.

### 5) DISPOSAL

Do not litter: dispose of the packaging materials according to the laws in force.

Should you decide not to use the appliance any more, remember to unplug it so that it cannot be used, and then cut the cable in the point where it comes out of the appliance.

Contact specialized firms for information on the disposal of the components of the appliance.

#### INFORMATION FOR USERS RESIDING IN THE EUROPEAN UNION

Pursuant to art. 26 of Legislative Decree of March 14, 2014, no. 49: "Implementation of Directive 2012/19/EU on Waste Electrical and Electronic Equipment (WEEE)."



The crossed bin symbol shown here and on the equipment or its box indicates that, at the end of its useful life, the product (EEE) must be collected separately from other waste, with prohibition of disposal with mixed waste.

For more information, visit [www.mazzer.com](http://www.mazzer.com).

## 6) USE

This appliance has been designed SOLELY for grinding coffee beans. Any other use is understood to be improper, and consequently hazardous. The manufacturer cannot be held responsible for any damage as a result of improper or incorrect use.

Do not use the appliance for grinding other types of food, or anything else.

Do not use the doser (Grinder-Doser version) to store foods or measure them.

THE GRINDER-DOSERS, ELECTRONIC GRINDER-DOSERS AND COFFEE GRINDERS MANUFACTURED BY OUR COMPANY ARE INTENDED FOR SKILLED PERSONNEL ONLY FOR PROFESSIONAL USE AND **NOT FOR HOUSEHOLD USE**. The user must be an adult.

Do not allow children or incapable persons to use the appliance.

## 7) INSTALLATION AND WIRING

The appliance must be installed by skilled technical personnel in conformity with the safety rules in force. Incorrect installation may result in injury of persons or animals, or damage to property, for which the manufacturer cannot be held responsible.

- The appliance must be placed on a stable, flat surface (we recommend to install the appliance at an height between 80 and 100 cm from the floor).
- Before plugging in the appliance, make sure the voltage and frequency values of the supply mains correspond to the ratings indicated on the label featuring the appliance's technical data.
- The wall socket must be fitted with an efficient earth contact. Consequently, it is essential to make sure the earth system is efficient and in conformity with current safety rules. If in any doubt, have the system thoroughly checked by personnel with the appropriate professional skills.

IT IS COMPULSORY TO EARTH THE APPLIANCE.

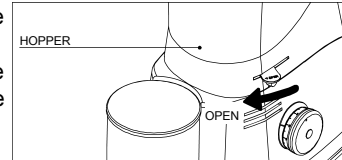
The manufacturer cannot be held responsible in the event this regulation is not complied with.

- It is essential to make sure the ratings of the system are suitable for the power absorbed by the appliance - as indicated on the label featuring the technical data - and that the wall socket is protected against overcurrents.
- Do not use extension cables, plug adapters for multiple sockets or makeshift connections.
- In EEC member countries, the regulation in force calls for the external equipotential terminal  $\nabla$  on the outer part of the appliance's base plate to be connected to a equipotential node if the installation is to be correct.
- The motor must rotate clockwise. If the rotation of three-phase motors is to be inverted, by inverting the two power supply wires inside the plug, this must be carried out by skilled personnel.
- The appliance is suitable for indoor use only. Do not use the appliance outdoor.
- Thoroughly clean the appliance at the first installation; follow the instructions in chapter 9 and 14.
- Do not install the appliance near to water dispenser or similar product that could throw water jet on the appliance.

## 8) OPERATION OF THE APPLIANCE

### PRELIMINARIES

Make sure the hopper is positioned correctly on the appliance and fixed to the body with the relevant pins. Close the locking slide and fill the hopper with coffee beans. Open the locking slide so that the beans are allowed to drop into the grinding system.



### SWITCHING THE APPLIANCE ON AND OFF

#### Automatic Grinder-Dosers

In order to power up the appliance, turn the on-off switch knob to I. In order to switch the appliance on manually, the switch knob must be turned all the way (to START).

The appliance starts automatically every 12 portions of coffee. It switches off automatically when the doser is filled with ground coffee.

In order to switch off the appliance manually, set the on-off switch knob to O.


#### Electronic Grinder-Dosers

In order to power up the appliance, set the on-off knob to I. The display located on the lid of the push button panel will show a counter with the incremental number of doses ground by the appliance.

After having placed the filter holder on the filter holder fork push:

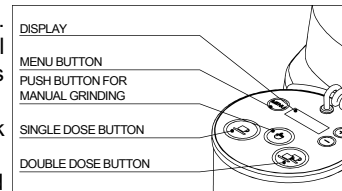
- the push button on the left (indicating one cup) to grind and dispense a single dose;
- the push button on the right (indicating two cups) to grind and dispense a double dose.

The counter adds one for each single dose (one cup sign) and adds two for each double dose (two cup sign).

One can manually activate the appliance keeping pushed the push button for manual grinding (indicating ) located in the centre of push-panel. Hold down the push button for manual grinding and the grinder will grind until you lift the finger. By using the push button for manual grinding no dose is added in the counter.

We suggest to use the push button for manual grinding to adjust the grinding of the appliance.

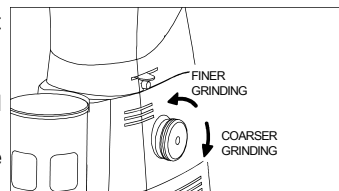
In order to switch off the appliance turn the knob of the switch to O.



## ADJUSTING GRINDING

To achieve finer or coarser grinding, turn the adjustment knob located on the side of the grinder-doser as follow:

- pull the knob out;
- turn it clockwise to increase the coarseness of the ground coffee, turn it anticlockwise to decrease the coarseness;
- once the desired grinding point is reached, release the knob to block it.



The adjustment must be performed with the motor on, and preferably without any coffee between the grinding blades. Grind small amounts of coffee in order to determine the optimal degree of fineness.

In the Electronic Grinder-Doser version, before checking the fineness of the ground coffee, grind some doses of coffee to fill the duct between the grinding area and the outlet. This operation must be done whenever the grinding setting has been changed in order to empty the duct of the previous ground coffee. The change of the grinding setting might vary the weight of the doses. Therefore adjust the doses only after the grinding setting.

In the Grinder-Doser and Electronic Grinder-Doser versions, if the coffee comes out of the espresso coffee machine very quickly, it means the coffee is ground too coarse. Vice versa, if it comes out too slowly, it means the coffee is ground too fine. Nonetheless, bear in mind that there are many conditions liable to influence the correct supply, such as the weight of the portions, the compacting, the espresso machine settings, and the cleaning of the filters.

## COFFEE DOSE ADJUSTMENT

### Grinder-Dosers

In order to adjust the size of the portion dispensed, the small knob located in the centre of the ground coffee storage container must be turned while holding still the star shaped dosing unit.

By turning the small knob clockwise, the portion is reduced. Turning it anticlockwise results in an increase.

In order to collect the portions of ground coffee dispensed, insert the coffee machine's filter holder all the way onto the fork-shaped support under the ground coffee outlet. In order to release a portion of ground coffee, the doser lever must be pulled all the way and allowed to return on its own. Pull twice in a row for a double portion.

In manual coffee Grinder-Dosers and those with time switches, in order to assure the portions are regular, check every now and again to make sure the amount of coffee ground to be found in the doser is sufficient to cover the feeding star unit.



For the coffee to fall on the filter holder, the support fork can be moved sideways using the two holes that allow the best placement. If necessary, use shims (included in the package) to back the position of the fork. After finding the best position, fix the fork with the appropriate screws.

### Electronic Grinder-Dosers

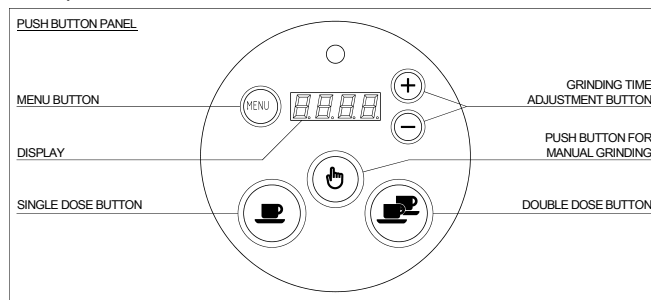
In order to adjust the size of the portion dispensed, use the push button controls located on the lid of the funnel. After having set the optimal degree of fineness, check the weight of the dose with a digital precision scale.

In order to adjust the dose press the push button "MENU" for 3 seconds; the display will blink. Select the dose you wish to adjust : either the single dose (indicating one cup) or the double dose (indicating two cups). The display will show the grinding time (in seconds) of the selected dose. By pressing the push buttons "+" and "-" the grinding time can be increased or decreased and consequently the selected dose can be increased or decreased.

Approximately, a change of 0.10 seconds is equivalent to a change of dose of 0.3 grams (0.01 ounces).

To set the desired amount of grinding time press the push button "MENU" for 3 seconds. A blinking of the display will confirm the data have been saved and the exit from the adjusting program.

Use a digital precision scale to check again the weight of the dose and, if necessary, repeat above mentioned operation.



WHEN YOU ARE INSIDE THE ADJUSTING PROGRAM IT IS NOT POSSIBLE TO OPERATE THE APPLIANCE.

IF THE APPLIANCE GETS SWITCHED OFF (SWITCH IN THE POSITION O) BEFORE EXITING FROM THE ADJUSTING PROGRAM THE CHANGES ARE NOT SAVED.

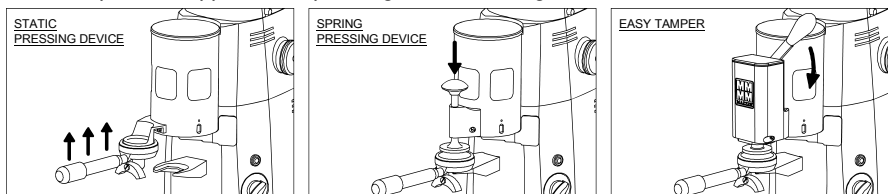
In order to collect the portions of ground coffee, insert the filter holder all the way onto the fork-shaped support under the ground coffee outlet.

### PRESSING (Grinder-Dosers)

**STATIC PRESSING DEVICE:** place the filter holder against the underside of the pressing device and push upwards.

**SPRING PRESSING DEVICE:** place the compacting disk against the upper face of the filter holder inserted in the fork-shaped support and press down on the spring pressing device knob.

**EASY TAMPER:** place the filter holder on the fork aligned with the pressing disc and pull down the lever up to the support of the pressing disc on the edge of the filter holder.



## 9) WARNINGS REGARDING OPERATION

---

- Do not leave the appliances turned ON without coffee in the hopper.
- In the Grinder-Doser version, avoid pulling the dosing lever partially, always pull it all the way.
- Do not insert, when filling the hopper with coffee beans, foreign objects. Handle with clean hands.
- After any hopper filling and in normal use of the appliance, the hopper lid must be positioned correctly.

### • FIRST INSTALLATION

For the correct use of the grinding blades, at the first installation or whenever the grinding blades have been replaced, grind some doses of coffee. Do not use those first doses.

In the Electronic Grinder-Doser version, for the appliance to function at its best, on its first installation and every time the hopper is cleaned, after having ground a few coffee doses, clean the inner surface of the funnel with a dry brush.

### • OPERATING RANGE OF THE MOTOR

IN THE VERSIONS WITH SINGLE-PHASE MOTORS, OBSERVE THE DUTY CYCLE STATED IN THE LABEL LOCATED ON THE SIDE OF THE APPLIANCE.

E. g. : a data on the label 35s ON / 45s OFF points out an allowed duty cycle of 35 seconds switched on and 45 seconds switched off.

APPLIANCES WITH THREE-PHASE MOTORS ARE ALLOWED FOR CONTINUOUS WORKING.

In order to achieve good grinding, it is nonetheless recommended to operate the appliance at intervals, allowing it to operate for no more than 10-15 minutes at a time.



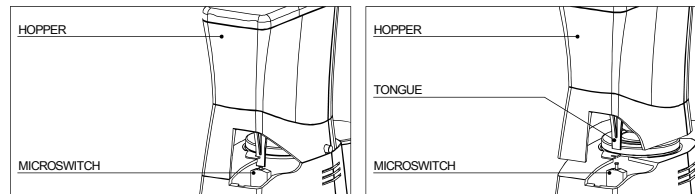
## 10) SAFETY DEVICES

### THERMAL OVERLOAD PROTECTION

The appliance's motor is protected against overheating resulting from overcurrents by a thermal overload protection which, when tripped, cuts off the power supply to the motor. Should the protection trip as a result of anomalous operation, such as the grinding blades jamming, the appliance must be turned off using the on-off switch, UNPLUGGED FROM THE MAINS, AND SKILLED TECHNICAL PERSONNEL CONTACTED. NEVER PERFORM ANY WORK ON THE APPLIANCE WHILE IT IS ATTACHED TO THE MAINS, TO AVOID THE RISK THAT MOTOR TURNS ON SUDDENLY. If the appliance overheats as a result of the motor stopping, allow the appliance to cool down before performing any repair work.

### MOTOR LOCKING MICROSWITCH

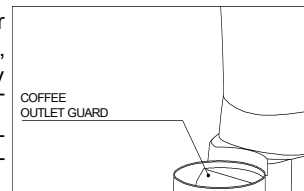
The system that protects against accidental contact with the rotating parts of the grinding system consists of a microswitch, situated under the body of the appliance, that cuts the electricity to the motor.



The push button that controls this device is operated by a tongue under the hopper. If the hopper is removed or not properly in place, the microswitch prevents the appliance from working. To ensure the hopper is positioned correctly it must be fixed to the casing using the relevant pins.

### COFFEE OUTLET GUARD

The coffee outlet guard must always be fixed to the doser (Grinder-Dosers), or to the funnel (Electronic Grinder-Dosers), using the relevant screws, which must never be removed by the user. THE REMOVAL OF THE COFFEE OUTLET GUARD CAN BE DONE BY SKILLED TECHNICAL PERSONNEL ONLY AFTER DISCONNECTING THE APPLIANCE FROM THE POWER SUPPLY BY UNPLUGGING.



Before reconnecting the appliance to the power supply, fix the safety device to the doser, or to the funnel, by relevant screws.

## 11) WARNINGS REGARDING SAFETY

This electrical appliance must be used in conformity with the rules in force governing safe operation.

- WHEN OPERATING THE APPLIANCE, BEWARE OF THE MOVING MECHANICAL PARTS' IN THE AREA OF THE GRINDING BLADES AND OF THE GROUND COFFEE OUTLET. BEFORE REMOVING THE HOPPER FROM THE GRINDING SYSTEM, DISCONNECT THE POWER SUPPLY. AVOID REMOVING FOREIGN BODIES FROM THE GRINDING SYSTEM OR HOPPER WITHOUT FIRST UNPLUGGING THE APPLIANCE FROM THE MAINS.
- Take care, as the grinding blades may continue rotating for a short while even after the appliance is switched off.
- THE USER IS NOT AUTHORIZED TO REMOVE SCREWS OR ANY PARTS SCREWED ONTO THE APPLIANCE.
- In the event the appliance is not working properly or is faulty, contact skilled technical personnel, and do not attempt to make repairs yourself.
- BEFORE PERFORMING ANY WORK ON THE APPLIANCE, INCLUDING CLEANING AND/OR MAINTENANCE, DISCONNECT IT FROM THE POWER SUPPLY BY UNPLUGGING. TURNING OFF THE APPLIANCE USING ITS MASTER SWITCH DOES NOT ASSURE THE SAME CONDITIONS OF SAFETY.
- Do not tamper with the appliance.
- When the appliance is left unattended, the appliance's power supply must be disconnected using its master switch (for example, at night, during work breaks, midweek closing or holidays).
- Do not let liquids of any kind come into contact with the internal or external parts of the appliance.
- Never put ground coffee in the hopper intended only for coffee beans.
- DO NOT TUG ON THE SUPPLY CABLE TO UNPLUG THE APPLIANCE FROM THE MAINS.
- Do not touch the appliance with damp or wet hands or feet.
- Do not use the appliance barefoot.

The manufacturer cannot be held responsible for bodily injury or damage to property if these regulations are not complied with.

## 12) NOISE LEVEL

### EEC Countries:

The maximal noise emission of our appliances (valued as acoustic power) is 81 dB(A).

The daily personal noise exposure of a worker, due ONLY to an appliance's limit operation of 240 minutes per eight hours, is 78 dB(A), according to European Directive 86/188/EEC and European Directive 2003/10/EC. Therefore during the appliance's normal operation, no provisions are to be taken in order to prevent such risks arising or likely to arise from noise exposure at work (articles 3-8 of European Directive 2003/10/EC).

### USA & Canada:

The noise level of our appliances is included within the limits stated in U. S. regulation 29 CFR 1910. 95 (*'Occupational Health and Environment Control - Occupational noise exposure'*) for eight hours continuously in a day (in reference to a noise exposure due solely to appliance operation).

Said noise level has been determined on identical news appliances.

### 13) MAINTENANCE

It is essential to check the state of the supply cable and plug periodically.

IN THE EVENT THE SUPPLY CABLE OR PLUG ARE DAMAGED, CALL IN SKILLED TECHNICAL PERSONNEL TO REPLACE THEM, THIS TO PREVENT ANY RISK.

IN CE-CERTIFIED APPLIANCES, A SPECIAL TOOL IS REQUIRED TO OPEN THE BASE PLATE TO GET AT THE CABLE.

It is recommended to use original spare parts only.

In order to assure the lasting efficiency of the appliance, skilled technical personnel must be called in to perform periodical maintenance, including detailed checks of the state of those components subject to wear.

The state of the grinding blades must be checked periodically. Keeping the grinding blades in an excellent state assures high-quality grinding, resulting in greater productivity and limited overheating.

### 14) CLEANING THE APPLIANCE

DISCONNECT THE APPLIANCE'S POWER SUPPLY BY UNPLUGGING IT BEFORE CLEANING. THE APPLIANCE MUST NOT BE CLEANED USING WATER JETS.

Do not install the appliance in rooms where water jets are used for cleaning.

THE APPLIANCE MUST BE CLEANED PERIODICALLY BY SKILLED TECHNICAL PERSONNEL ONLY.

Use perfectly clean, disinfected cloths or brushes for cleaning.

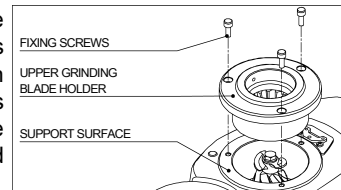
Do not use abrasive products as these are liable to take the sheen off shiny parts.

#### Hopper

Wash the hopper once it has been removed from the appliance, using neutral soap and water, rinse abundantly with lukewarm water and dry thoroughly. It is advisable to clean the hopper periodically. Once the hopper has been cleaned it must be put back on the appliance properly, fixing it with the relevant pins.

#### Grinding system

Unscrew the three screws that fix the upper grinding blade holder, after having removed it, clean the grinding blades and the entire grinding system thoroughly using a clean brush and dry cloth. To ensure a perfect grinding blade's line up, and a proper grinding, we recommend to clean the support surfaces of the upper grinding blade holder and the grinding tray.



After replacing the upper grinding blade holder on the tray, tighten the screws. Refit the hopper properly.


#### Doser (Grinder-Dosers)

Having discharged the ground coffee, clean the doser's star unit with a clean brush, expelling the material removed by pulling the doser lever.

Use a dry cloth to thoroughly clean the outlet of the ground coffee on the bottom of the doser.

When a more thorough cleaning is required, the operation must be performed only by skilled technical personnel, **after disconnecting the appliance from the power supply**, according to the following instructions:

1. Remove the coffee outlet guard unscrewing the relevant screws;
2. Unscrew the hexagonal-head screw that fix the coffee dose adjustment knob;
3. Unscrew (anticlockwise) the coffee dose adjustment knob holding the doser's stars unit (female dosing star and the upper dosing star) pushed down;

- 
- 
4. Remove the doser's stars unit;
  5. Remove the central spring;
  6. Clean thoroughly the bottom of the doser, especially the sharp edges on sight and the outlet of the ground coffee.

In order to reassemble the doser, follow the previous instructions in inverted order; pay attention that the feather of the coffee-outlet covering section plate is correctly set in the proper side on the side of the basin.

**Funnel (Electronic Grinder-Dosers)**

After having removed the lid, clean the funnel and its lid with a dry and disinfected brush.



**Mazzer Luigi srl**

All right reserved. It is prohibited to reproduce, adapt or translate this document without prior written authorization.

First Edition: 2013

Last revised: KL02 07/2014