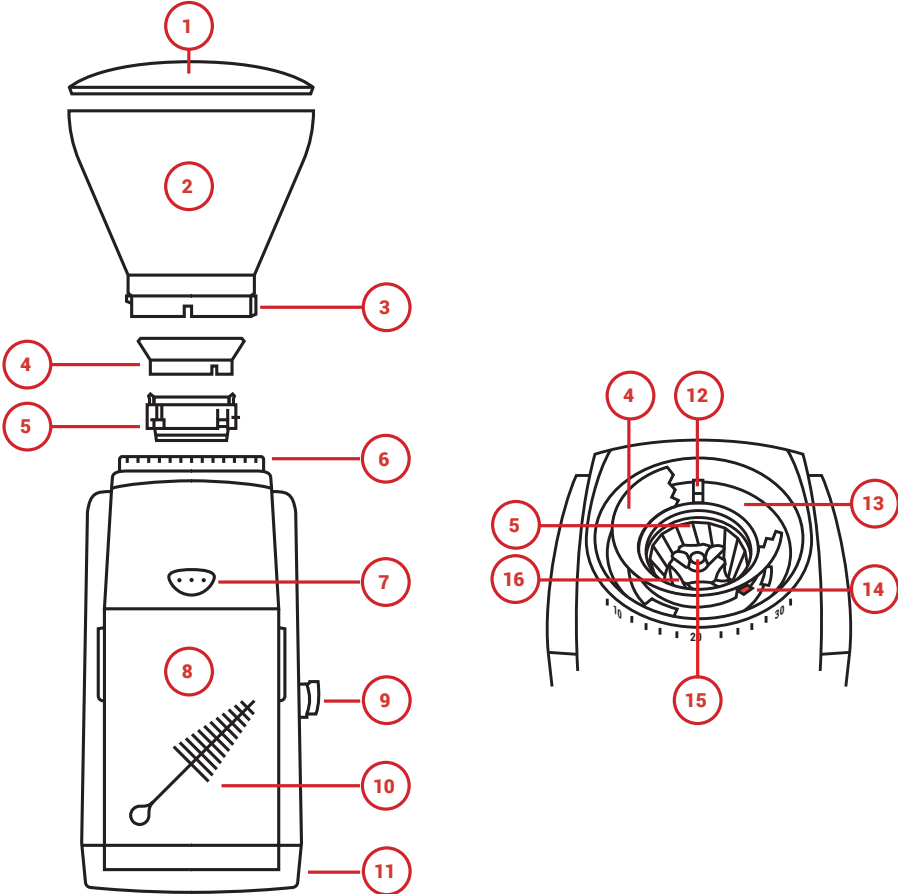


ENCORE & VIRTUOSO



WWW.BARATZA.COM

Rev 05/17/2018 (v3.1b)

ENCORE & VIRTUOSO QUICK START GUIDE

Parts Identification

1. Hopper Lid
2. Bean Hopper
3. Grind Setting Indicator
4. Black Silicone Gasket
(cut away in 2nd illustration)
5. Removable Ring Burr
6. Grind Adjustment Scale
7. Pulse Button
8. Ground Coffee Bin
9. On/Off Knob *
10. Brush *
11. Weighted Base
12. Grind Adjustment Tab
13. Grind Adjustment Ring
14. Burr Alignment & Lifting Tabs
15. Wingnut (do not remove)
16. Center Cone Burr

** included in ground coffee bin*

INITIAL SETUP

1. Hand-wash the hopper lid (1), hopper (2), black silicone gasket (4), and ground coffee bin (8) in warm, soapy water, and dry thoroughly. **Do not wash the removable ring burr (5) in water or it will rust.**
2. Line up the knob (9) (stored in the ground coffee bin (8)) with the stem of the switch on the right side of the unit and press the knob fully in place. You can wiggle the knob if you're having trouble getting it fully seated.
3. The ring burr (5) has a red tab and it should be pointing to grind setting 30
4. **Be careful not to tear the gasket.** Place the gasket (4) on top of the ring burr (5), align the gasket notches with the ring burr tabs (one of which is red) and gently work the gasket down until it is seated on the top 1/8" (4mm) of the ring burr (5).
5. To install the hopper, ensure the silver grind setting indicator (3) is positioned to the right, and aligned with the silver triangle marker on the case. Press the hopper down and twist clockwise to setting 20. You should hear the hopper click as it rotates.

If Step 5 is not working well: The black grind adjustment ring (13) must be rotated fully counterclockwise for the hopper to install. You can rotate the grind adjustment ring (13) by hand if needed and then continue from step 3.

During normal operation, the coffee tends to mound up in the bin when being discharged from the grinder. To prevent unnecessary clogging, empty the ground coffee bin when it is 2/3 of the way full.

CHOOSING A GRIND SETTING

Rotate the hopper to adjust the grinder to your desired grind setting. Below are some general starting points. You will need to dial in the grind to your preference from here. Additional information can be found at baratza.com/grinding-tips

Finer Grind = lower numbers
Coarser Grind = higher numbers

For precise adjustments, always adjust grind size while grinding coffee. Keeping some coffee in the hopper, while in operation, will greatly improve the consistency and repeatability of your results.

Encore & Virtuoso	Espresso	AeroPress	Hario V60	Automatic Brewer	Chemex	French Press
Suggested Setting	8	12	15	18	20	28

IF YOU NEED FURTHER SUPPORT:

In US & Canada contact
support@baratza.com
or 425-641-1245

Outside North America, the warranty is provided by the company you purchased from.

If you think your grinder is not performing correctly, go to our troubleshooting guides at baratza.com/troubleshooting

The full operations manual is available at baratza.com/documentation

For service, find the nearest importer at baratza.com/international-importers-and-retailers

SAFETY INFORMATION:

- ! Please read the information below very carefully. It contains important safety information for this appliance. Please keep these instructions for future reference.
- ! Use only with AC current and the correct voltage. See the label on the base of the grinder to determine the correct voltage.
- ! Only clean the grinder housing with a dry or slightly damp cloth. Do not immerse the grinder, plug or cord in water or any other liquid.
- ! Baratza will not accept any liability for damage, injury, or warranty if the grinder is used other than for its intended purpose (i.e. grinding roasted whole coffee beans) or is improperly operated or repaired.
- ! Keep the appliance and its cord out of reach of children aged less than 8 years
- ! Do not operate the grinder with a damaged cord or plug. If the supply cord is damaged, it must be replaced by the manufacturer, its service agent or similarly qualified persons in order to avoid a hazard
- ! Do not leave your grinder unattended while turned ON.
- ! This appliance can be used by children aged from 8 years and above and persons with reduced physical, sensory or mental capabilities or lack of experience and knowledge if they have been given supervision or instruction concerning use of the appliance in a safe way and understand the hazards involved.
- ! Cleaning and user maintenance shall not be made by children without supervision.
- ! Always unplug the grinder from the electrical supply before assembling, disassembling or cleaning.
- ! To unplug, grasp plug and remove from the outlet. Never pull on the cord.
- ! **CAUTION:** ALWAYS unplug the electrical supply cord prior to cleaning the grinder.