



# Digital Interlocking Coffee Grinder



## READ AND SAVE THESE INSTRUCTIONS

**NOTICE TO INSTALLER:** Please leave this booklet with the machine.

Key Features/Specifications/System Requirements..... FS50

Important Safeguards..... IS3

Installation Instructions.....II24

Operating Instructions .....OI37

Cleaning Instructions..... CI22

Programming Guide ..... PG15

Rough-In Drawing..... RD56

Illustrated Parts/Recommended Parts (Main Chassis)..... IP94

Illustrated Parts/Recommended Parts (Motor) ..... IP96

Electrical Schematics .....ES93

Troubleshooting Guide (General).....TG27

Troubleshooting Guide (Grinder Adjustment).....TG29

Product Warranty.....PW1

**Contact Information**

**Wilbur Curtis Co., Inc.**

6913 Acco Street | Montebello, CA 90640 US  
 Phone: 323-837-2300 | Toll Free: 800-421-6150  
 Email: [csrcassistance@wilburcurtis.com](mailto:csrcassistance@wilburcurtis.com) | Web: [www.wilburcurtis.com](http://www.wilburcurtis.com)

For the latest specifications and information go to [www.wilburcurtis.com](http://www.wilburcurtis.com)  
 Toll Free: 800-995-0417 | Monday - Friday 5:30 A.M. - 4:00 P.M. PT  
 Email: [techsupport@wilburcurtis.com](mailto:techsupport@wilburcurtis.com)

Due to continued product improvement, the products illustrated/photographed in this guide may vary slightly from the actual product.

## Key Features

- Easy to Use - Fully automatic operation.
- Large Grinding Burrs - Provide faster; more efficient operation.
- Highly Accurate and Consistent Throw - For even distribution, dust reduction.
- Constant, uniform grind.
- Powerful 1/2 hp Motor - Equipped with safety circuit breaker.

## Specifications (Selected Models)

### Electrical Supply Requirements

MODEL #	DESCRIPTION	PHASE	VOLTS	AMPS	WIRE	WATTS	HERTZ
ILGD-10	Coffee Grinder Single	1 PH	120 V	8.0 A	2W + G	960 W	50/60 Hz
<b>EXPORT</b>							
ILGD-31	Coffee Grinder Single, Export	1 PH	230 V	4.4 A	2W + G	1000 W	50/60 Hz

### Dimensions

MODEL #	HEIGHT	WIDTH	DEPTH	SHIP WEIGHT	SHIP CUBE
ILGD-10	29.50"	10.00"	14.50"	62.00 lbs	5.90 cu ft
<b>EXPORT</b>					
ILGD-31	29.50"	10.00"	14.50"	62.00 lbs	5.90 cu ft

**Symbols**



This is the safety alert symbol. It is used to alert you to potential physical injury hazards. Obey all safety messages that follow this symbol to avoid possible injury or death.



**DANGER** - Indicates a hazardous situation which, if not avoided, will result in death or serious injury.



**WARNING** - Indicates a hazardous situation which, if not avoided, could result in death or serious injury.



**CAUTION** - Indicates a hazardous situation which, if not avoided, could result in minor or moderate injury.



**NOTICE** - Indicates a situation which, if not avoided, could result in property damage.



**IMPORTANT** - Provides information and tips for proper operation.



**SANITATION REQUIREMENTS**



**WARNING** - This product can expose you to chemicals including Acrylamide and Bisphenol A (BPA), which are known to the State of California to cause cancer and birth defects or other reproductive harm. For more information visit [www.P65Warnings.ca.gov](http://www.P65Warnings.ca.gov).

**Important Safeguards/Conventions**



**WARNING:**

- Make sure that this appliance is installed and grounded according to the INSTALLATION INSTRUCTIONS by qualified personnel before attempting to use it. Failure to follow the INSTALLATION INSTRUCTIONS could result in personal injury or void the warranty.
- This appliance is designed for commercial use. Any service other than cleaning and preventive maintenance should be performed by an authorized Wilbur Curtis service technician.
- To reduce the risk of fire or electric shock, DO NOT open the service panels. There are no user serviceable parts inside.
- Clean the appliance completely before using it for the first time, according to the CLEANING INSTRUCTIONS. Clean it regularly as instructed in the CLEANING INSTRUCTIONS.
- Use this appliance only for its intended use, grinding coffee.
- This appliance is not intended for use by persons (including children) with reduced physical, sensory or mental capabilities or lack of experience and knowledge, unless they have been given supervision or instruction concerning use of the appliance by a person responsible for their safety. Children should be supervised to ensure that they do not play with the appliance.
- Avoid spillage onto the power (mains) connector.

## CE Requirements

- This appliance must be installed in locations where it can be overseen by trained personnel.
- For proper operation, this appliance must be installed where the temperature is between 5°C to 35°C.
- Appliance shall not be tilted more than 10° for safe operation.
- An electrician must provide electrical service as specified in conformance with all local and national codes. For safe use, an all-pole disconnection must be incorporated into the fixed wiring in accordance with the wiring rules outlined in clause 7.12.2 of IEC 6.335-1 for meeting the minimum electrical safety of this standard.
- This appliance must not be cleaned by water jet.
- This appliance can be used by persons aged from 18 years and above if they have been given supervision or instruction concerning use of the appliance in a safe way and if they understand the hazards involved.
- Keep the appliance and its cord out of reach of children aged less than 18 years.
- Appliances can be used by persons 18 years and above with reduced physical, sensory or mental capabilities or lack of experience and knowledge if they have been given supervision or instruction concerning use of the appliance in a safe way and understand the hazards involved.
- Children under the age of 18 years should be supervised to ensure they do not play with the appliance.
- If the power cord is ever damaged, it must be replaced by the manufacturer or authorized service personnel with a special cord available from the manufacturer or its authorized service personnel in order to avoid a hazard.
- Machine must not be immersed for cleaning.
- Cleaning and user maintenance shall not be made by children unless they are older than 18 years and supervised.
- This appliance is intended to be used in household and similar applications such as:
  - staff kitchen areas in shops, offices and other working environments;
  - by clients in hotels, motels and other residential type environments;
  - bed and breakfast type environments.
- This appliance not intended to be used in applications such as:
  - farm houses
- Access to the service areas permitted by Authorized Service personnel only.
- The A-Weighted sound pressure level is below 70 dBA.



**WARNING:** Installation is to be performed only by a qualified installer.



**WARNING:** Improper electrical connection may result in an electric shock hazard. This grinder must be properly grounded.



**IMPORTANT:** Observe all governing codes and ordinances.

## Installation Instructions

### Installation Requirements

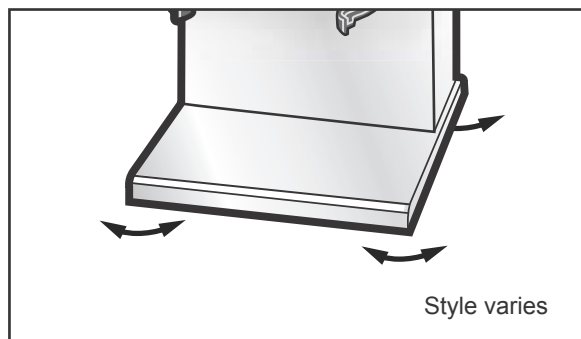
- A secure surface capable of supporting the weight of the appliance.
- For units without an attached cord set: Appropriately sized, UL listed, grounding type power cable to meet the electrical specifications for the appliance. If you have questions about the correct cable size and length, consult a qualified installer. If the appliance will be hard wired to a junction box, the power cable must be long enough so that the unit can be moved for cleaning underneath.
- A grounded electrical connection to an electrical circuit that meets the electrical specifications of the appliance (see **SPECIFICATIONS**). The circuit must be protected by the appropriate sized circuit breaker. If you are not certain that the existing circuit meets the requirements for your unit, consult a licensed electrician.

### Leveling



**WARNING:** Use the leveling legs to level the grinder only. Do not use them to adjust grinder height. Do not extend them higher than necessary.

- 1 Position the unit on a level counter top. Level it left to right and front to back by turning the bottom of the legs.

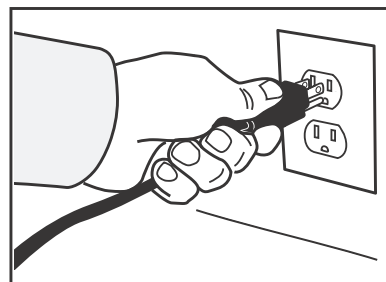


### Connect the Power Cable



**WARNING:** Connect the power cord to the appropriate type and size electrical outlet. If the electrical outlet is not compatible with the power cord, have it upgraded by a licensed electrician. Do not modify the power plug. Do not use an extension cord. Do not use a power cord/plug that is damaged.

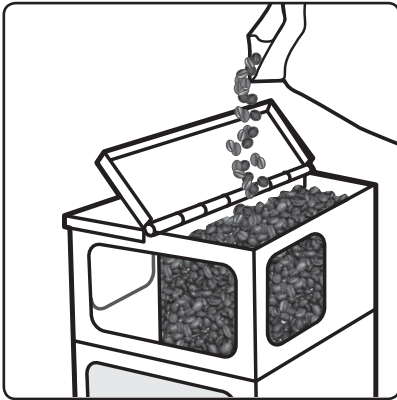
- 2 Connect the power cord to the appropriate type of electrical outlet.
- 3 Make sure that the circuit breaker supplying power to the electrical outlet is on.



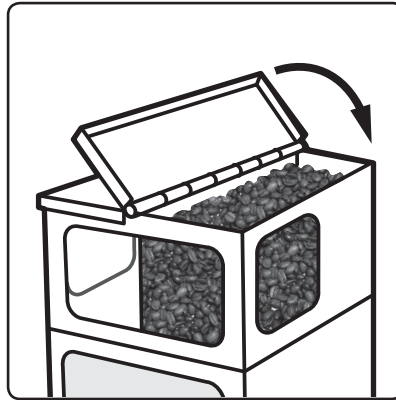


**WARNING - TO AVOID SCALDING, AVOID SPLASHING.** Keep body parts clear of the brewer during brewing. Do not remove the brew basket while the BREW light is on. Keep body parts away from hot surfaces.

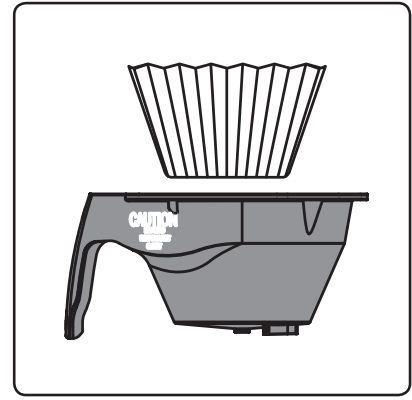
The grinder is factory preset for optimal performance.



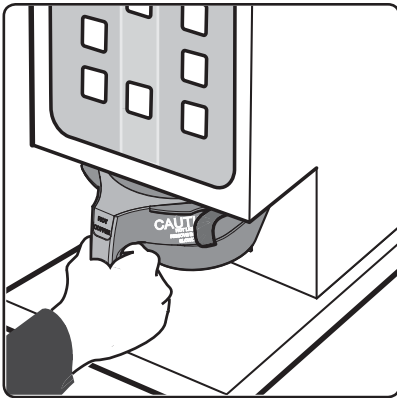
- 1 Open one of the hopper lids and fill with fresh, whole coffee beans.



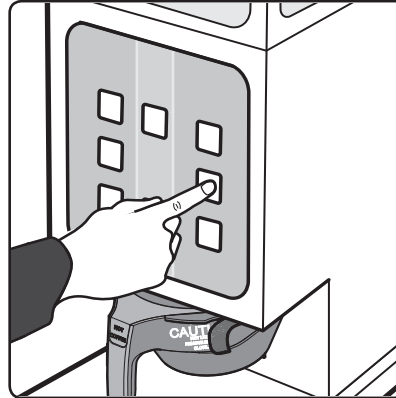
- 2 Close the lid.



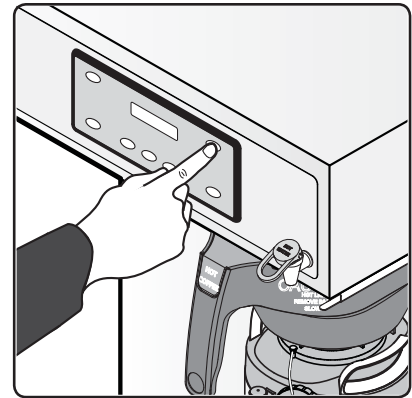
- 3 Place a clean paper filter into the brew basket.



- 4 Slide the brew basket all the way back into the brew basket rails.



- 5 Make sure the grinder is on. On the grinder control panel, press the desired grind size/ brew volume button; SMALL, MEDIUM or LARGE. The grinder will start to grind coffee into the brew basket. Wait for the grinder motor to stop before removing the brew basket.



- 6 Some grinders are connected to a brewer and lock the brew selection into the brewer. This is indicated by a flashing LED next to the corresponding BREW button on the brewer. Transfer the filled brew basket to the brewer and press the desired BREW button. The brew cycle is complete when the BREW light stops flashing.



**WARNING:** Disconnect the power cord before cleaning.



**WARNING:** DO NOT immerse the grinder in water or any other liquid. Avoid spilling liquid into the grind housing during cleaning.



**NOTICE** - Do not use cleaning liquids, compounds or powders containing chlorine (bleach) or corrosives. These products promote corrosion and will damage the finishes. **USE OF THESE PRODUCTS WILL VOID THE WARRANTY.**

---

### Cleaning the Grinder - As Needed

- 1 Disconnect the power cord.
- 2 Brush coffee grounds from the dispensing spout. Wipe off the surrounding area.
- 3 Prepare a mild cleaning solution of dish washing liquid in warm water. Wipe exterior surfaces with a cloth moistened with the cleaning solution.
- 4 Dry the exterior surfaces with a clean soft cloth. Polish exterior stainless steel surfaces with stainless steel polish.
- 5 Reconnect the power cord.

A tablet style grinder cleaner may be used to clean the inside of the grind housing, the burrs and the chute. It will also eliminate taste and odor left in the grinder from grinding flavored coffee.

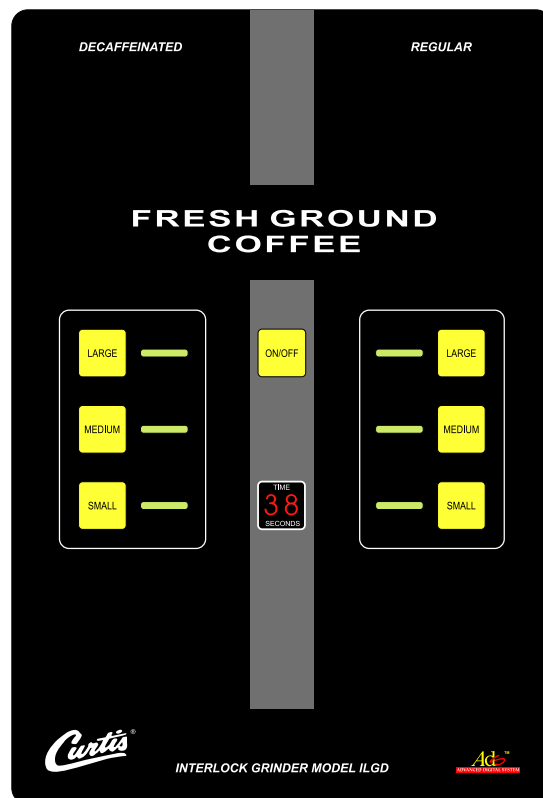
- 1 With the power cord disconnected, remove the coffee beans from the hopper.
- 2 Plug the power cord into the electrical outlet.
- 3 Place a container under the grind spout and run the grinder to empty the housing of all coffee.
- 4 Pour grinder cleaner granules or tablets into the hopper, according to the manufacturer's recommendations.
- 5 Press the grind button. Run the grinder until the cleaner empties completely from the spout.
- 6 Re-fill the grinder with whole bean coffee and run two grind cycles to purge the grind housing of residual cleaner.



### Programming Options

The grinder has been adjusted at the factory to provide satisfactory performance in most situations. In the event that you would like to vary the grinder settings, it can be reprogrammed. Both sides of the grinder are programmed identically.

- 1 Place a paper filter beneath the grinder spout to catch coffee as it is ground.
- 2 Turn off the unit at the front panel ON/OFF button.
- 3 Press and hold one of the grind buttons (LARGE, MEDIUM or SMALL).
- 4 Press and release the ON/OFF button while continuing to hold the grind button.
- 5 In the red window, the programmed grind time for the button pressed will appear, in seconds. Continue to hold the grind button and the time digits will start at 00 and increase. Release the button to set the new time. The **TIMER SETTINGS** table below can be used as a guide to estimate the amount of ground coffee you dispense with the chosen setting.
- 6 Wait for the motor to completely stop (10 seconds).
- 7 To set and exit, press and release any other grind button.
- 8 Repeat the above steps to reprogram one of the other grind buttons (LARGE, MEDIUM or SMALL).



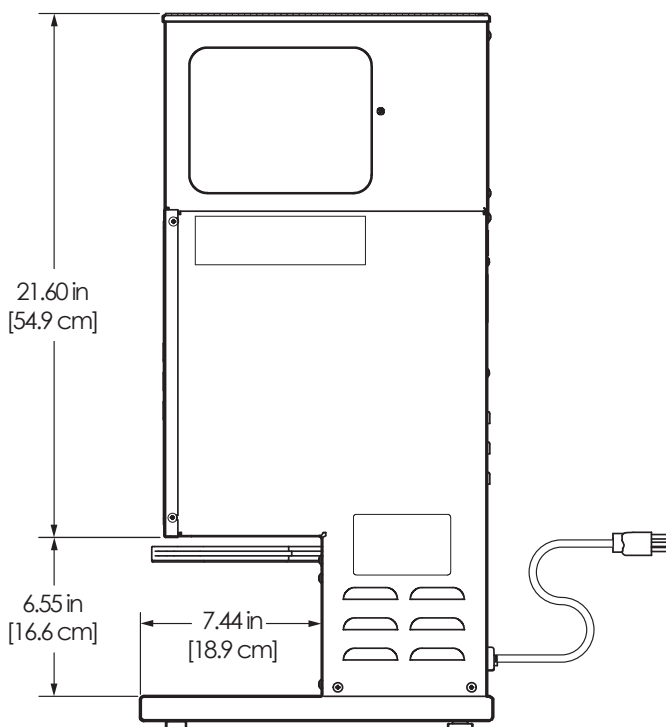
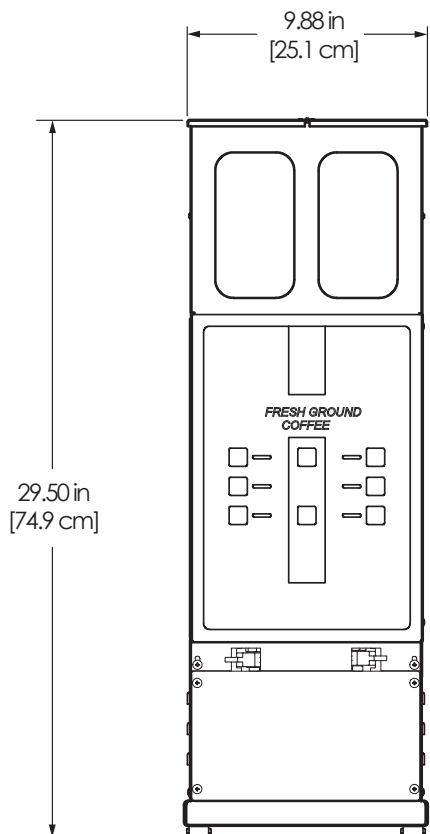
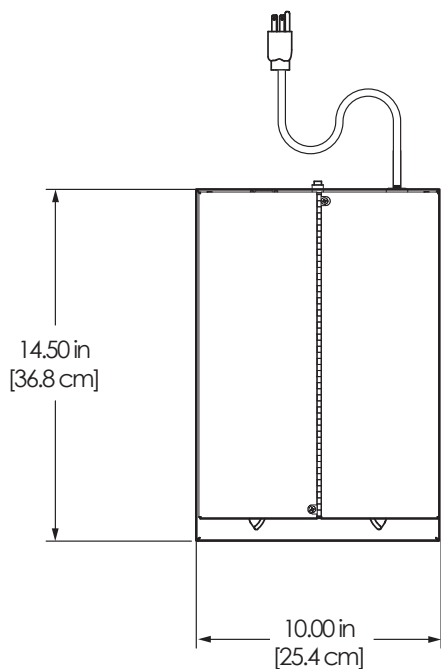
Seconds	Ounces (Estimated)	Seconds	Ounces (Estimated)
4	1.3	15	4.5
5	1.5	20	6.2
6	1.8	25	7.6
7	2.0	30	8.8
8	2.5	35	10.0
10	3.0	40	11.8
12	3.7	45	13.5

**TIMER SETTINGS**

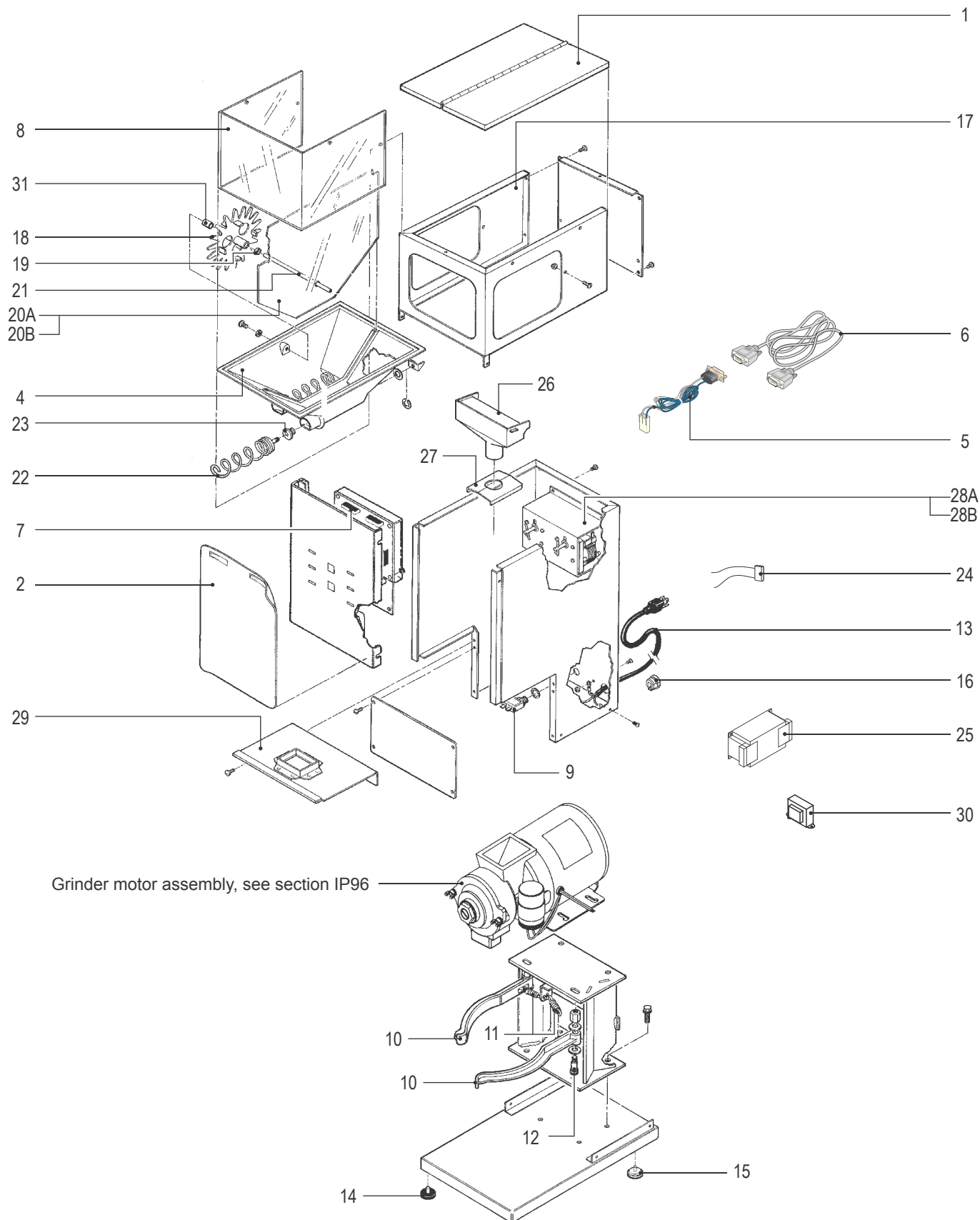


**IMPORTANT:** Use the above time settings as a general guide. Actual amounts will vary with the grinding burr setting (see *Grinder Adjustment Procedure* in the *TROUBLESHOOTING GUIDE*) and the specific coffee variety used. After changing the timer, weigh the output, then make adjustments if necessary.

ILGD



ILGD - Main Chassis - Exploded View



## ILGD - Main Chassis - Parts List

ITEM #	PART #	DESCRIPTION
1	WC-9118	COVER, ASSY DUAL HOPPER GRINDR DHG/ILGD
2	WC-39212	MEMBRANE CONTRL PANEL CURTIS ILGD
3A	WC-13320 <sup>1</sup>	HARNESS ASSY, ILGD 120V (NOT SHOWN)
3B	WC-13345 <sup>2</sup>	HARNESS ASSY, ILGD 220V (NOT SHOWN)
4	WC-9116	HOPPER ASSY, DUAL GRINDERS
5	WC-37339	KIT, INTERLOCK CABLE & CONNECT OR GEMSS/ GEMTS/TP2S/TP2T
6	WC-1467	CABLE ASSY, INTERLOCK ILGD DHGD
7	WC-689	CONTROL BOARD 120V 50/60HZ ILGD/DHGILD/ TL-ILGD
8	WC-9131	WINDOW, ACRYLIC DUAL GRINDER
9	WC-1504	BREAKER, CIRCUIT 10A 120/250 VAC
10	WC-9141	BASKET HOLDER
11	WC-9155	SPRING FOR BASKET HOLDER
12	WC-4813	SCREW, 5/16x5/8 LONG SHOULDER
13	WC-1200	CORD, 14/3 SJTO 6' BLK W/PLUG
14	WC-3503	LEG, 3/8"-16 STUD SCREW BUMPER
15	WC-3518	LEG, GLIDE 3/8"-16 STUD SCREW
16	WC-1408	CORD GRIP, 7/8" O.D.
17	WC-91013	WRAP, W/A DUAL HOPPER ILGD

<sup>1</sup>DOMESTIC UNITS, <sup>2</sup>EXPORT UNITS

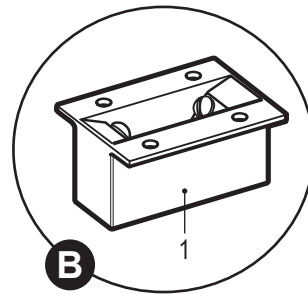
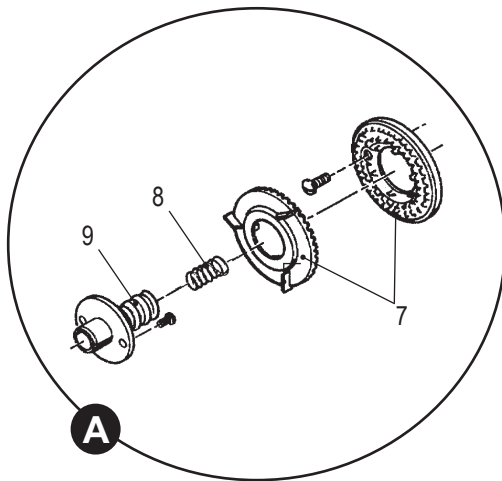
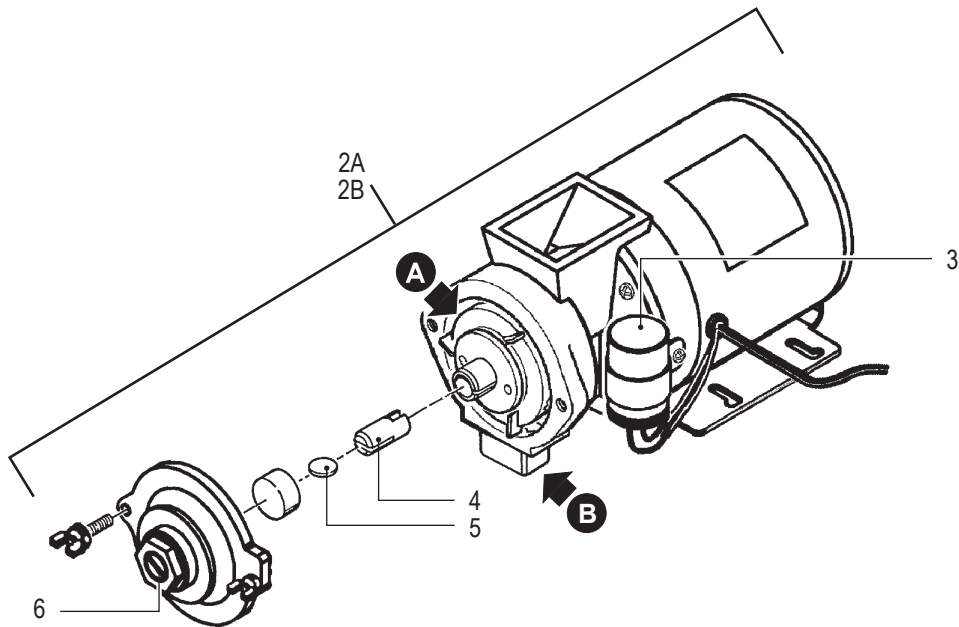
## Recommended Parts to Stock

ITEM #	PART #	DESCRIPTION
7	WC-689	CONTROL BOARD 120V 50/60HZ ILGD/DHGILD/ TL-ILGD

ITEM #	PART #	DESCRIPTION
18	WC-9160	WHEEL, GRINDER AGITATION CCG (OPTIONAL)
19	WC-9144	SPACER, 9/32 AGITATION WHEEL (OPTIONAL)
20A	WC-9132	DIVIDER, DUAL HOPPER SS DHG/ILGD/ILG/ILGM
20B	WC-9188	DIVIDER, W/HOLE ILG-11/DHG-11 (OPTIONAL)
21	WC-9142	SHAFT, AGITATION WHEEL (OPTIONAL)
22	WC-9158	AUGER, ASSY DHG,ILG,ILGD
23	WC-9183	BEARING, AUGER BRASS DHG,ILG, ILGD
24	WC-8609 <sup>2</sup>	CAPACITOR, 2.2 UF 250/275 VAC 50/60 ALL ARU'S
25	WC-596K <sup>2</sup>	KIT, NOISE FILTER EMI 250V/30A 1PH
26	WC-9130	FUNNEL, ILGD/TL-ILGD,DHGILD, DHG,ILG
27	WC-9134	SHIELD, HOUSING ILGD/ILG/DHG GBW
28A	WC-9151 <sup>1</sup>	MOTOR, GEAR 115V DUAL GRINDER
28B	WC-9163 <sup>2</sup>	MOTOR, GEAR 50/60HZ 230V 38W
29	WC-9126	GUIDE, SPOUT W/A SHG DHG ILGD
30	WC-701 <sup>2</sup>	TRANSFORMER, 60VA PRIMARY 208/240/480V SEC 120V
31	WC-9143	SPACER, 5/8" AGITATION WHEEL (OPTIONAL)

ITEM #	PART #	DESCRIPTION
28A	WC-9151	MOTOR, GEAR 115V DUAL GRINDER

Grinder Motor Assembly



Grinder Motor Assembly - Parts List

ITEM #	PART #	DESCRIPTION
1	WC-37283	KIT, GRINDER CHUTE DHG/ILGD/SH
2A	WC-9135 <sup>1</sup>	MOTOR, SLICING GRINDER ASSY 120V SLG/DHG/ILGD/ILGS/SHG
2B	WC-91062 <sup>2</sup>	MOTOR, SLICING GRNDR ASSY 220V
3	WC-91026	CAPACITOR, COFFEE GRINDER ASSY SLG/DHG/ILGD
4	WC-91024	SHEAR, DRIVE COFFEE GRINDER NI+SN PLATING SLG/DHG/ILGD

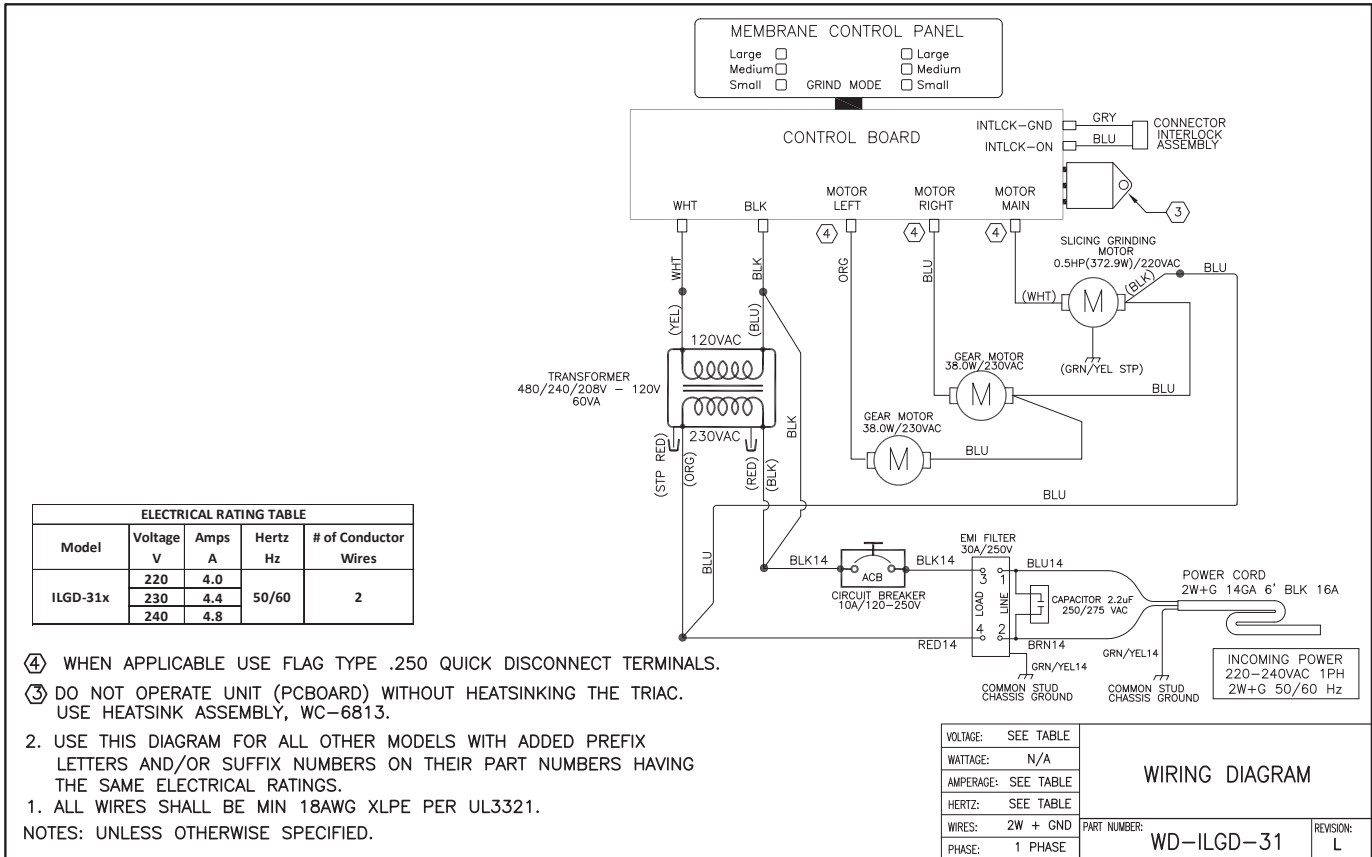
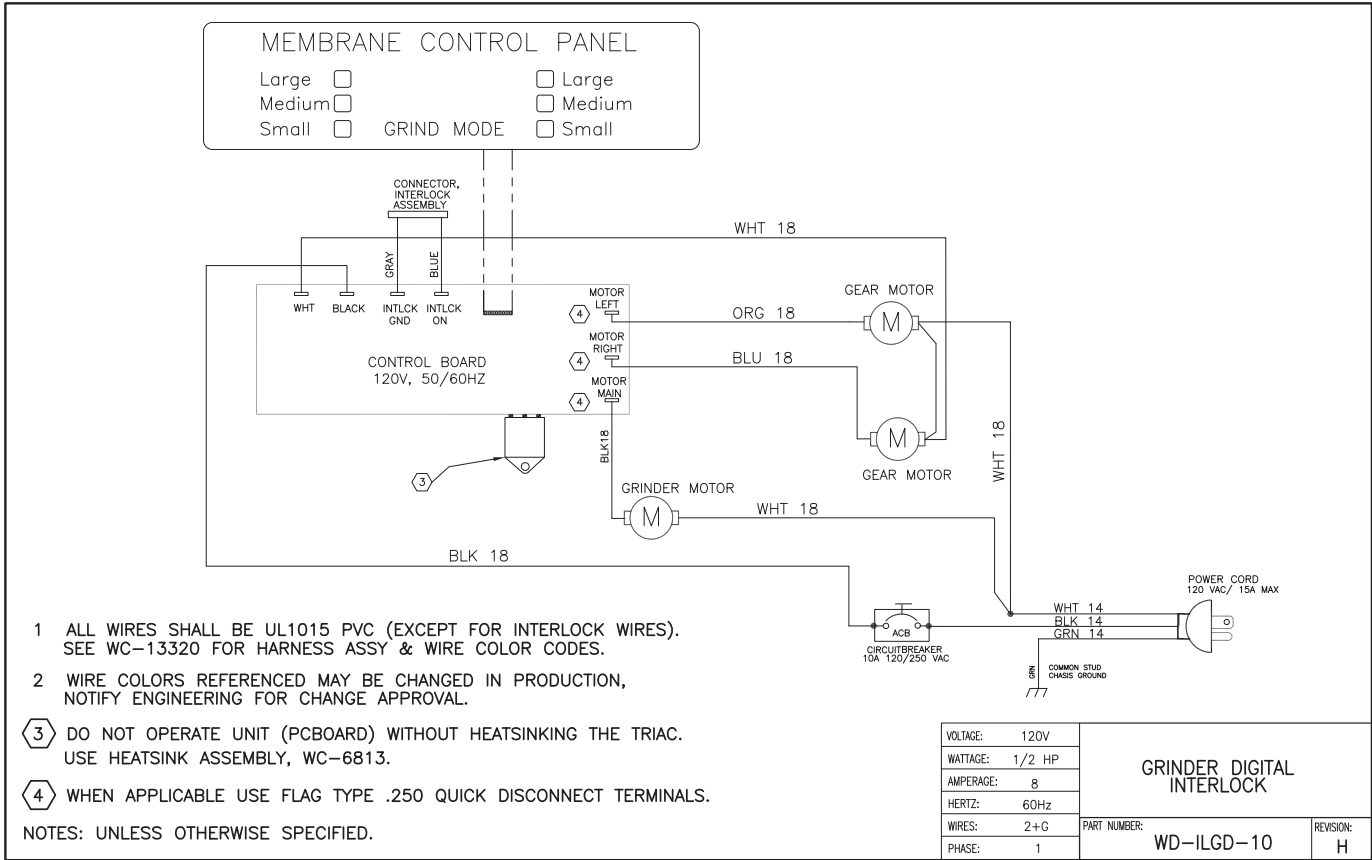
ITEM #	PART #	DESCRIPTION
5	WC-9107-6	DISC, SHEAR COFFEE GRINDER 6PK
6	WC-91015	SCREW AND THRUST PIN, ADJUSTING ASSY SLG/DHG/ILGD
7	WC-91050	BURR, COMPLETE SET SLICING
8	WC-91021	SPRING, TENSION COFFEE GRINDER SLG/DHG/ILGD
9	WC-91051	FEEDWORM, SLICING GSG

<sup>1</sup>DOMESTIC UNITS, <sup>2</sup>EXPORT UNITS

Recommended Parts to Stock

ITEM #	PART #	DESCRIPTION
1	WC-37283	KIT, GRINDER CHUTE DHG/ILGD/SH

ITEM #	PART #	DESCRIPTION
5	WC-9107-6	DISC, SHEAR COFFEE GRINDER 6PK





**WARNING: Electric Shock Hazard** - the procedures in this *TROUBLESHOOTING GUIDE* are to be performed only by a qualified service technician. Disconnect power when replacing components. Neither Wilbur Curtis Co., Inc. nor the seller can be held responsible for the interpretation of this information, or any liability in connection with its use.

### Troubleshooting Guidelines

- This troubleshooting guide identifies some, but not all, of the possible causes for common problems that can occur.
- Use this troubleshooting guide along with the appropriate *ELECTRICAL SCHEMATIC*.

### Grinder Does Not Grind Coffee - None of the Motors Run\*

\*Including the auger gear motors.

- 1 Check to make sure that the power cord is connected and that the circuit breaker connected to the electrical outlet is not off or tripped. Check to make sure the ON/OFF button on the front of the unit is activated.
- 2 Check the circuit breaker on the back of the unit. Push in on the button to reset. If the button pops back out, check for electrical shorts inside the unit, for example, a shorted motor.
- 3 Check to see if any of the buttons are working. If some of the buttons work, but one or more do not, go to *Only Some of the Buttons Work*.
- 4 Check for power into the control board. If it is not getting power, trace backward from the control board to the power cord using the *ELECTRIC SCHEMATIC* to find the wire or component that is preventing the control board from getting power.
- 5 If the control board is getting power, press one of the grind buttons. If none of the motors are getting power, use a multi-meter to test the ON/OFF button on the membrane panel to make sure it is working. If the ON/OFF button is working, but none of the grind buttons cause the unit to function, the control board is probably bad.

### Grinder Grinds Coffee on Only One Side. Other Side Grinds OK

- 1 Disconnect power and check to make sure the funnel feeding beans into the grinder on the side that is not working is not clogged/jammed.
- 2 Check to see if the gear motor is getting power. If yes, the gear motor is bad.
- 3 Check the gear motor wiring, then check to make sure that the control board is supplying power to the gear motor. If not the control board is bad.

### Coffee Does Not Grind on Either Side, Grinder Motor Runs

- 1 Disconnect power and check to make sure the funnels feeding beans into the grinder on both sides are not clogged/jammed.
- 2 Check for a broken shear disk on the grinder motor assembly. See *Replacing a Broken Shear Disk*.

### Grinder Does Not Grind on Either Side, Grinder Motor DOES NOT Run, But Gear Motors are Turning

- 1 Check for power at the input terminals of the grinder motor. If there is power at the input terminals of the motor, but it does not run, either the motor capacitor or the motor itself is defective.
- 2 Check the wiring to the grinder motor.
- 3 Check to see if the control board is supplying power to the motor when the grind button is pressed. If not, the control board is probably bad.

**Only Some Buttons Work**

- 1 Disconnect the membrane switch panel from the control board. Use a multi-meter to check the button that has no effect when pressed.
- 2 If the button functions normally, but the unit does not function when it is pressed, the control board may be bad.

**Coffee Too Course or Too Fine**

- 1 Disconnect power and check to make sure the grinder motor housing cover is on straight and properly seated.
- 2 Try adjusting the grinding burrs. See *Grinder Adjustment Procedure*. If adjusting the grinding burrs does not work, the grinding burrs may be worn and require replacement.

**Grinder Shuts Off Before Brew Basket is Filled**

To adjust the volume of coffee ground, adjust the timer. See *PROGRAMMING GUIDE*.



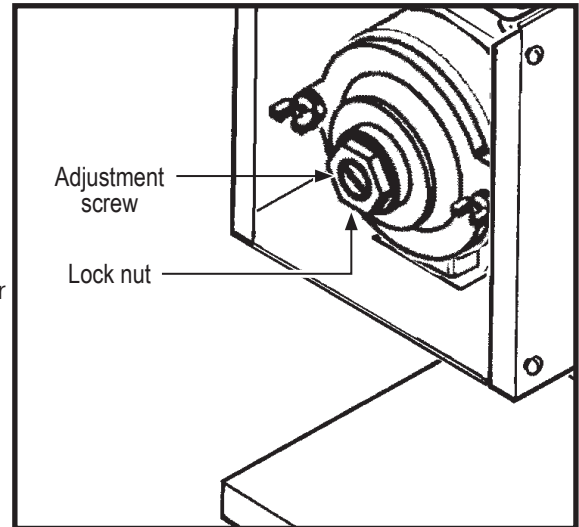
### Grinder Adjustment Procedure



**WARNING: Electric Shock Hazard** - Turn off power while removing and replacing the front cover. Keep hands, other body parts and tools clear of electrical wiring during the following procedures.

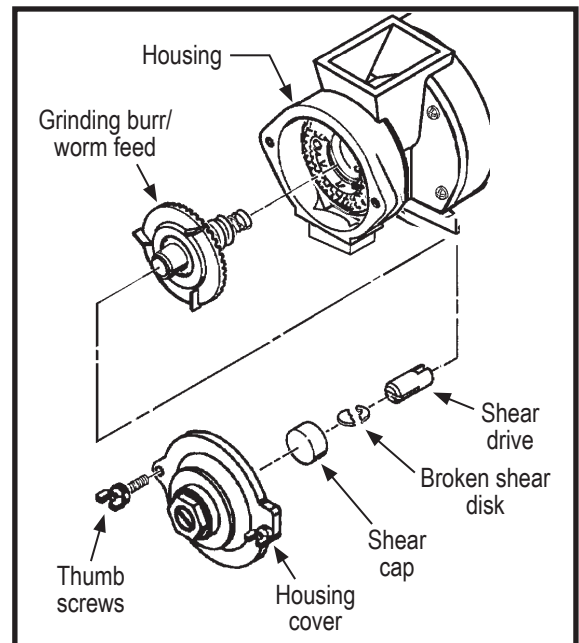
The grinder can be adjusted to make the ground coffee more fine or more course. Adjusting the grinder may affect the output volume. To compensate, adjust the timer (see *Setting the Timer*).

- 1 Remove the coffee beans from the hopper.
- 2 Run the grinder to clear the grinding burrs of remaining coffee.
- 3 Disconnect the power cord.
- 4 Remove the front cover.
- 5 Locate the adjusting screw and lock nut on the front of the grinder motor. Loosen the lock nut (1).
- 6 Run the motor during adjustment, turning the adjustment screw (2) clockwise will result in a finer grind. If you hear the grinding burrs starting to touch, immediately, back off 1/8th turn. Turning the screw counter-clockwise will produce a coarser grind.
- 7 To lock in the setting, hold the adjustment screw in place with a screwdriver and tighten the lock nut.
- 8 Grind some coffee beans to determine if the desired fineness/coarseness has been achieved.
- 9 Disconnect the power cord and replace the front cover.



### Replacing a Broken Shear Disk

- 1 Remove the coffee beans from the hopper.
- 2 Disconnect the power cord.
- 3 Remove the front cover.
- 4 On the grind motor assembly, take out the two thumb screws and remove the housing cover.
- 5 Pull out the grinding burr/feed worm assembly. The inner half of the grinding burrs will remain within the housing.
- 6 Separate the shear cap and shear drive. The broken shear disk should fall out from the slot on the drive.
- 7 Inspect the housing and clean out any coffee or debris. Look for something that could have gotten caught inside the housing that would have caused the shear disk to break.
- 8 Re-insert the feed worm and grinding burr on the motor shaft.
- 9 Push the shear drive through the burr/feed worm assembly and align the large slot with the tongue on the motor shaft.
- 10 Rotate the burr/feed worm assembly to align the slot with the narrow slot on the shear drive.
- 11 Slip a new shear disk into the slot. Cover it with the shear cap.
- 12 Replace the grind cap and thumb screws.
- 13 Replace the front cover.
- 14 Reconnect the power cord.



Wilbur Curtis Co., Inc. certifies that its products are free from defects in material and workmanship under normal use. The following limited warranties and conditions apply:

- 3 years, parts and labor, from original date of purchase on digital control boards
- 2 years, parts, from original date of purchase on all other electrical components, fittings and tubing
- 1 year, labor, from original date of purchase on all other electrical components, fittings and tubing

Additionally, Wilbur Curtis Co., Inc. warrants its grinding burrs for forty (40) months from the date of purchase or 40,000 pounds of coffee, whichever comes first. Stainless steel components are warranted for two (2) years from the date of purchase against leaking or pitting. Replacement parts are warranted for ninety (90) days from the date of purchase or for the remainder of the limited warranty period of the equipment in which the component is installed.

All in-warranty service calls must have prior authorization. For authorization, call the Technical Support Department at 800-995-0417. Additional conditions may apply. Go to [www.wilburcurtis.com](http://www.wilburcurtis.com) to view the full product warranty information.

## CONDITIONS & EXCEPTIONS

The warranty covers original equipment at time of purchase only. Wilbur Curtis Co., Inc., assumes no responsibility for substitute replacement parts installed on Curtis equipment that have not been purchased from Wilbur Curtis Co., Inc. Wilbur Curtis Co., Inc. will not accept any responsibility if the following conditions are not met. The warranty does not cover:

- **Adjustments and cleaning:** *The resetting of safety thermostats and circuit breakers, programming and temperature adjustments are the responsibility of the equipment owner. The owner is responsible for proper cleaning and regular maintenance of this equipment.*
- **Replacement of items subject to normal use and wear:** *This shall include, but is not limited to, spray heads, faucets, light bulbs, shear disks, "O" rings, gaskets, silicone tubing, silicone elbows, canister assemblies, whipper chambers and plates, mixing bowls, agitation assemblies and whipper propellers.*

The warranty is void under the following circumstances:

- **Improper operation of equipment:** *The equipment must be used for its designed and intended purpose and function.*
- **Improper installation of equipment:** *This equipment must be installed by a professional technician and must comply with all local electrical, mechanical and plumbing codes.*
- **Improper voltage:** *Equipment must be installed at the voltage stated on the serial plate supplied with this equipment.*
- **Improper water supply:** *This includes, but is not limited to, excessive or low water pressure and inadequate or fluctuating water flow rate.*
- **Damaged in transit:** *Equipment damaged in transit is the responsibility of the freight company and a claim should be made with the carrier.*
- **Abuse or neglect (including failure to periodically clean or remove lime accumulations):** *The manufacturer is not responsible for variation in equipment operation due to excessive lime or local water conditions. The equipment must be maintained according to the manufacturer's recommendations.*

**Repairs and/or Replacements** are subject to Curtis' decision that the workmanship or parts were faulty and the defects showed up under normal use. All labor shall be performed during regular working hours. Overtime charges are the responsibility of the owner. Charges incurred by delays, waiting time, or operating restrictions that hinder the service technician's ability to perform service is the responsibility of the owner of the equipment. This includes institutional and correctional facilities. Wilbur Curtis Co., Inc. will allow up to 100 miles, round trip, per in-warranty service call.

**Return Merchandise Authorization (RMA):** All claims under this warranty must be submitted to the Wilbur Curtis Technical Support Department prior to performing any repair work or return of this equipment to the factory. **All returned equipment must be properly re-packaged in the original carton and received by Curtis within 45 days following the issuance of a RMA.** No units will be accepted if they are damaged in transit due to improper packaging. **NO UNITS OR PARTS WILL BE ACCEPTED WITHOUT A RETURN MERCHANDISE AUTHORIZATION (RMA). THE RMA NUMBER MUST BE MARKED ON THE CARTON OR SHIPPING LABEL. All warranty claims must be submitted within 60 days of service. Invoices will not be processed or accepted without a RMA number. Any defective parts must be returned in order for warranty invoices to be processed and approved.** All in-warranty service calls must be performed by an authorized service agent. Call the Wilbur Curtis Technical Support Department to find an agent near you.