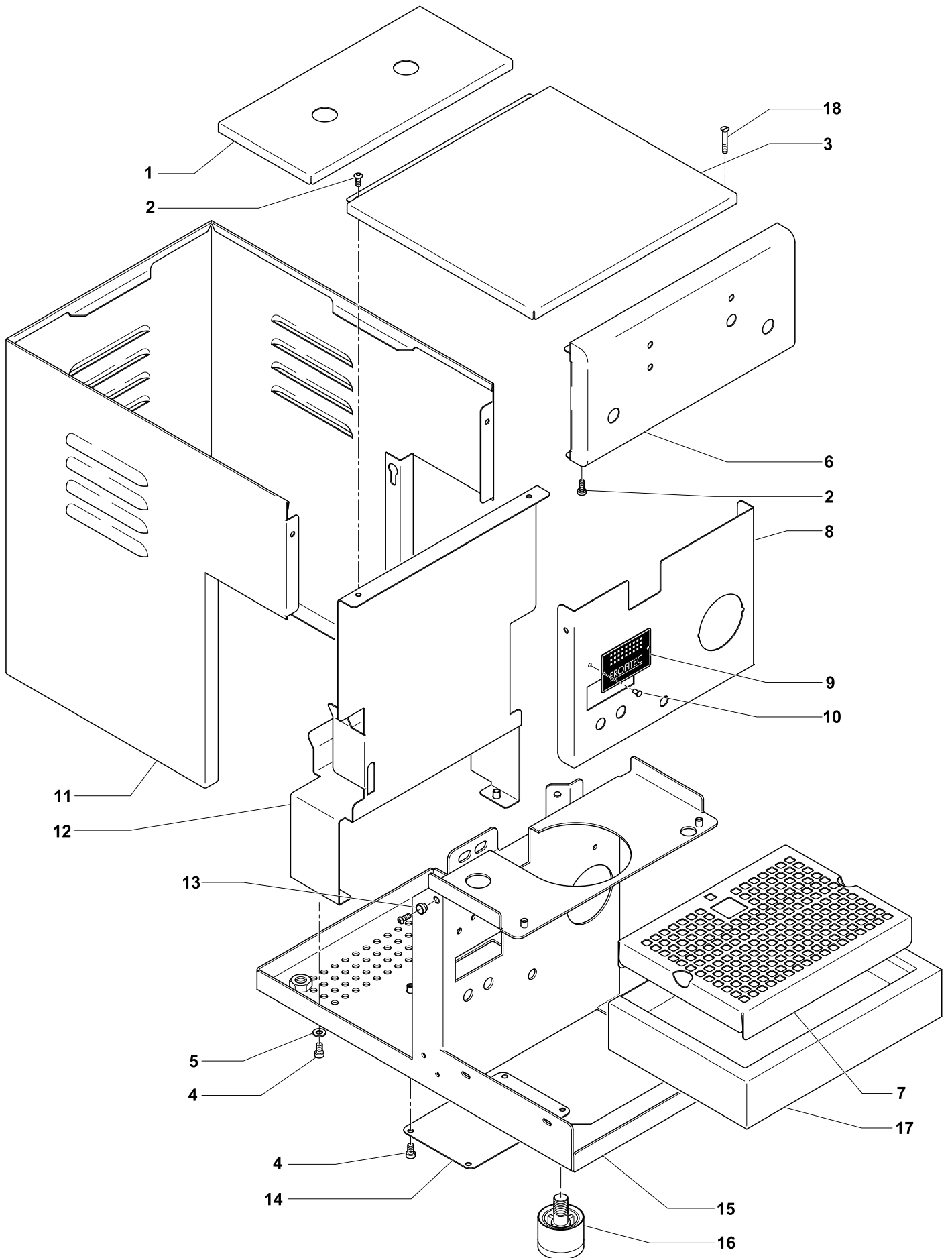


PRO 300

Ersatzteile Parti di Ricambio

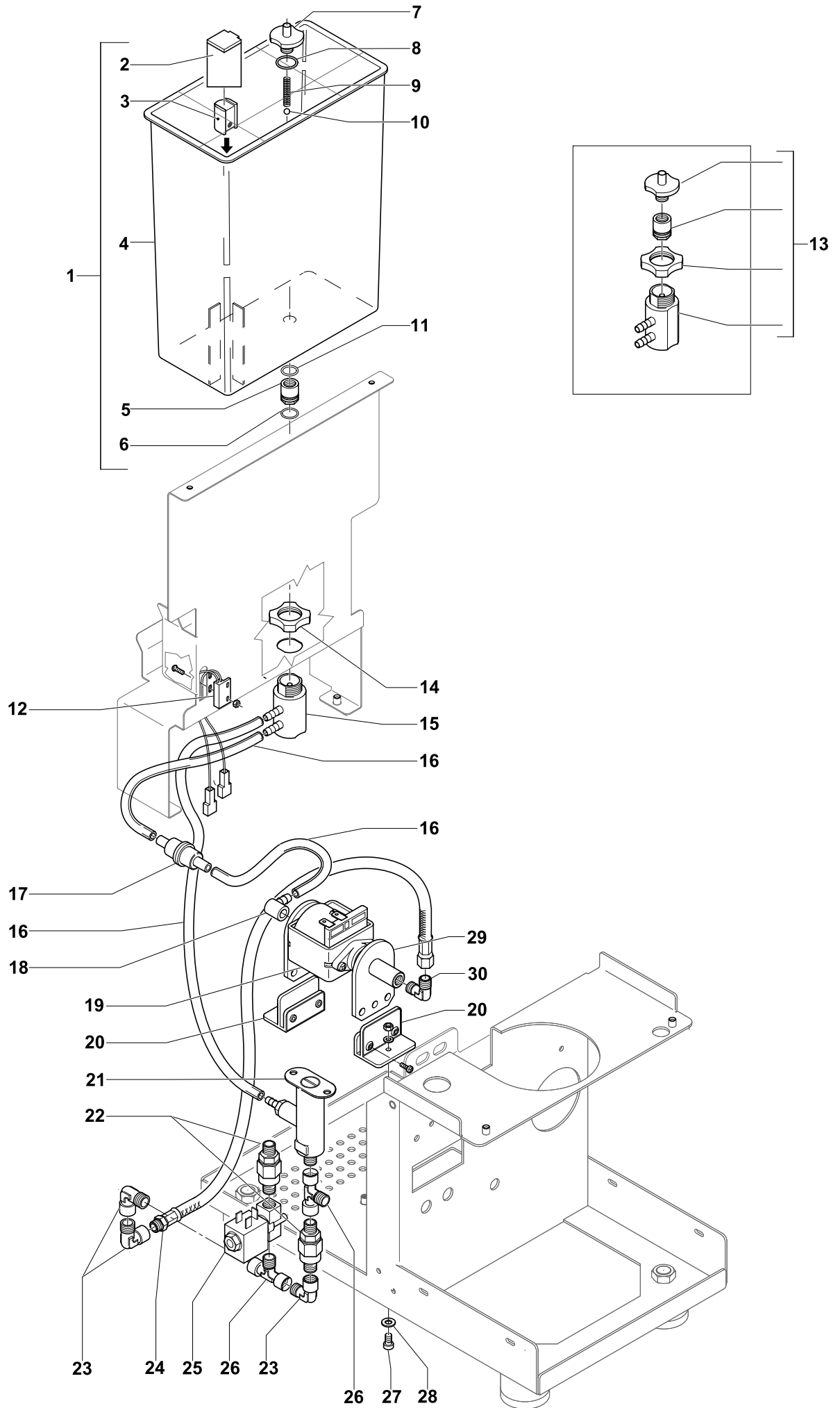
Drawing 01



Pro 300 - Table 1

Pos.	Artikelnr./ item no./ num.art.	Bezeichnung	Description	Descrizione	Preis/ price/ prezzo in €
1	P2135	Deckel Wassertank	Cover water tank	Copertura serbatoio	22,90
2	P2022	Schraube Linsenkopf M4x10	Lens screw M4x10	Vite Bombata M4x10	0,25
3	P2132	Tassenablage	Cup warming tray	Scalda tazze	30,16
4	P2006	Schraube Zylinderkopf M4x10	Screw cylinder M4x10	Vite M 4x10	0,12
5	P6100	Unterlegscheibe 4,3x12,0x1,0	Washer 4,3x12,0x1,0	Rondella piana 4,3x12,0x1,0	0,10
6	P2131	Frontblech oben	Front panel upper	Frontalino sopra	32,95
7	P2134	Gitter Wasserauffangschale	Grid trip tray	Griglia bacinella	36,50
8	P2130	Frontblech unten	Front panel lower	Frontalino sotto	23,90
9	P2063	Emblem Profitec	Emblem Profitec	Emblema Profitec	4,60
10	P1998	Blindniete Flachrundkopf 2,4x12	Blind rivet struss Head 2,4x12	Rivetti truss testa 2,4x12	0,10
11	P2133	U-Gehäuse	U-housing	U-alloggio	149,00
12	P2128	Wassertankführung	Eater tank guide rail	Guida Serbatoio	48,24
13	B5220818.1	Messingbuchse	Brass bushing	Ottone bussola	0,42
14	P2127	Abdeckung Chassis	Chassis cover	Copertura dello chassis	5,24
15	P2126	Rahmen/Chassis	Chassis	Basamento	91,95
16	P7025	Fuß h=30, M10	Foot h=30, M10	Piedino inox	6,90
17	P9003	Wasserauffangschale	Drip tray	Bacinella	119,50
18	B7819911	Schraube Linsenkopf M4x25	Lens screw M4x25	Vite Bombata M4x25	0,39

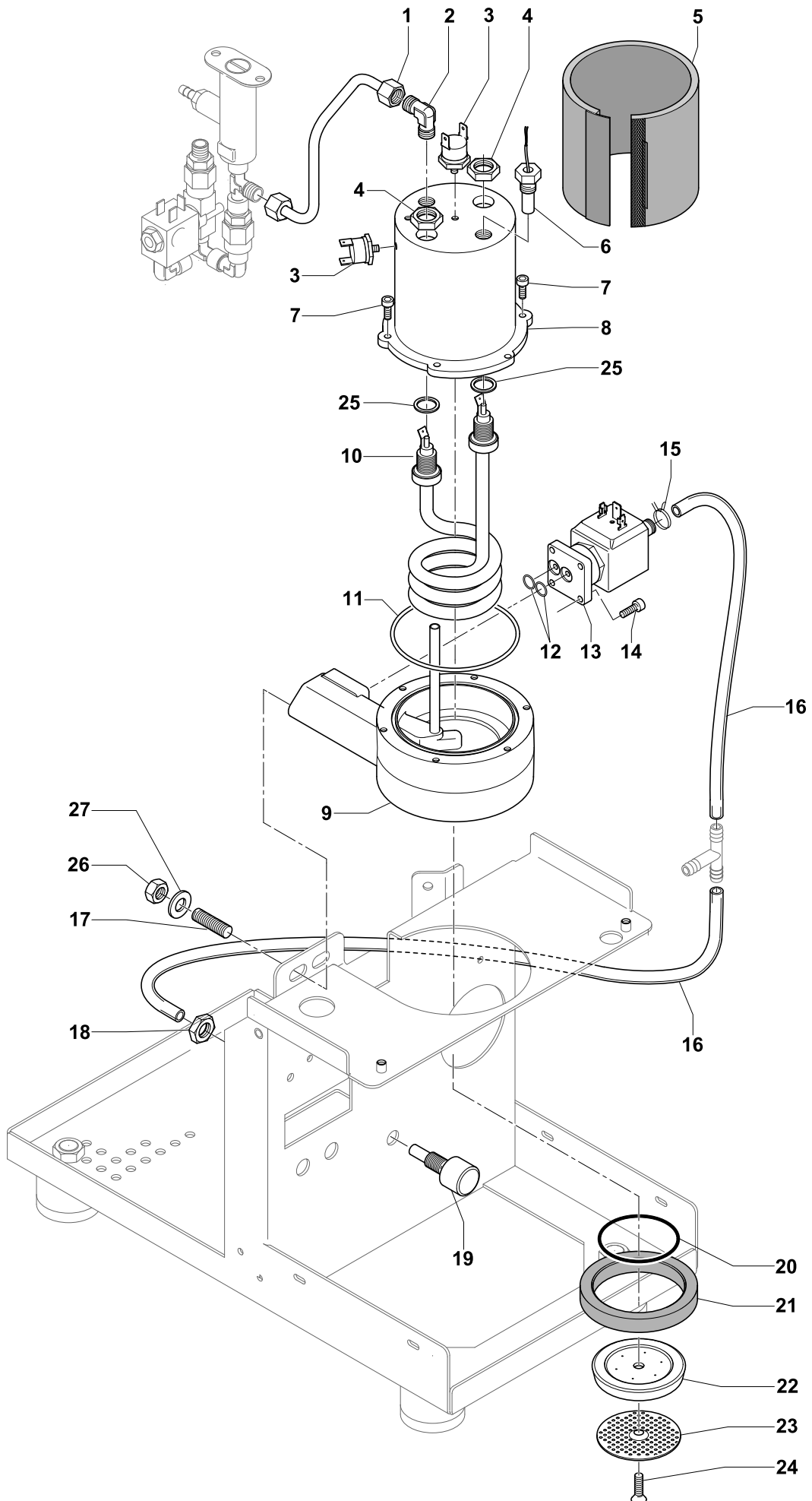
Drawing 02



Pro 300 - Table 2

Pos.	Artikelnr./ item no./ num.art.	Bezeichnung	Description	Descrizione	Preis/ price/ prezzo in €
1	P9010.K1	Wassertank komplett	Water tank with guide rail reed complete	Serbatoio completo	42,90
2	P6016	Wassertank Stöpsel	Water tank plug	Tappo per serbatoio	1,85
3	P6021	Reed Schwimmer	Reed swimmer	Galleggiante float	3,90
4	P9010	Wassertank	Water tank	Serbatoio	25,00
5	P6017	Wassertankadapter Verschraubung unten	Water tank adapter, lower, stainless steel	Portagomma innesto serbatoio	4,95
6	B7496076	O-Ring Wassertank unten	Seal OR 112	Guarnizione OR 112	0,65
7	P6020	Wassertankadapter Stutzen oben	Water tank adapter, upper, stainless steel	Perno portagomma serbatoio	6,95
8	P6020.3	O-Ring Wassertank oben	Seal	Guarnizione	0,29
9	P6023	Feder Wassertank	Spring water tank	Molla serbatoio	1,25
10	B5471509	Kugel 7/32"	Ball 7/32"	Sfera inox 7/32"	0,45
11	P6025	Dichtung Wassertank Mitte	Gasket for water tank adapter	OR raccordo serbatoio, mezzo	0,10
12	P6022	Reed Sensor	Reed sensor	Sensore reed	9,76
13	P6020.NK	Wassertankadapter neu komplett	Water tank adapter new complete	Adattatore nuovo completo	21,30
14	P6020.K3	Mutter M20 Wassertank	Nut M20 water tank plastic	Dado M20	3,45
15	P6020.K4	Fitting Wassertank M20	Fitting water tank M20 plastic	Bicchierino serbatoio	3,45
16	C499900769	Silikonschlauch 8x5, 1fm	Silicone hose 8x5; 1 m	Tubo silicone 8x5	5,06
17	C439900695	Filter für Silikonschlauch WTA	Filter for silicone hose	Filtro per tubo silicone	4,04
18	C449900709	Pipette L-Winkel Ulka Pumpe	Pipette expansion valve	Pipetta santoprene scarico espansione	0,70
19	C199900286	Vibrationspumpe Ulka EX5 220V/50Hz 48W	Vibration pump Ulka EX5 220V/50Hz 48W	Pompa a vibrazione Ulka EX5 220V/50Hz 48W	40,39
19	US1001	Vibrationspumpe Ulka EX5 120V/60Hz 52W	Vibration pump Ulka EX5 120V/60Hz 52W	Pompa a vibrazione Ulka EX5 120V/60Hz 52W	40,39
20	P3006.K	Kunststoffhalterung Pumpe L	L-Bracket for pump, plastic	Staffa supporto pompa L	1,20
21	P2555.K	Expansionsventil	Expansion valve	Valvola espansione	29,95
22	C229900548	Rückschlagventil 1/8" MM	Recoil valve 1/8" MM	Valvola non ritorno 1/8" MM	10,52
23	P9014	L-Verbindungsstück 1/8"M 1/8"F	L-connector 1/8"M 1/8"F	Raccordo L 1/8" M 1/8"F	4,16
24	P8012	Metallschlauch flex 1/8"M 1/8"F, 17 cm	Metal hose flex 1/8"M 1/8"F, 17 cm	Tubo flex 1/8"M 1/8"F, 17 cm	8,90
25	C199900275	Magnetventil 230V 2 Wege 1/8-1/8	Solenoid valve 230V 2 ways 1/8 1/8	Eletrovalvola 230V/50 Hz 2 vie 1/8"	25,51
25	US1005	Magnetventil 110V 2 Wege 1/8-1/8	Solenoid valve 110V 2 ways 1/8-1/8	Eletrovalvola 110V 2 vie 1/8"	25,51
26	E2113001	T-Stück 1/8" MFF	T-connector 1/8" MFF	Raccordo a T 1/8" MFF	5,00
27	P2006	Schraube Zylinderkopf M4x10	Screw cylinder M4x10	Vite M 4x10	0,12
28	P6100	Unterlegscheibe 4,3x12,0x1,0	Washer 4,3x12,0x1,0	Rondella piana 4,3x12,0x1,0	0,10
29	C249900770	Halterung Pumpe	Bracket for pump	Antivibrante standard	1,51
30	P9015	L-Verbindungsstück 1/8"M 1/4"M	L-connector 1/8"M 1/4"M	Raccordo L 1/8"M 1/4"M	4,16

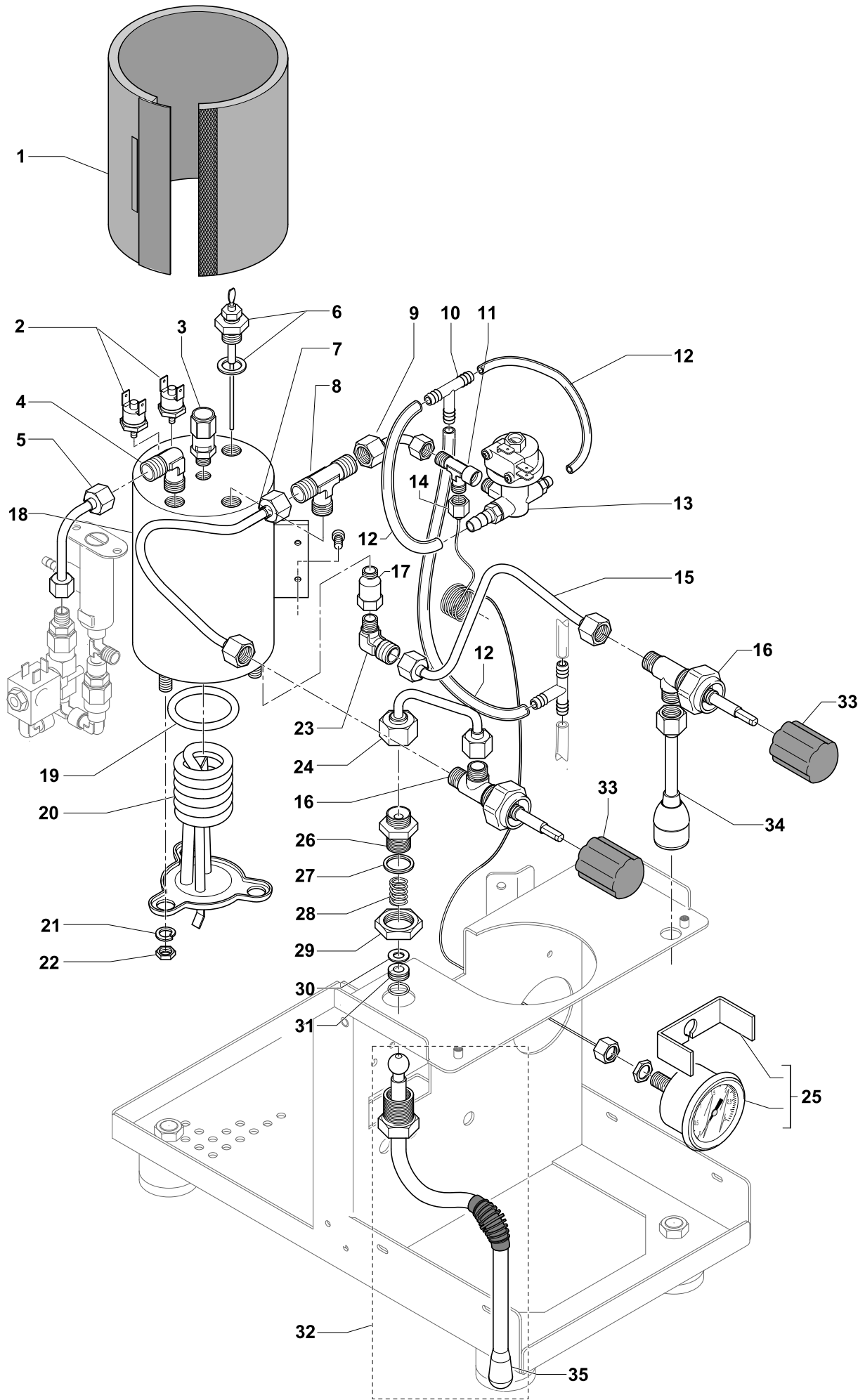
Drawing 03



Pro 300 - Table 3

Pos.	Artikelnr./ item no./ num.art.	Bezeichnung	Description	Descrizione	Preis/ price/ prezzo in €
1	P2512	Befüllungsrohr Kaffeekessel	Coffee boiler loading tube	Tubo carico caldaia caffè	6,82
2	C229900579	L-Verbindungsstück 1/8"M 1/8"M	L-connector 1/8"M 1/8"M	Raccordo L 1/8"M 1/8"M	4,16
3	C199901550.1	Sicherheitsthermostat 145°C	Safety thermostat 145°C	Termostato di sicurezza 145°C	6,90
4	C329900682	Halbmutter 1/4"	Half nut 1/4"	Mezzo dado 1/4"	0,74
5	P7060	Isolierung Kaffeekessel	Isolation coffee boiler	Isolazione caldaia caffè	10,50
6	P6036	Temperatursensor 1/8"	Temperature sensor 1/8"	Sensore temperatura 1/8"	34,80
7	P2006	Schraube Zylinderkopf M4x10	Screw cylinder M4x10	Vite M 4x10	0,12
8	P2042.4	Kaffeekessel	Coffee boiler	Caldaia caffè	89,00
9	P2042.1	Brühgruppe	Brewing Group	Gruppo erogatore	89,00
10	P2042.9	Heizung Kaffeekessel 230V 1200W	Heating element coffee boiler 230V 1200W	Resistenza caldaia caffè 230V 1200W	40,39
	US1056	Heizung Kaffeekessel 110V 800W	Heating element coffee boiler 110V 800W	Resistenza caldaia caffè 110V 800W	40,39
11	P2042.2	Dichtung Kaffeekessel	Seal coffee boiler	Sigillo caldaia caffè	2,53
12	C449900786	Dichtung Magnetventil	Gasket solenoid valve	Sigillo elettrovalvola	0,46
13	C199900226	Magnetventil 230V 3 Wege	Solenoid valve 230V 3 ways	Elettrovalvola 230V 3 vie	40,65
	US1014	Magnetventil 110V 3 Wege	Solenoid valve 110V 3 ways	Elettrovalvola 110V 3 vie	40,65
14	P2006	Schraube Zylinderkopf M4x10	Screw cylinder M4x10	Vite M 4x10	0,12
15	P1997	Klammer Silikonschlauch	Clip silicone tube	Molla Tubo Silicone	0,70
16	C499900769	Silikonschlauch 8x5, lfm	Silicone hose 8x5	Tubo silicone 8x5	5,06
17	C309900131	Gewindestift M8 x 31	Allen screw M8x31	Tie rod M8 x 31	0,40
18	P6103	Halbmutter M10	Half nut M10	Dado M10	0,40
19	C227700898	Ablaufdüse	Discharge nozzle	Scarico espansione	13,90
20	C449900790	Dichtung Duschplatte	Gasket shower	Guarnizione doccia	4,04
21	C449900230	Gruppendichtung h=7,8	Group gasket h=7,8	Guarnizione sottocoppa h=7,8	5,00
22	C529900550	Duschenhalter	Fitting shower	Portadoccetta	10,17
23	C519900102	Duschplatte	Shower	Doccia	5,06
24	C319900134	Schraube Senkkopf M5x10	Screw countersunk M5x10	Vite Svasata M5x10	0,23
25	C449901227	Dichtung Heizung Kaffeekessel	Seal heating element coffee boiler	Sigillo resistenza caldaia caffè	0,74
26	C309900127	Sechskantmutter M8	Hex nut M8	Dado M8	0,30
27	P2011	Federring 8,0	Spring ring 8,0	Anello elastico 8,0	0,18
o.N.	P2042	Brühgruppe komplett 230V mit Kessel und Heizung	Brew group with boiler and heating element, 230 V	Gruppo erogatore completo con resistenza caldaia	178,00

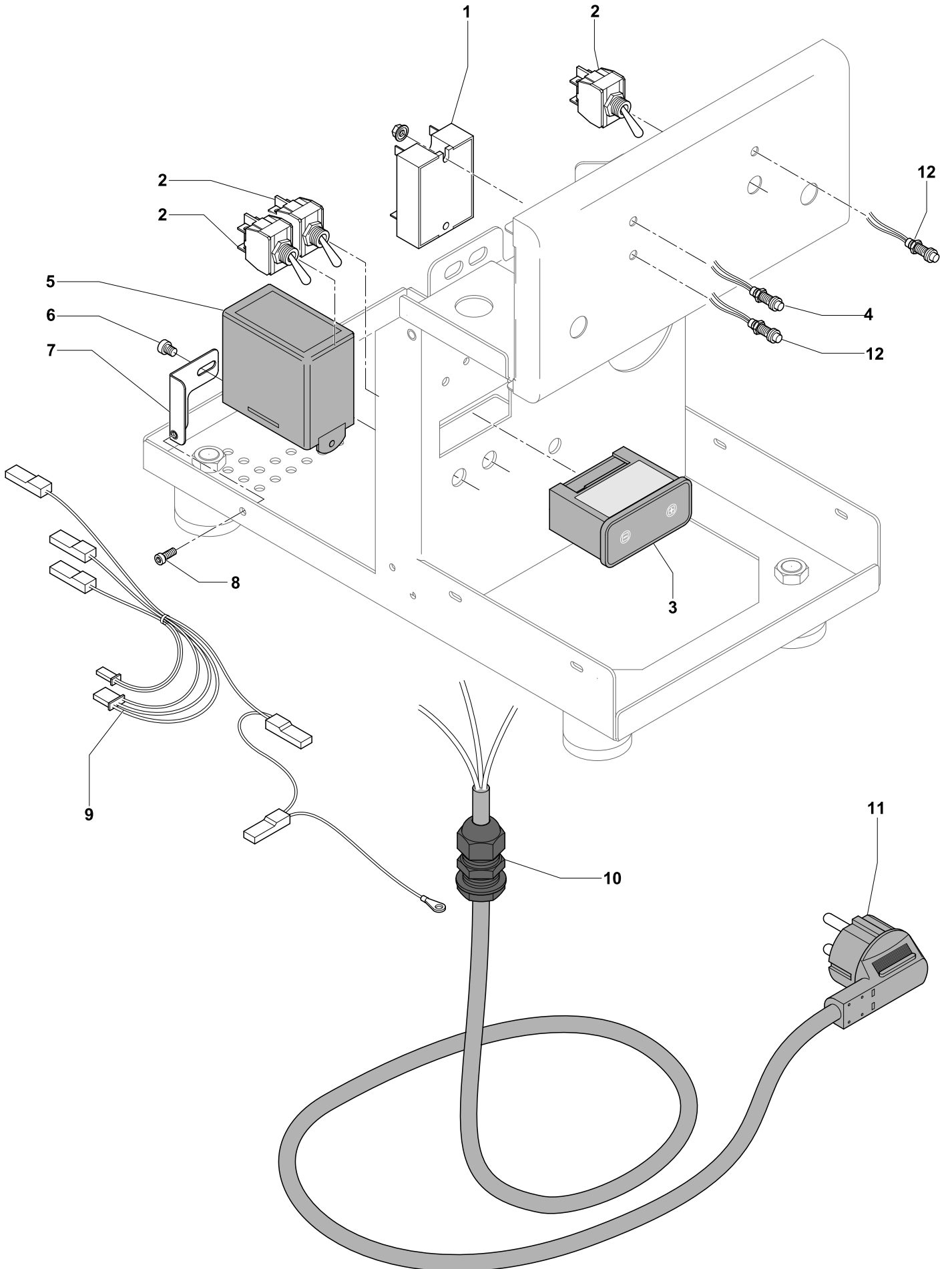
Drawing 04



Pro 300 - Table 4

Pos.	Artikelnr./ item no./ num.art.	Bezeichnung	Description	Descrizione	Preis/ price/ prezzo in €
1	P7051	Isolierung Dampf-/Heißwasserkessel	Isolation steam-/hot water boiler	Isolazione caldaia vapore acqua	19,95
2	C199901550.1	Sicherheitsthermostat 145°C	Safety thermostat 145°C	Termostato di sicurezza 145°C	6,90
3	P2509	Sicherheitsventil 1/4"	Safety valve 1/4"	Valvola di sicurezza 1/4"	16,90
4	C229900525	L-Verbindungsstück 1/4"M 1/4"M	L-connector 1/4"M 1/4"M	Raccordo L 1/4"M 1/4"M	4,06
5	P1904	Befüllungsrohr Dampf-/HW-Kessel	Steam-/hot water boiler loading tube	Tubo carico caldaia vapore/acqua	6,82
6	C199900839	Füllstandskontrollsonde l=80	Level probe l=80	Livello l=80	15,29
7	P2511	Rohr Dampfentnahme	Pipe steam extraction	Tubo prelievo vapore	7,95
8	P2519	T-Stück 1/4" MMM	T-connector 1/4" MMM	Raccordo a T 1/4" MMM	5,42
9	P3546	Verbindungsrohr Pressostat	Connection pipe pressure switch	Tubo di collegamento pressostato	7,96
10	C400001932	T-Stück Kunststoff	Tee plastic	T di plastica	1,90
11	C229900644	T-Stück 1/8" MMF	T-connector 1/8" MMF	Raccordo a T 1/8" MMF	5,00
12	C499900769	Silikonschlauch 8x5, lfm	Silicone hose 8x5	Tubo silicone 8x5	5,06
13	C199900294	Pressostat	Pressure switch	Pressostato	30,17
	P6030	Anti-Vakuumentil Pressostat	Anti-vacuum valve pressure switch	Valvola antidepressione pressostato	16,50
14	B7400902	Kapillarrohr Kesselmanometer	Capillary tube boiler gauge	Capillare caldaia	3,95
15	P2514	Rohr Heißwasserentnahme	Pipe hot water extraction	Tubo prelievo acqua	11,08
16	P2550	Ventil Dampf/Ventil Heißwasser	Valve steam/valve hot water	Rubinetto vapore/rubinetto acqua	27,00
17	P2047	Verlängerung 1/8"M 1/8"F 22mm	Extension 1/8"M 1/8"F 22mm	Estensione 1/8"M 1/8"F	1,12
18	P2508	Dampf-/Heißwasserkessel	Steam-/hot water boiler	Caldaia vapore/acqua	132,00
19	P9013	Dichtung Heizung Dampf-/Heißwasserkessel	Seal heating element steam-/hot water boiler	Sigillo resistenza caldaia vapore/acqua	3,02
20	P9011	Heizung Dampf-/Heißwasserkessel 230V 1200W	Heating element steam-/hot water boiler 230V 1200W	Resistenza caldaia vapore/acqua 230V 1200W	40,39
	US1057	Heizung Dampf-/Heißwasserkessel 110V 800W	Heating steam/hot boiler 110V 800W	Resistenza caldaia vapore/ Pro300 110V	40,39
21	P2011	Federring 8,0	Spring ring 8,0	Anello elastico 8,0	0,18
22	C309900127	Sechskantmutter M8	Hexagon nut M8	Dado M8	0,30
23	P9015	L-Verbindungsstück 1/8"M 1/4"M	L-connector 1/8"M 1/4"M	Raccordo L 1/8"M 1/4"M	4,16
24	P2510	Verbindungsrohr Ventil-Dampfrohr	Connection pipe valve-steam wand	Tubo connessione valvola-lancia vapore	8,50
25	P2501	Kesseldruckmanometer	Boiler pressure gauge	Manometro caldaia	30,63
26	P9115.5	Verbindungsstück	Connection straight fitting	Nipplo Connessione	4,95
27	P6015	Dichtung Übergang Nuss-Ventil	Gasket nut-valve	Sigillo calotta-rubinetto	0,49
28	P9115.6	Feder Dampfventil	Spring steam valve	Molla per snodo	1,95
29	P9115.3	Kontermutter	Hex nut	Dado esagonale	3,95
30	P6012	Unterlegscheibe Pfanne	Washer socket	Lavatrice lunetta	0,28
31	P6010	Kugelpfanne Teflon	Ball socket teflon	Lunetta teflon	1,60
32	P2553	Dampfrohr no-burn	Steam wand no-burn	Lancia vapore	18,00
33	P2551	Ventilgriff	Handle	Manopola	4,90
34	P2552	Heißwasserrohr	Hot water wand	Lancia acqua	15,38
35	P2543	Dampfdüse 2 Löcher	Steam nozzle 2 holes	Spruzzatore vapore 2 fori	9,90
35	P2542	Dampfdüse 4 Löcher	Steam nozzle 4 holes	Spruzzatore vapore 4 fori	9,90

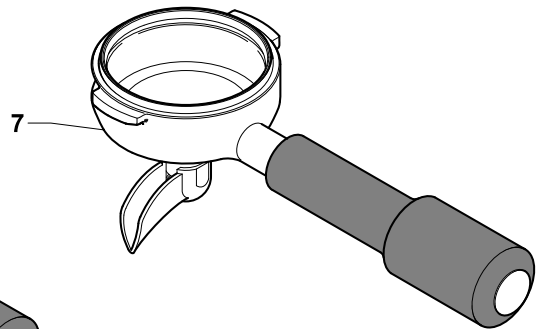
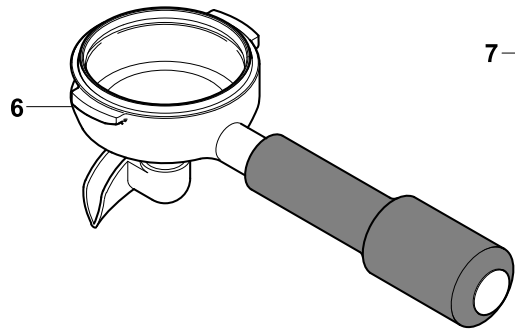
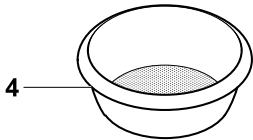
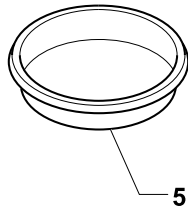
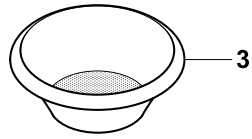
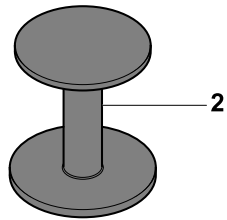
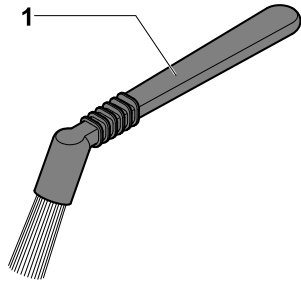
Drawing 05



Pro 300 - Table 5

Pos.	Artikelnr./ item no./ num.art.	Bezeichnung	Description	Descrizione	Preis/ price/ prezzo in €
1	P6031	Statisches Relais (45,7x58,6x26,5mm)	Static relay (45,7x58,6x26,5mm)	Relais statico (45,7x58,6x26,5mm)	27,10
2	C199900087	Ein/Ausschalter Metall	Bipolar switch lever	Interuttore levetta inox	11,71
3	P6035	Thermo PID 1 230V	Thermo PID 1 230V	Thermo PID 1 230V	98,00
	US1041	Thermo PID 1 115V	Thermo PID 1 115V	Thermo PID 1 115V	98,00
4	P9109	Kontrolllampe grün	Control lamp green	Lampada pia verde	4,40
5	M2004	Elektronik 240V	Controlbox 240V	Centralina 240V	101,75
	US1004	Elektronik 115V	Controlbox 115V	Centralina 115V	101,75
6	P2007	Schraube Zylinderkopf M5x10	Screw zylinder M5x10	Viti M5x10	0,11
7	P3005	Blech Halterung Elektronik	Bracket control box	Staffa centralina	3,50
8	P2006	Schraube Zylinderkopf M4x10	Screw zylinder M4x10	Viti M4x10	0,12
9	P2582	Kabelbaum	Cableloom	Cablaggio	41,00
10	P2070	Kabelbefestigung mit Mutter	Cable Fixing with hexagon nut	Fermacavo & dado	2,95
11	C199900957	Netzkabel Schucko	Cable with Schucko plug	Schucko cable	8,00
	P2034	Netzkabel US	Cable with US plug	US cable	9,90
	P2035	Netzkabel UK	Cable with UK plug	UK cable	9,90
	P2036	Netzkabel AU	Cable with AU plug	AU cable	9,90
12	P9108	Kontrolllampe orange	Control lamp orange	Lampada spia arancione	4,40

Drawing 06



Pro 300 - Table 6

Pos.	Artikelnr./ item no./ num.art.	Bezeichnung	Description	Descrizione	Preis/ price/ prezzo in €
1	R210	Reinigungspinsel für Duschensieb	Cleaning brush for shower screen	Spazzolino per doccia	2,48
2	C639900764	Stopfer/Tamper Kunststoff	Tamper plastics	Pressino	5,06
3	C619900104	Tassensieb 7g	Filter 7g	Filtro 7g	5,84
4	C619900105	Tassensieb 14g	Filter 14g	Filtro 14g	5,84
5	C619900106	Blindsieb	Blind filter	Filtro cieco	5,84
6	C699900234	Filterträger 2 Ausläufe	Portafilter 2 spouts	Portafiltro 2 vie	41,97
7	C699900233	Filterträger 1 Auslauf	Portafilter 1 spout	Portafiltro 1 vie	41,97