

# Aluminum Ribbon Super Tweeter Speaker

## Description:

The Aperion Audio Aluminum Ribbon Super Tweeter Speaker is a high-fidelity complement to any home audio system. Designed to reside on top of your existing speaker, the Aluminum Ribbon Super Tweeter can be used from 8kHz to 40kHz. With 5 preset crossover points, the Aperion Audio Aluminum Ribbon Super Tweeter provides customizable bright and detailed sound, enhancing the width & depth of your stereo sound field and accentuates the ultra-high frequency extension.

## Setup:

Place the Aluminum Ribbon Super Tweeter on top of the speaker you're pairing it with and connect it in parallel to the terminals of that speaker. A little experimentation works best to determine the optimal crossover point and output level by using the adjustment features on the rear panel. This will help the Aluminum Ribbon Super Tweeter to perfectly integrate with your speakers.

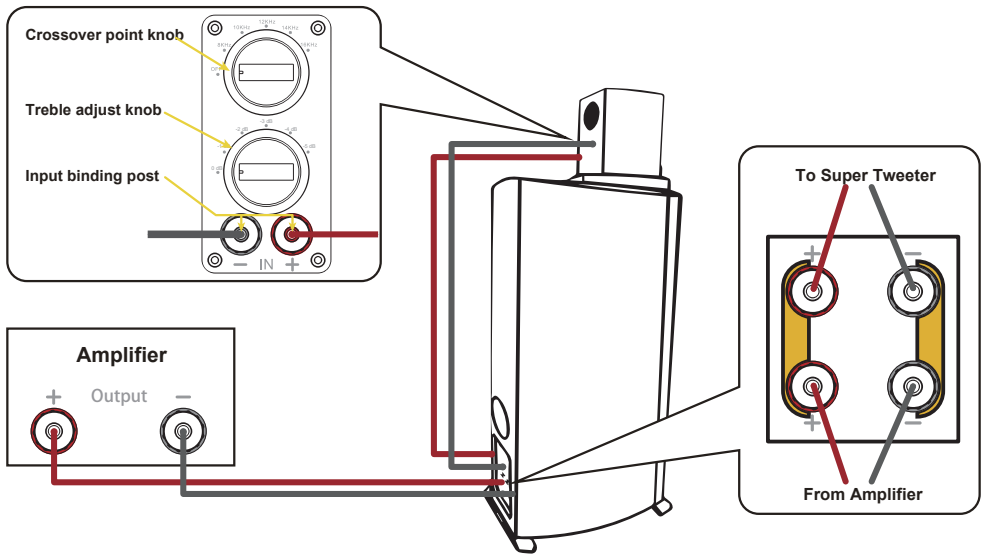
One of the unique features of our Aluminum Ribbon Super Tweeter is the onboard adjustable crossover. There are 5 crossover points: 8kHz, 10kHz, 12kHz, 14kHz, 16kHz.

Another great feature is the treble adjust knob. There are five output attenuation options: 0dB, -1dB, -2dB, -3dB, -4dB, -5dB.

The Aperion Audio Aluminum Ribbon Super Tweeter can be suitably matched with any speaker whose sensitivity is between 87~96 dB. We recommend initially setting crossover point to 12kHz and adjusting to preference from there. Depending on your speakers, you may want to try the different crossover settings to increase or decrease the Aluminum Ribbon Super Tweeter's operating range. The lower the crossover point, the more overlap there will be with your existing tweeter. If you feel the output of the Aluminum Ribbon Super Tweeter is too high, use the Treble Adjust Knob to reduce the level.

The chart below can be used to help match the Aluminum Ribbon Super Tweeter with your existing speaker's sensitivity:

Crossover Setting \ Treble Adjust Setting	0 dB	-1 dB	-2 dB	-3 dB	-4 dB	-5 dB
8 kHz	96 dB	95 dB	94 dB	93 dB	92 dB	91 dB
10 kHz	95 dB	94 dB	93 dB	92 dB	91 dB	90 dB
12 kHz	94 dB	93 dB	92 dB	91 dB	90 dB	89 dB
14 kHz	93 dB	92 dB	91 dB	90 dB	89 dB	86 dB
16 kHz	92 dB	91 dB	90 dB	89 dB	88 dB	87 dB



## Specification:

Frequency Range:	8kHz-40kHz
Crossover Frequency:	8kHz/10kHz/12kHz/14kHz/16kHz
Impedance:	6 ohms
Rated Power:	10-100W
Product Dimensions(HWD):	6"x4.4"x6.5" (151x112x166mm)(Single)
Package Dimensions(LWH):	13"x9"x9"(320x225x230mm) (Pair)
Product Net Weight:	4 lbs (1.75kg)/Single
Package Weight:	9 lbs (4kg)/Pair

