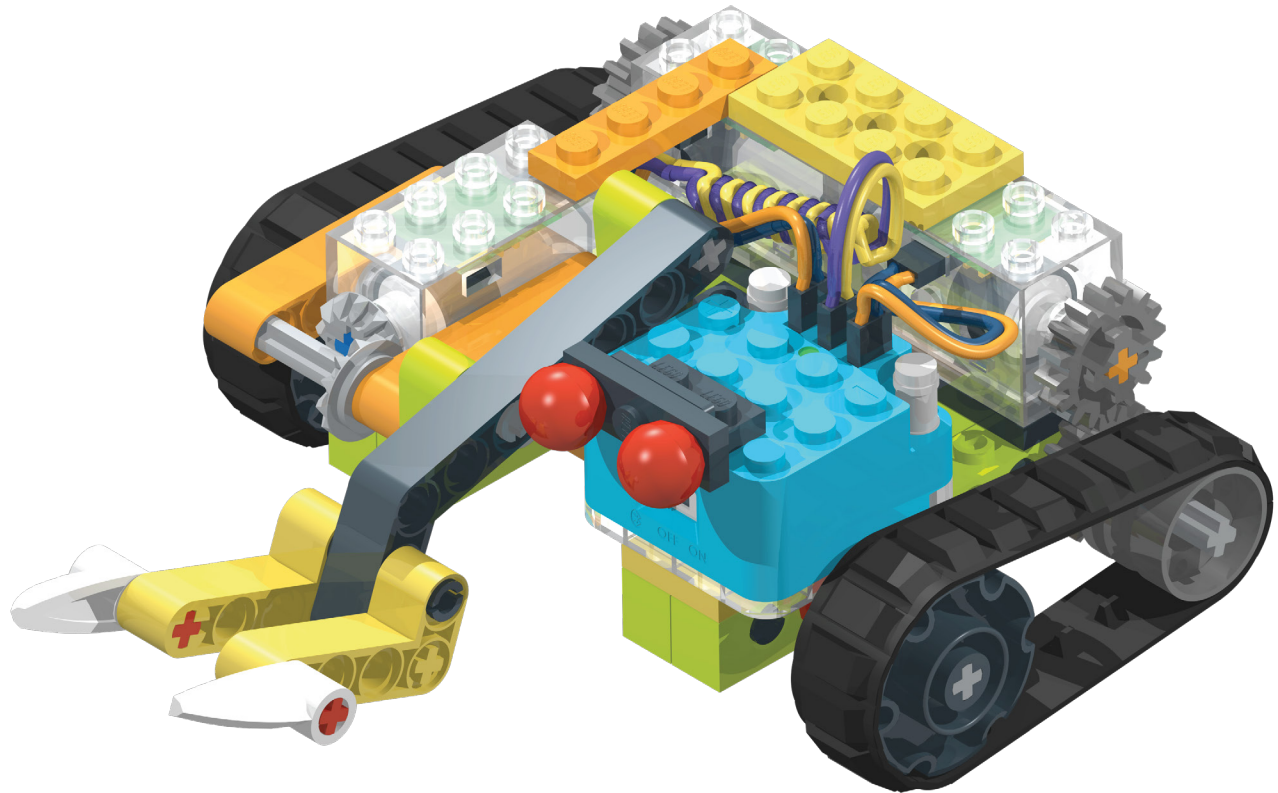
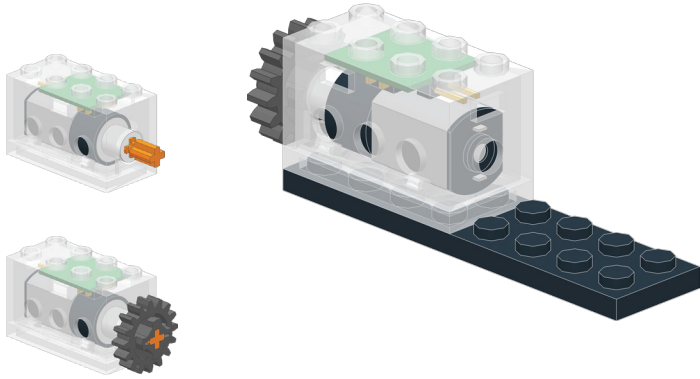


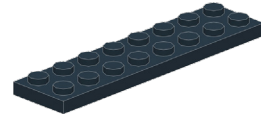
# *XR-B1*



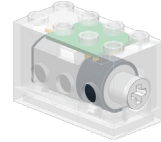
1



1



1



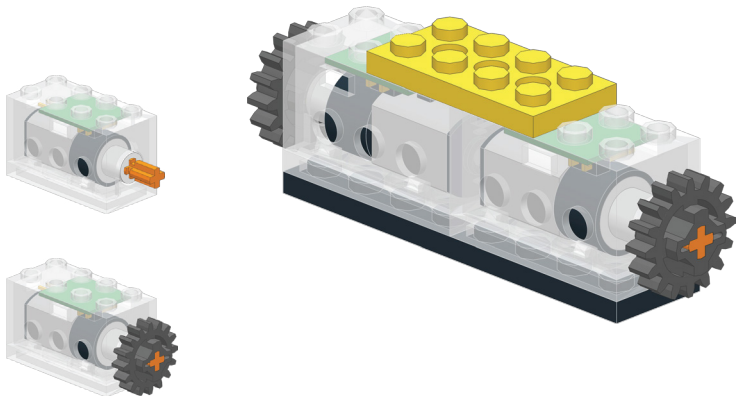
1



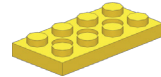
1



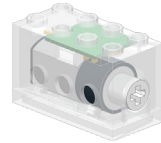
2



1



1



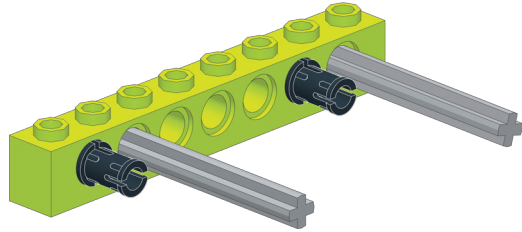
1



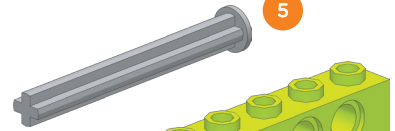
1



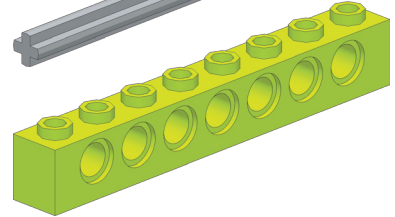
3



2



1



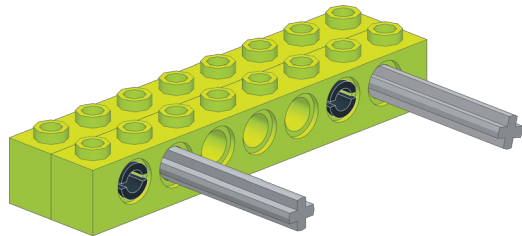
2



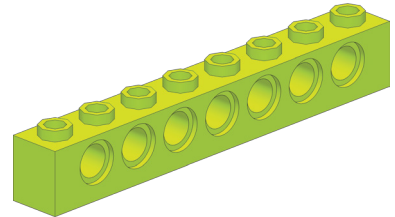
1:1 SCALE



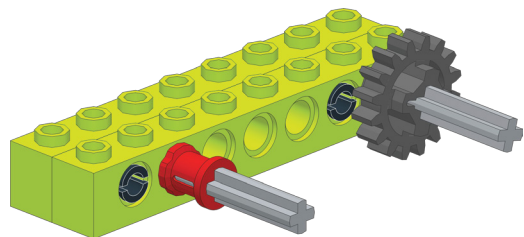
4



1



5



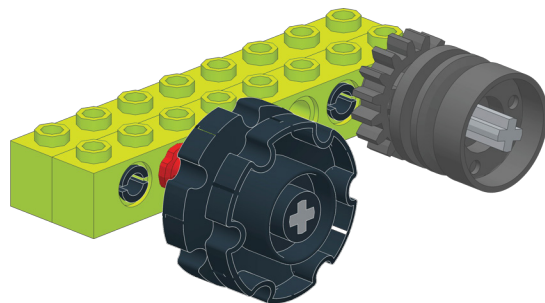
1



1



6



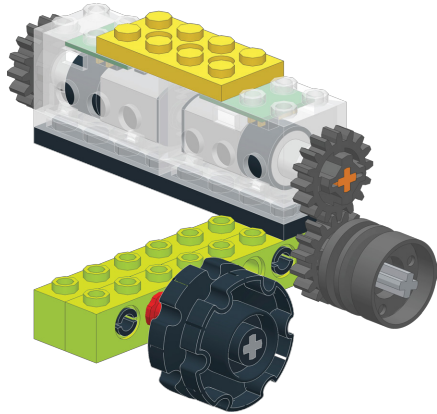
2



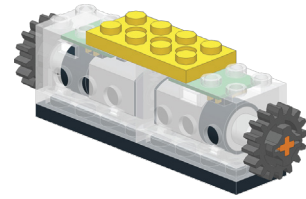
1



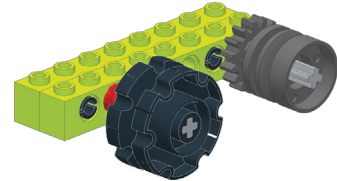
7



1



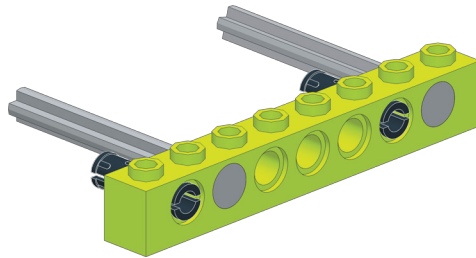
1



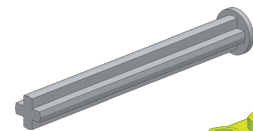
1:1 SCALE



8

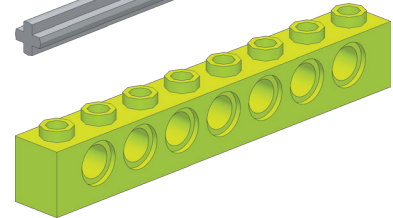


2



5

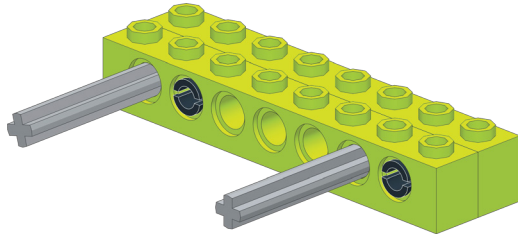
1



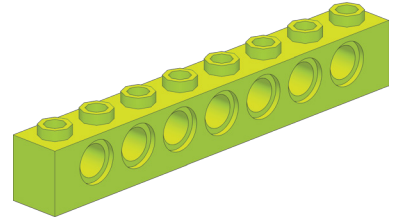
2



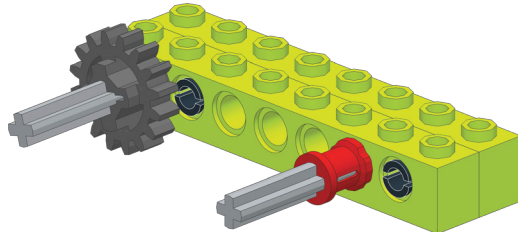
9



1



10



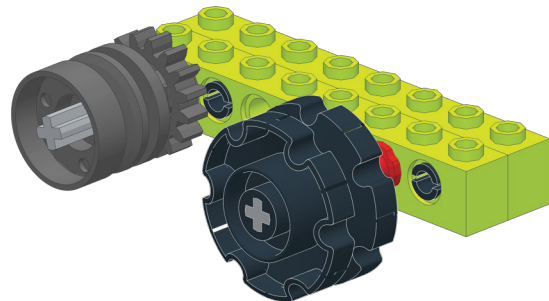
1



1



11



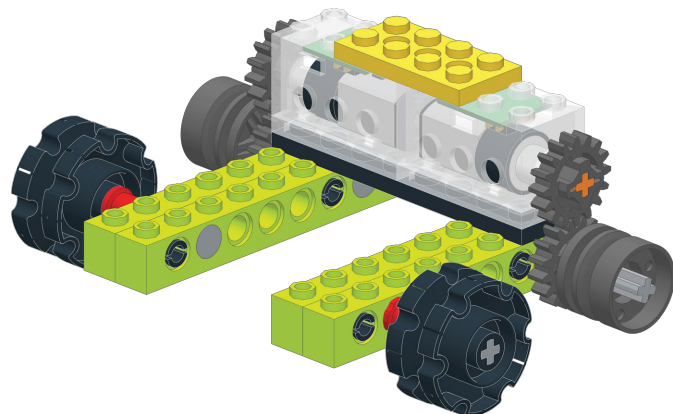
2



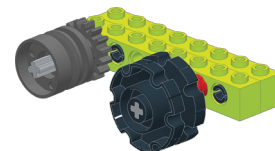
1



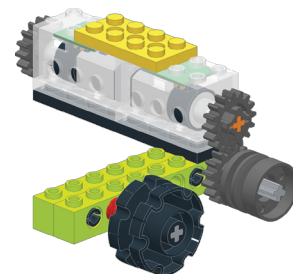
12



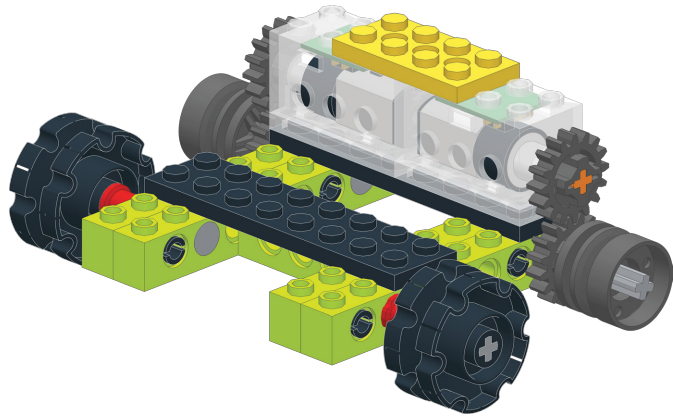
1



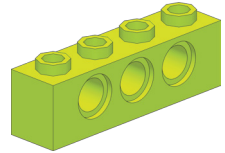
1



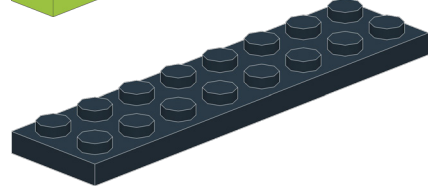
13



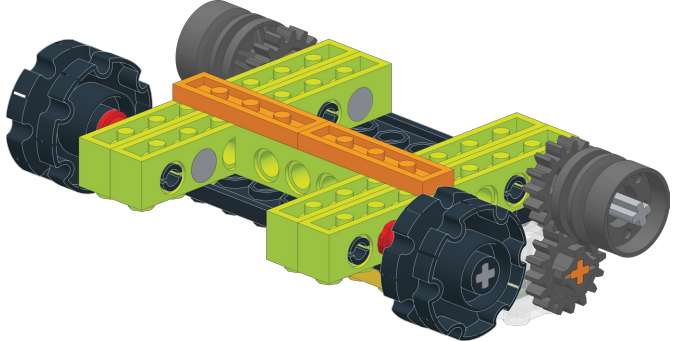
1



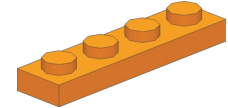
1



14

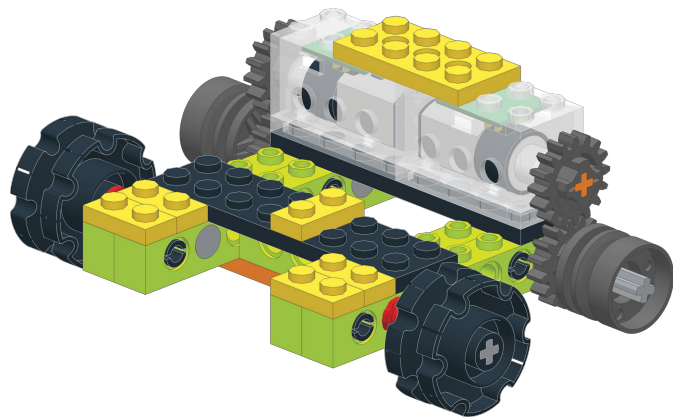


2

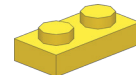




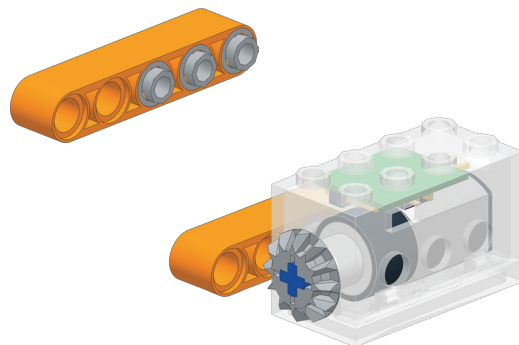
15



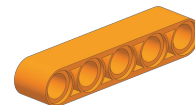
5



16



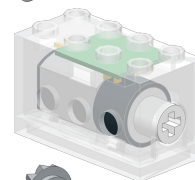
1



3



1



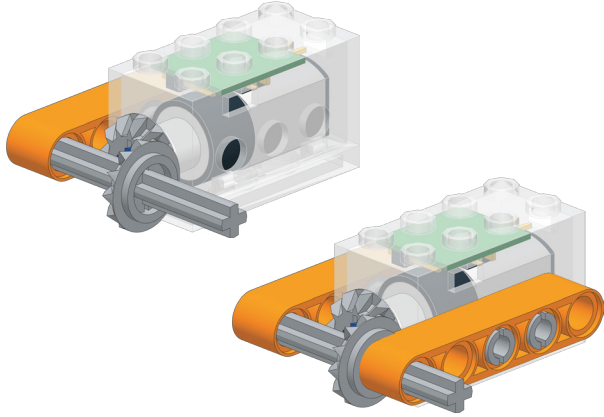
1



1



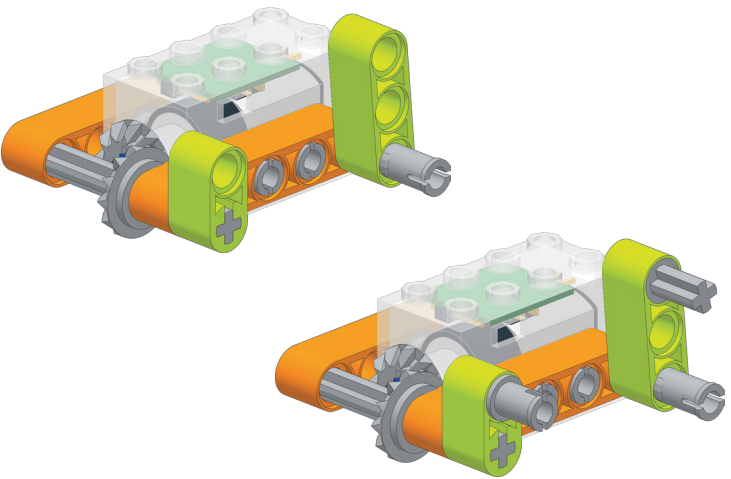
17



- 1
- 1
- 1
- 2
- 5

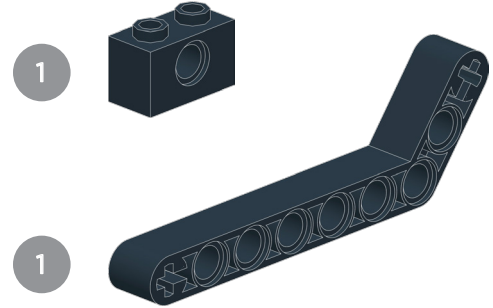
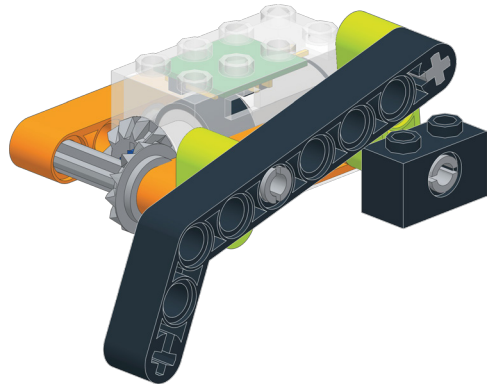


18

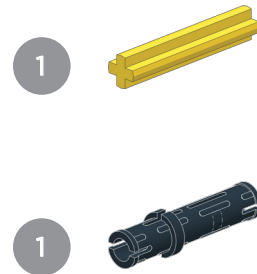
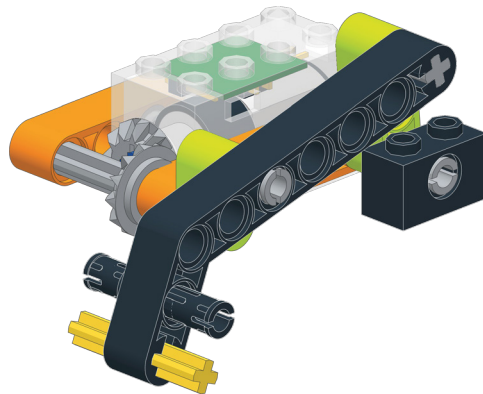


- 1
- 1
- 1
- 1
- 1

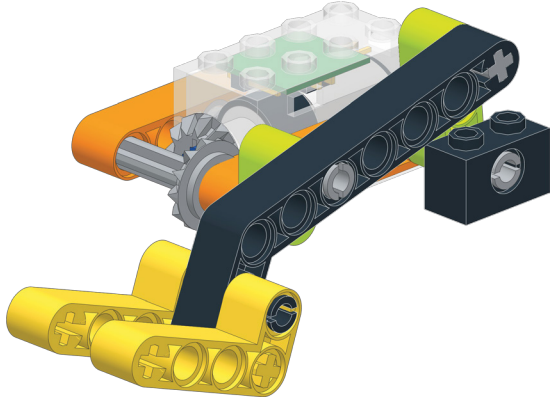
19



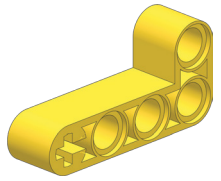
20



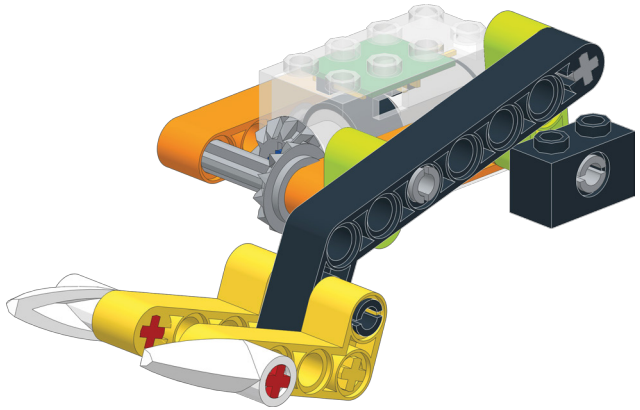
21



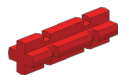
2



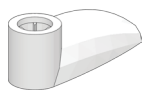
22



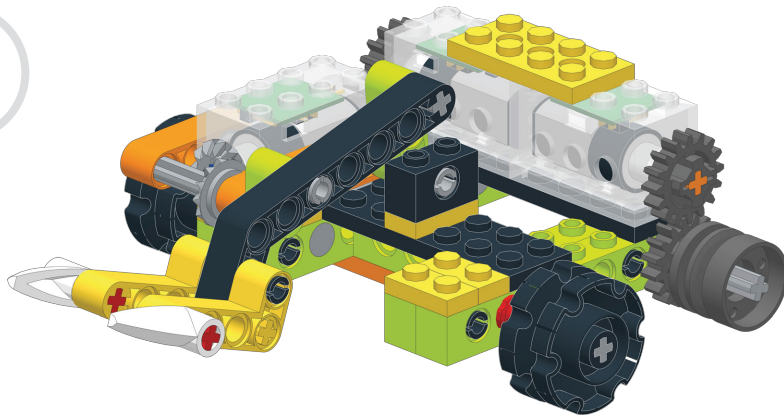
2



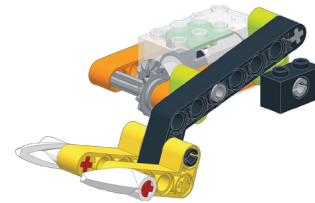
2



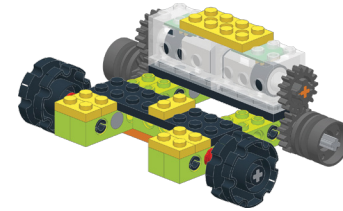
23



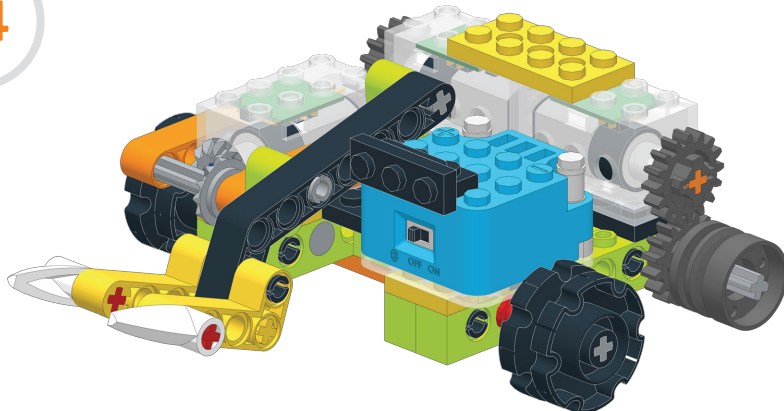
1



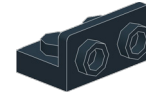
1



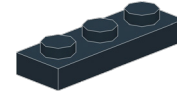
24



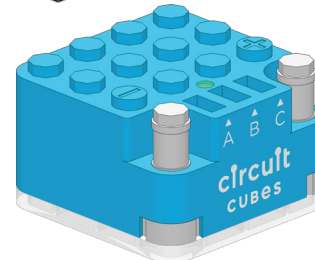
1



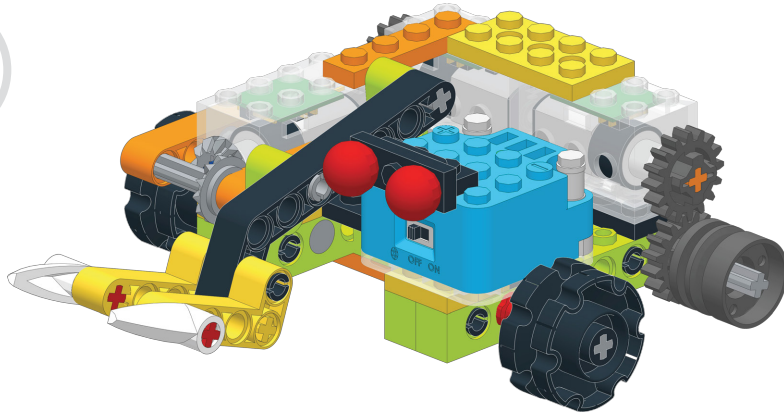
1



1



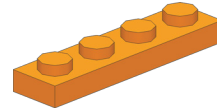
25



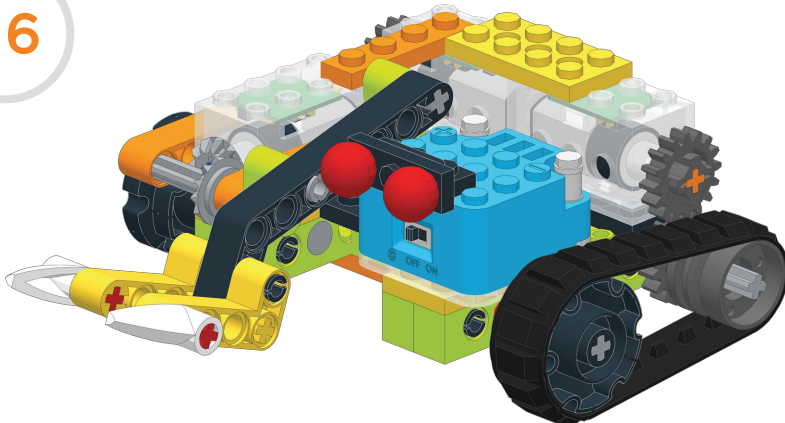
2



1



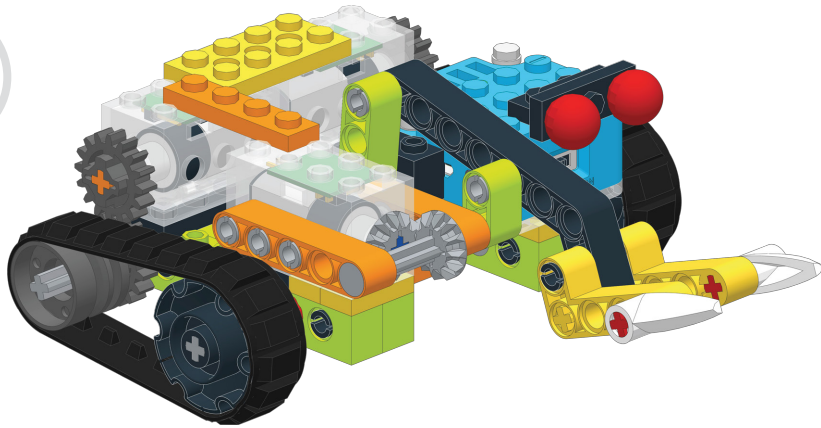
26



1



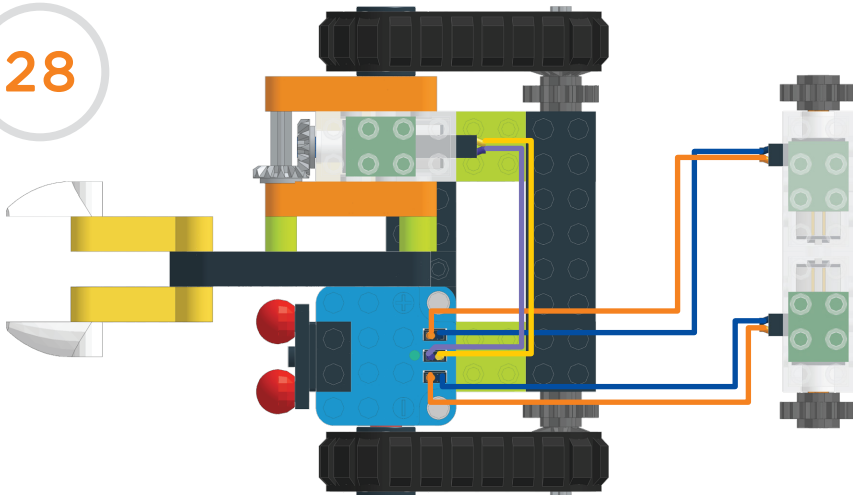
27



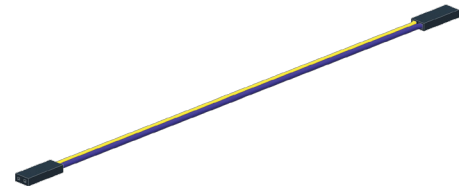
1



28



1



2



# XR-B1 CONTROLS

