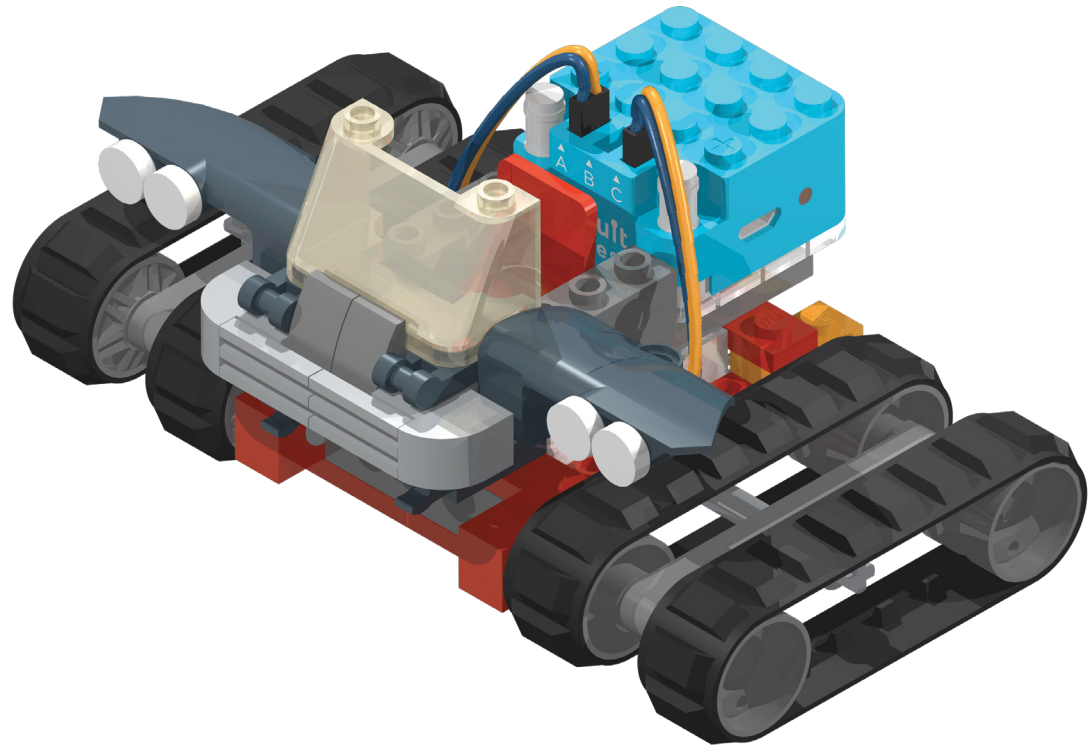
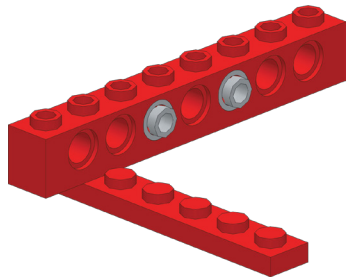
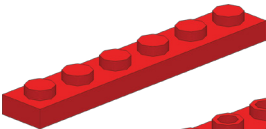
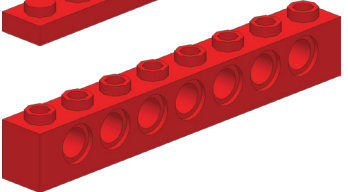



XV-B3



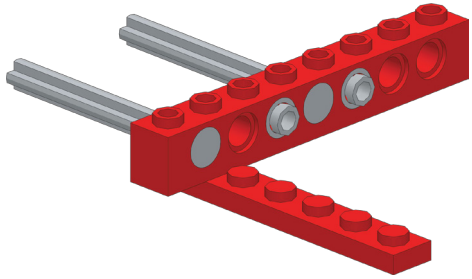
1

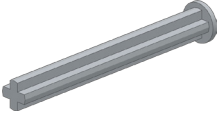



- 1 
- 1 
- 2 

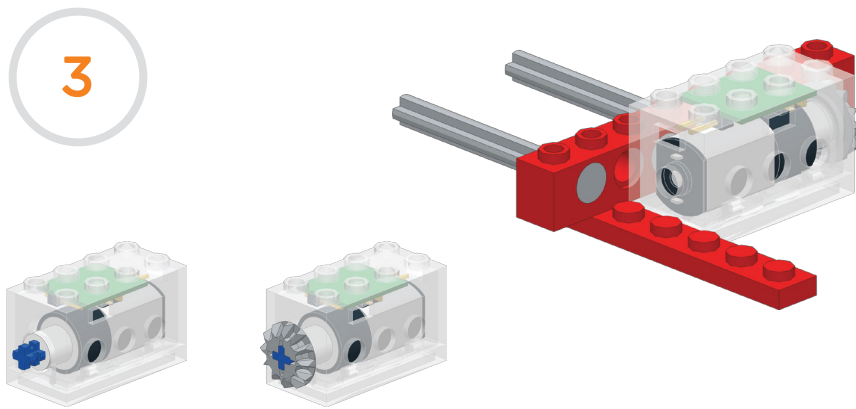


2

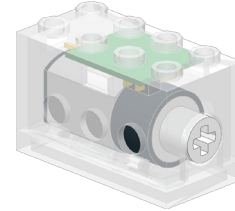


- 2 
- 5 

3



1



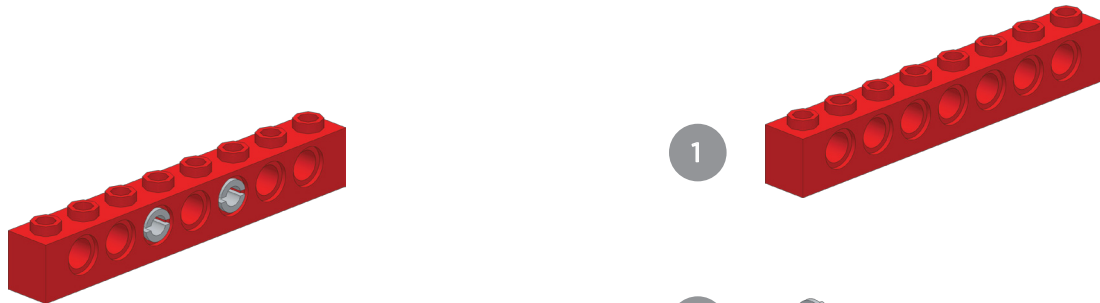
1



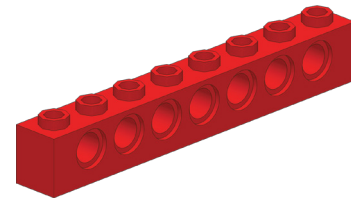
1



4



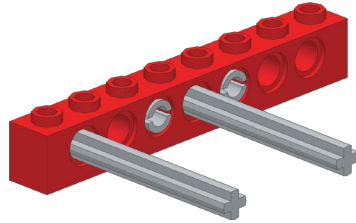
1



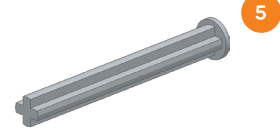
2



5



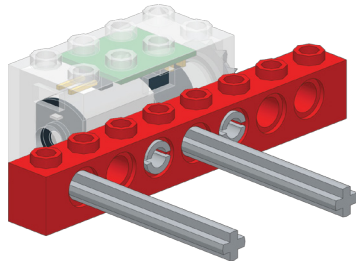
2



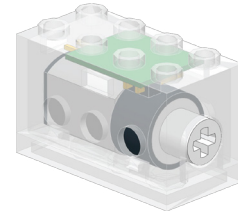
1:1 SCALE



6



1



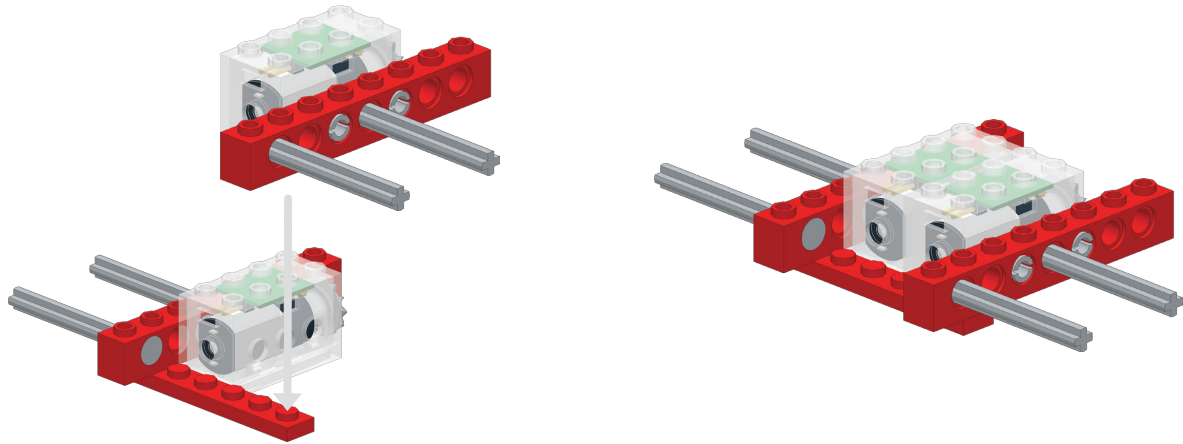
1



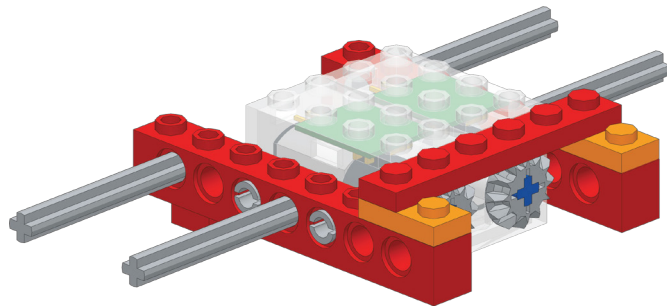
1



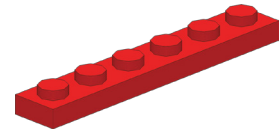
7



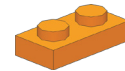
8



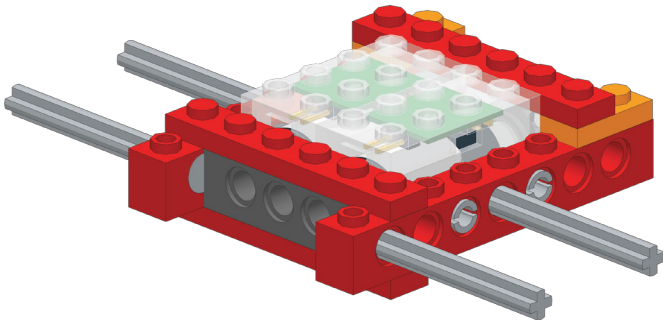
1



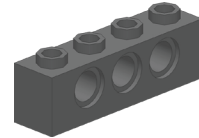
2



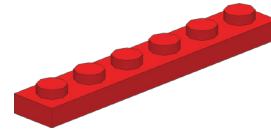
9



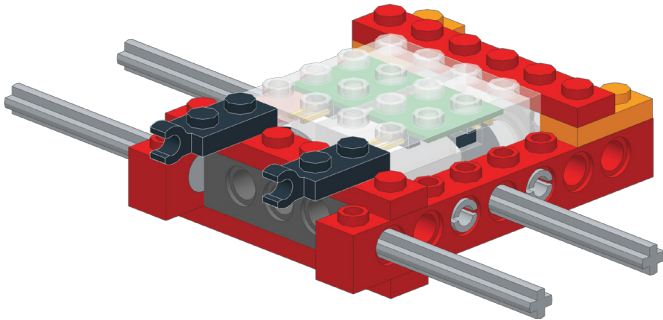
1



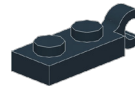
1



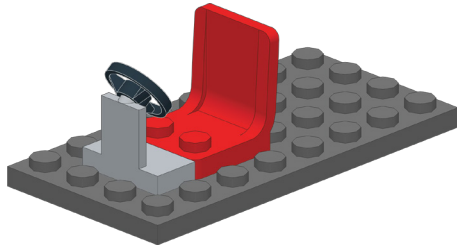
10

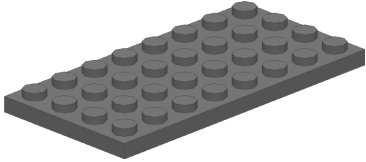

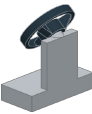


2

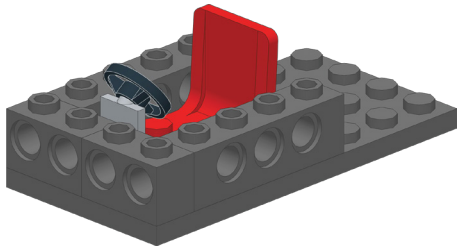


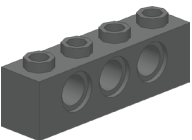
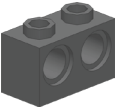
11



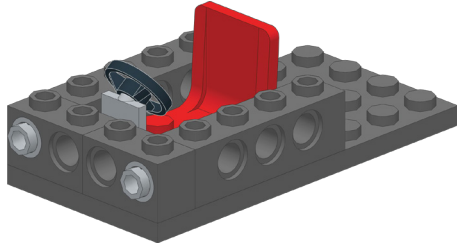
- 1 
- 1 
- 1 

12

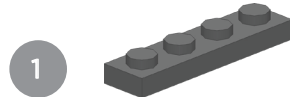
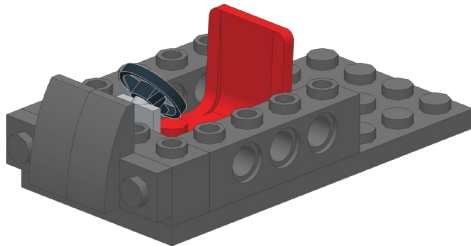


- 2 
- 2 

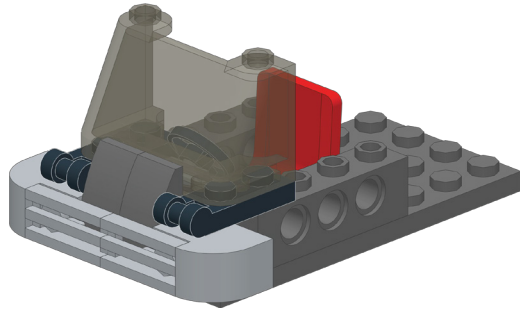
13

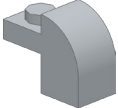
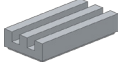
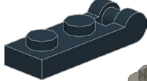
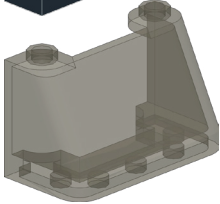


14

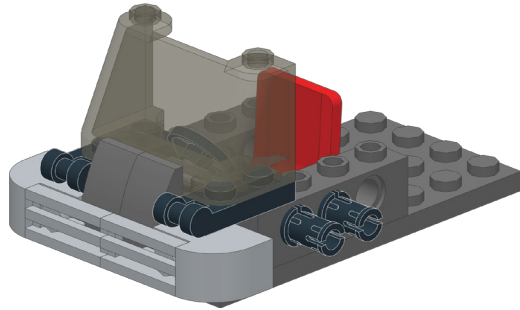


15



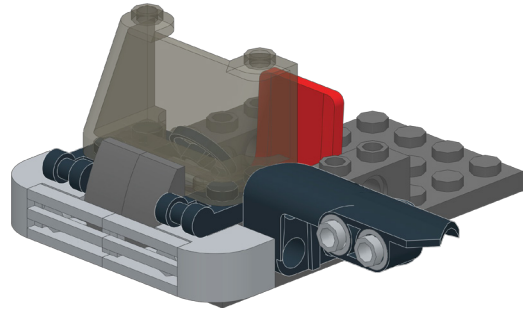
- 2 
- 2 
- 2 
- 1 



16



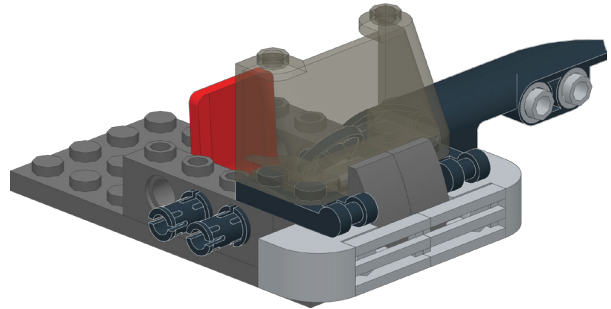
- 2 


17



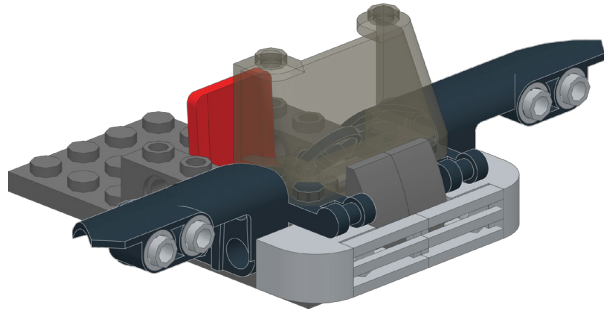
- 1 
- 2 

18

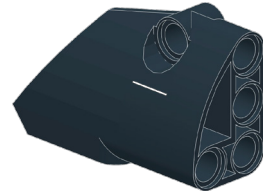


- 2 

19



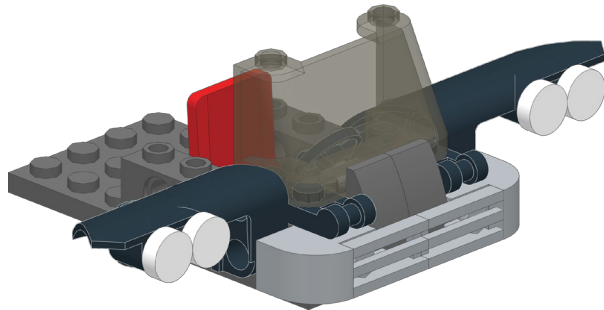
1



2



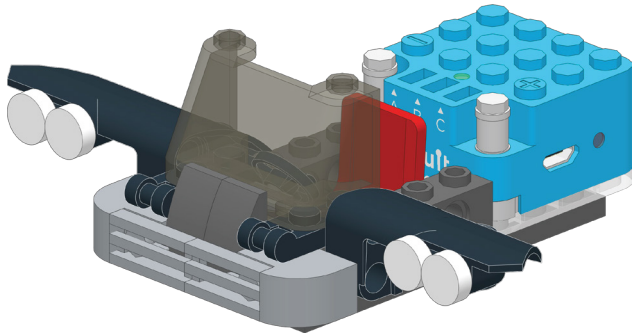
20



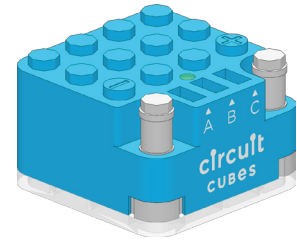
4



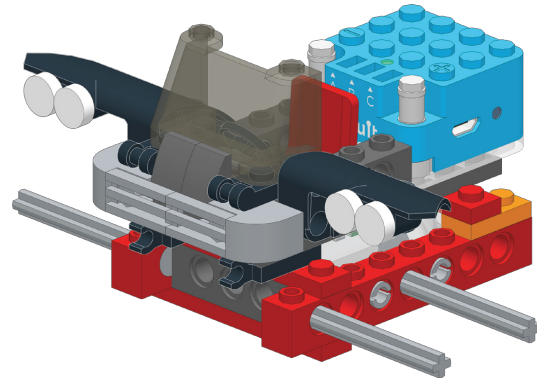
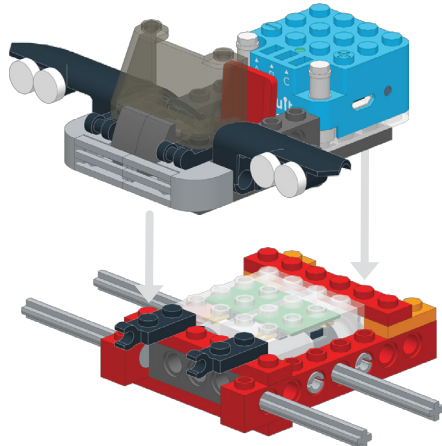
21



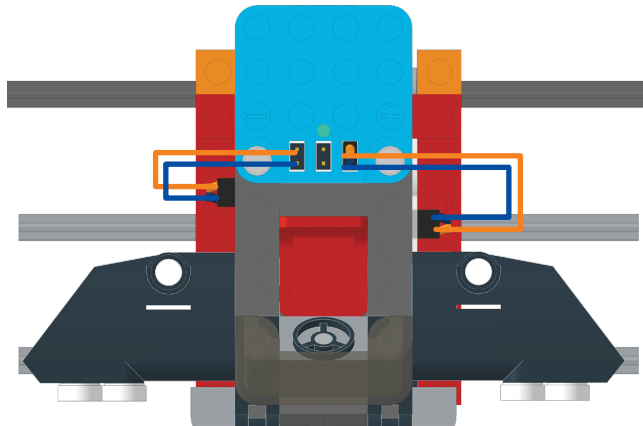
1



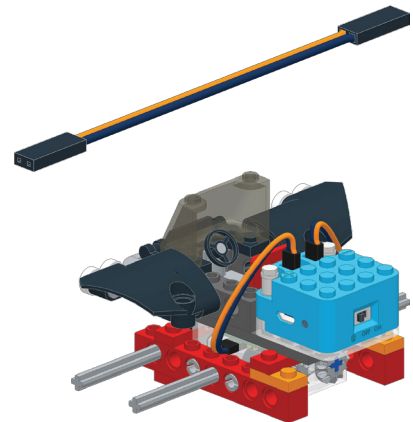
22



23

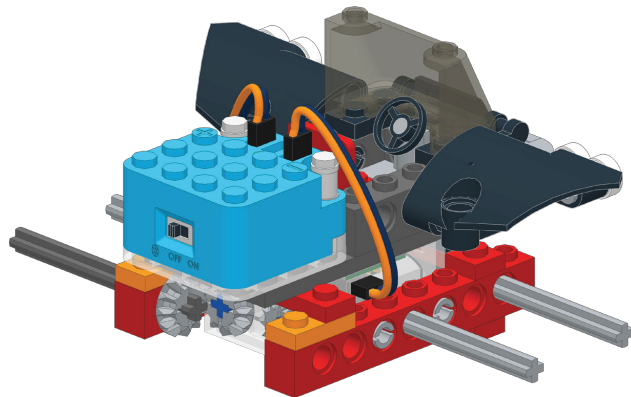


2



1:1 SCALE

24

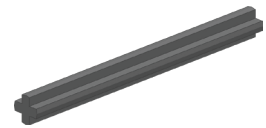


1

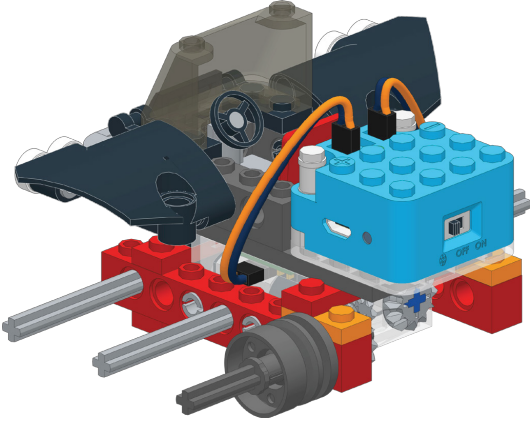


6

1



25



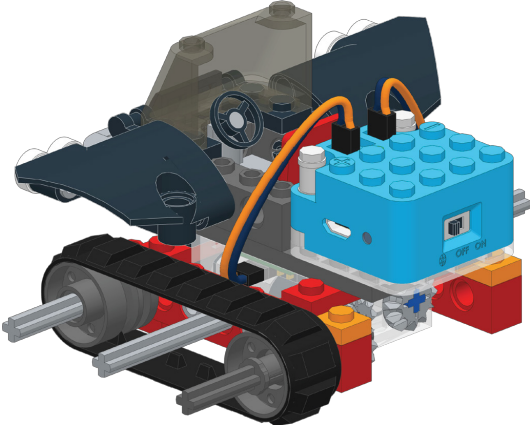
1



1



26



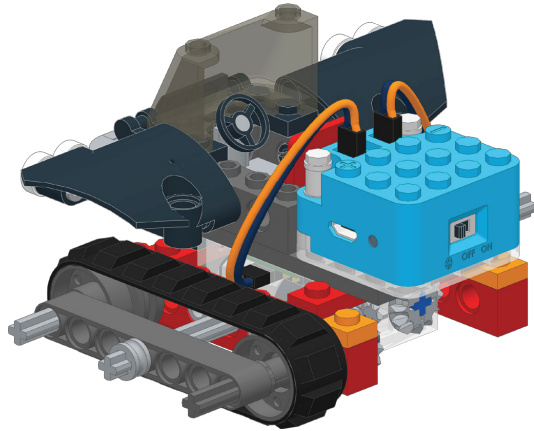
1



1



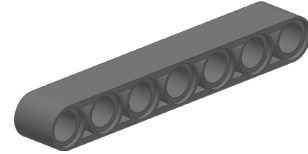
27



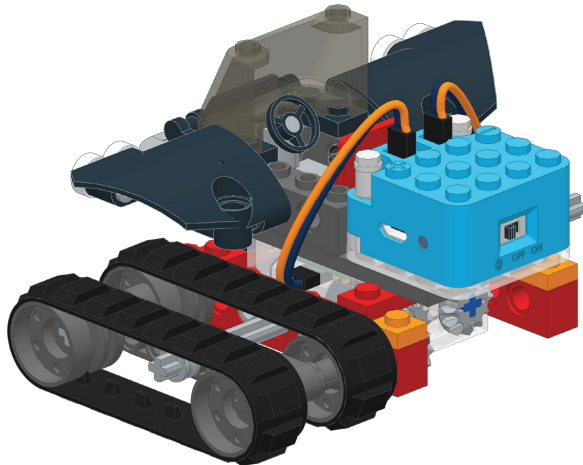
1



1



28



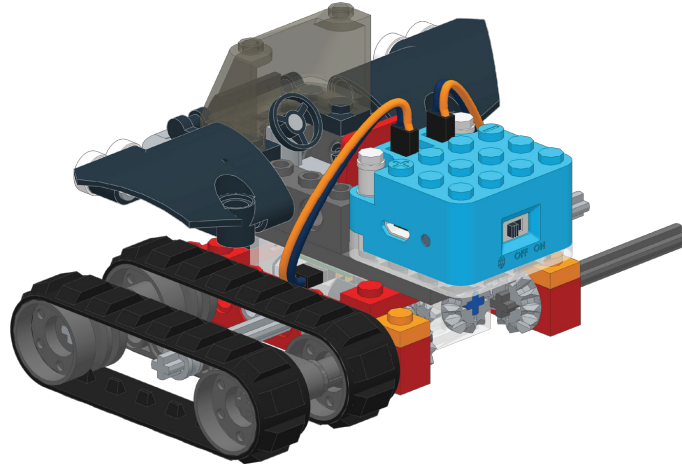
1



2



29

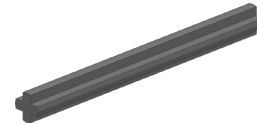


1



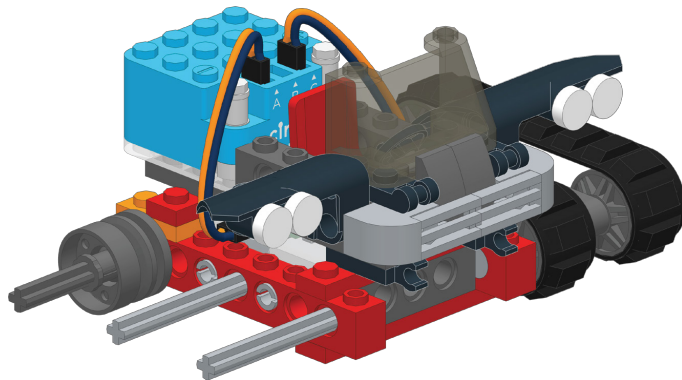
6

1



1:1 SCALE

30



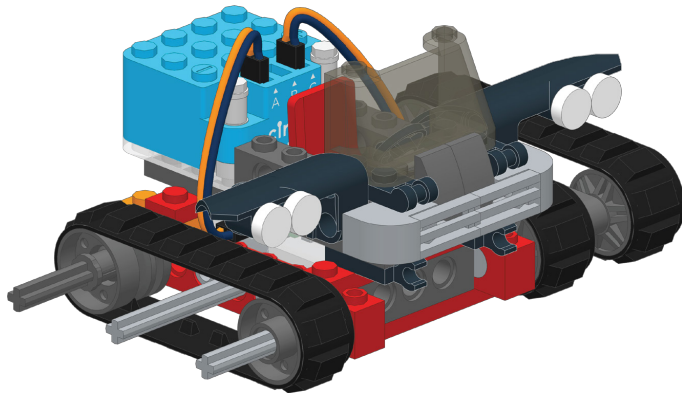
1



1



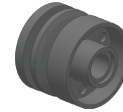
31



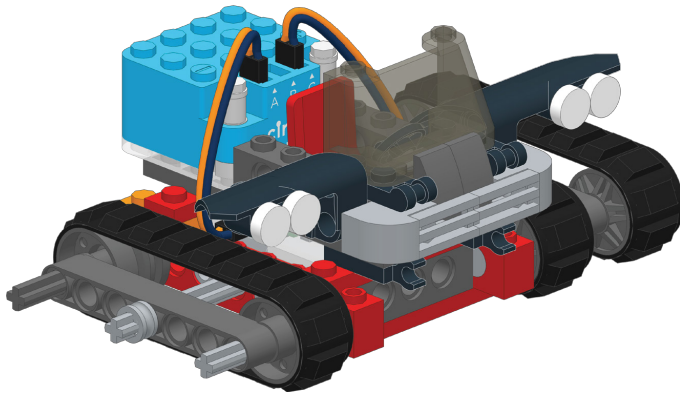
1



1



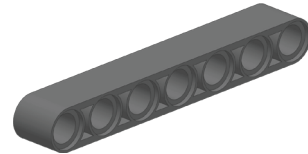
32



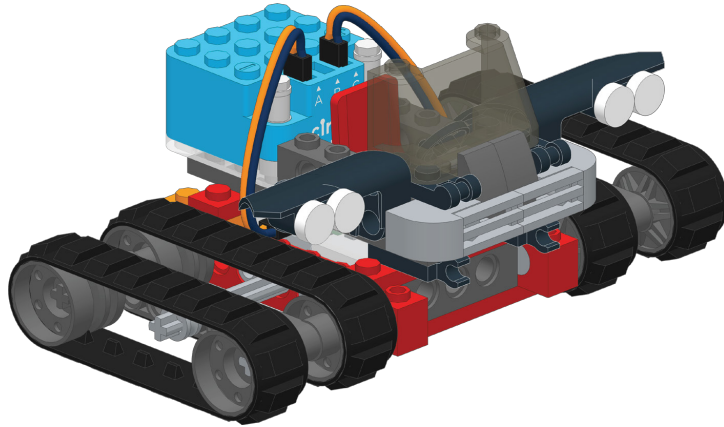
1



1



33



1



2



XV-B3 CONTROLS

