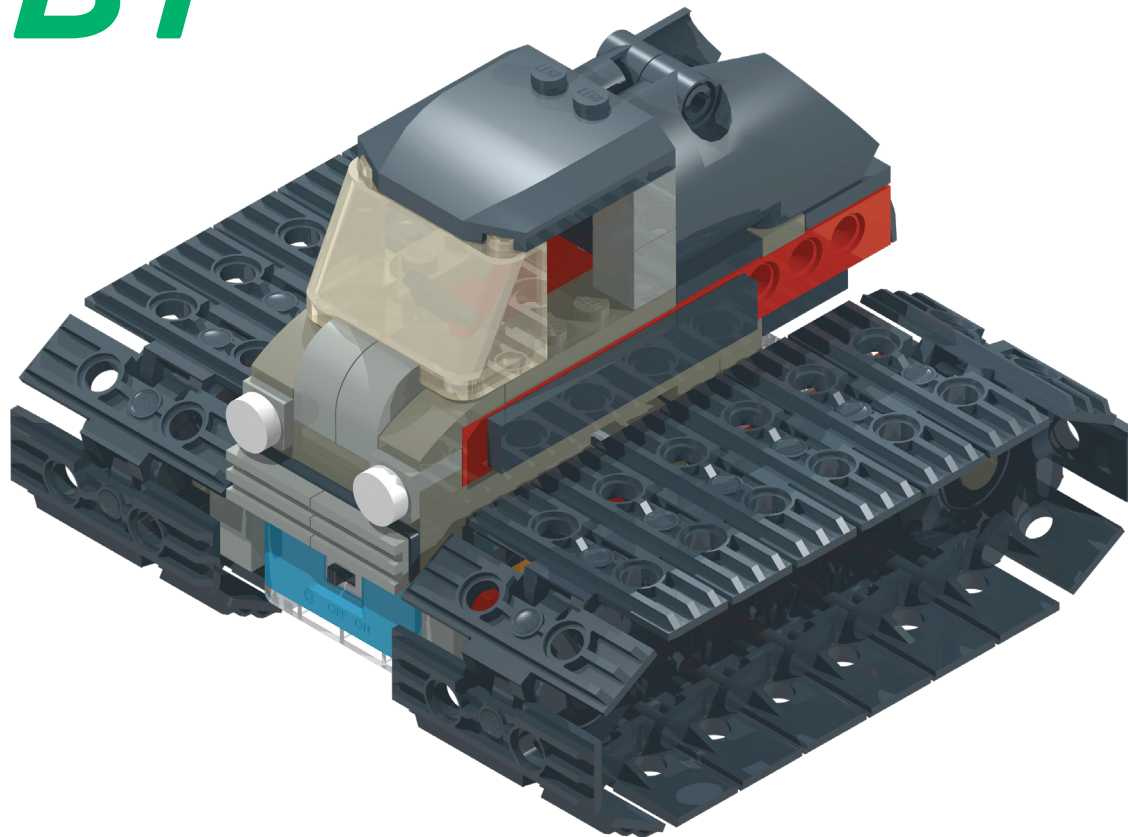
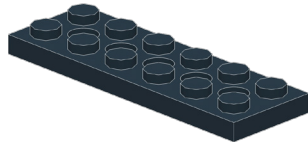


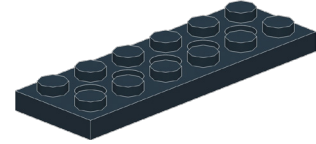
XV-B1



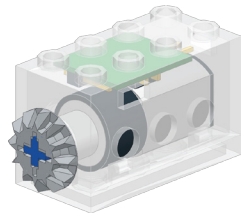
1



1

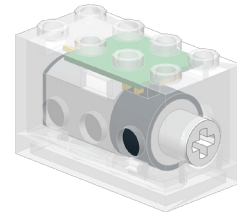


2



2x

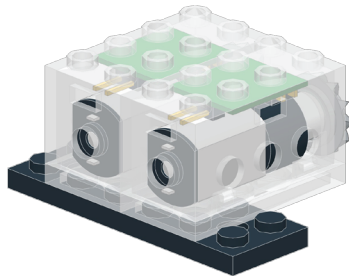
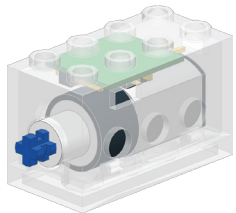
2



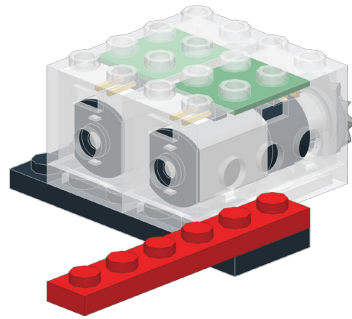
2



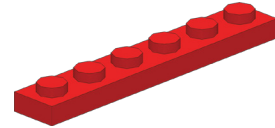
2



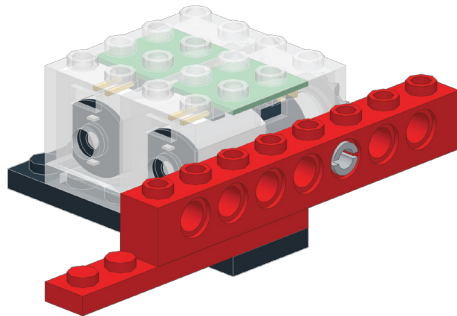
3



1



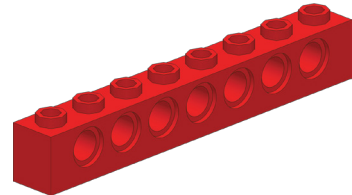
4



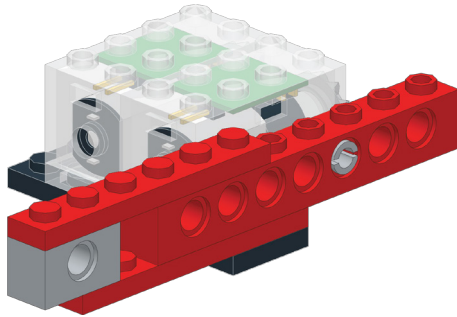
1



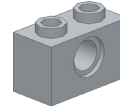
1



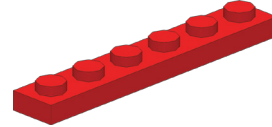
5



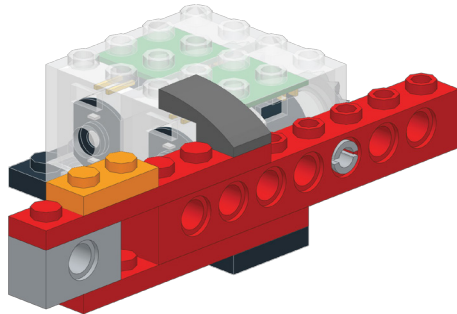
1



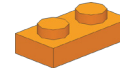
1



6



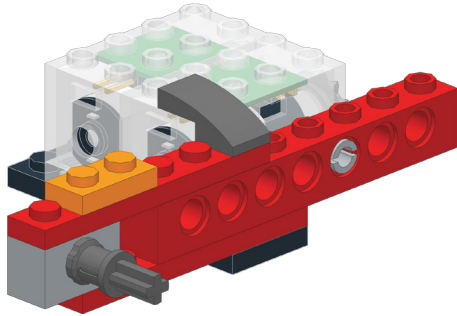
1



1



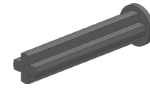
7



1



1

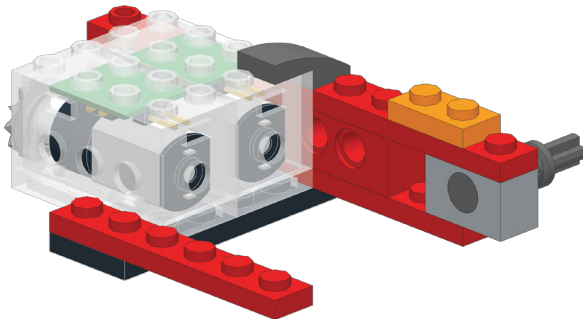


3

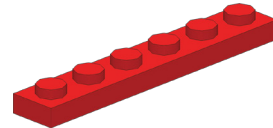
1:1 SCALE



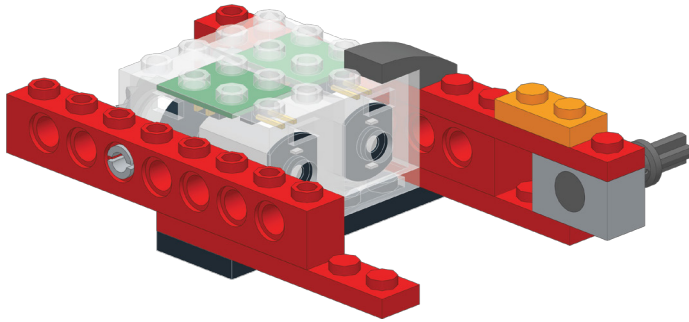
8



1



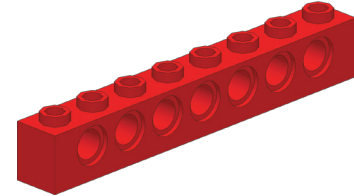
9



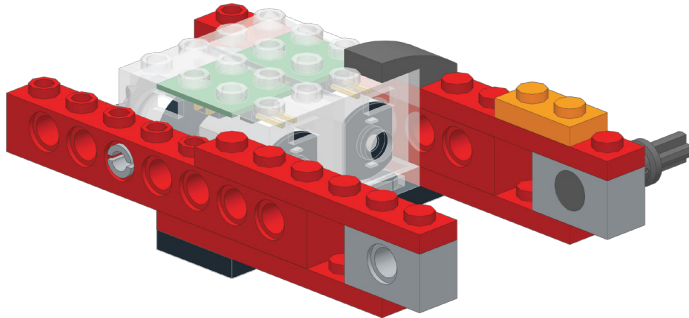
1



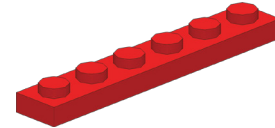
1



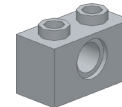
10



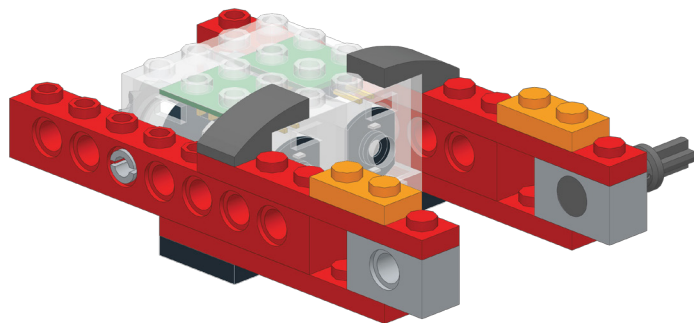
1



1



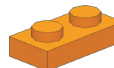
11



1



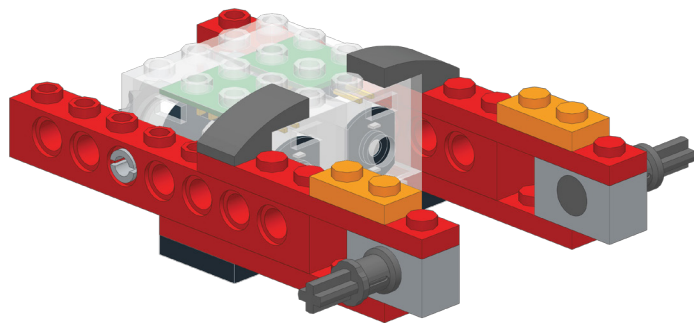
1



1:1 SCALE



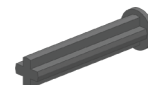
12



1

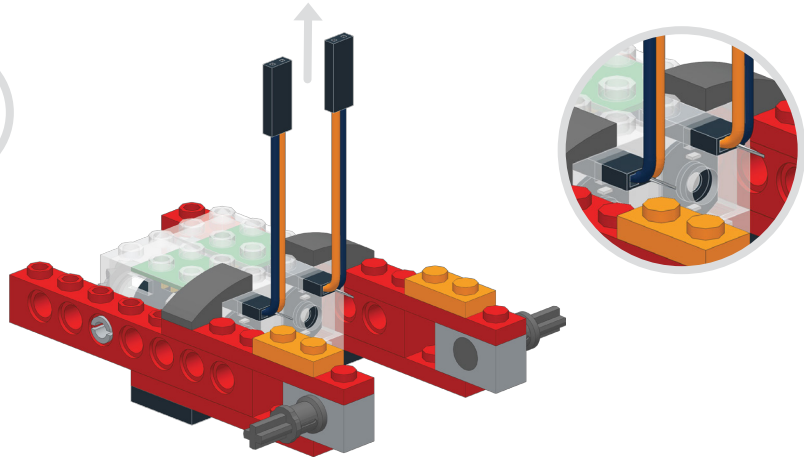


1



3

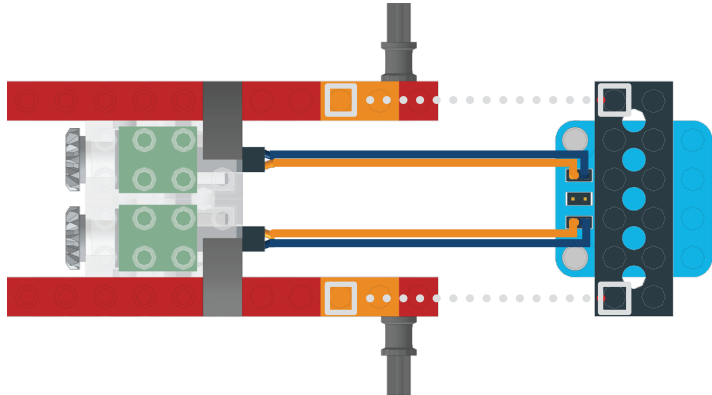
13



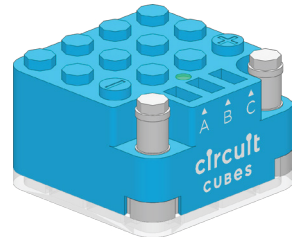
2



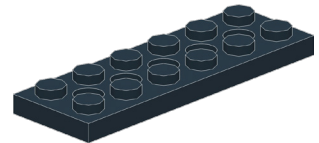
14



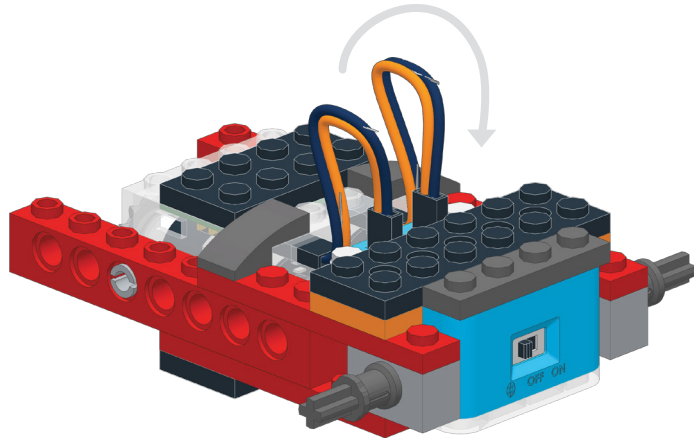
1



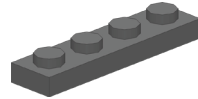
1



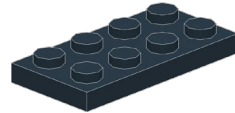
15



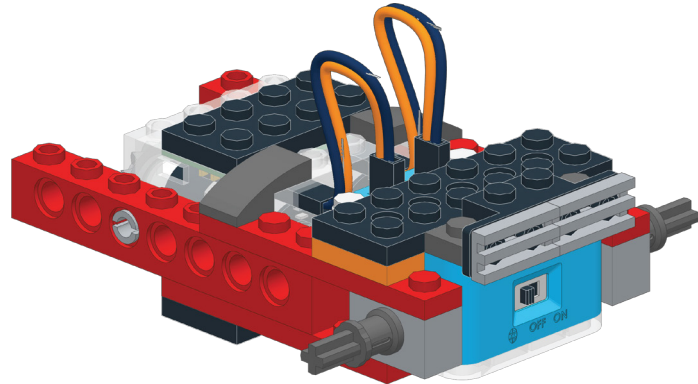
1



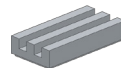
1



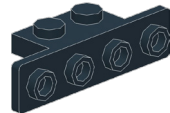
16



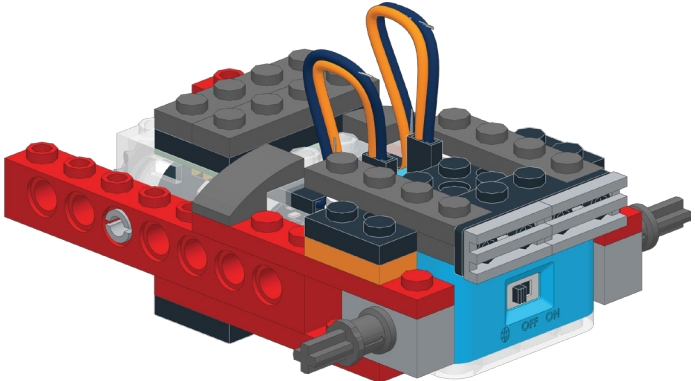
2



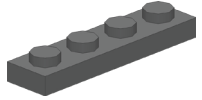
1



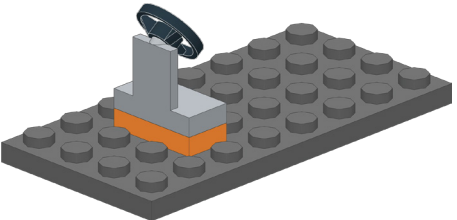
17



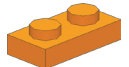
4



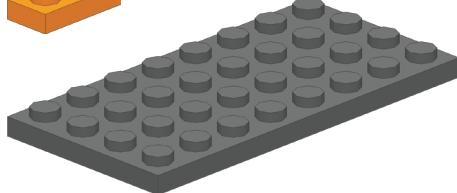
18



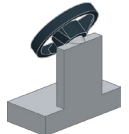
1



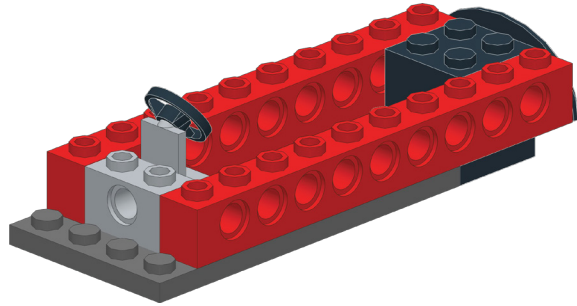
1

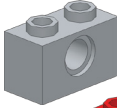
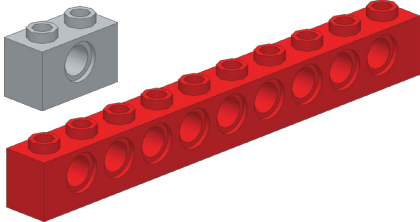
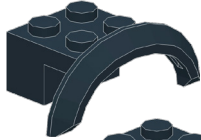
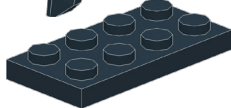


1

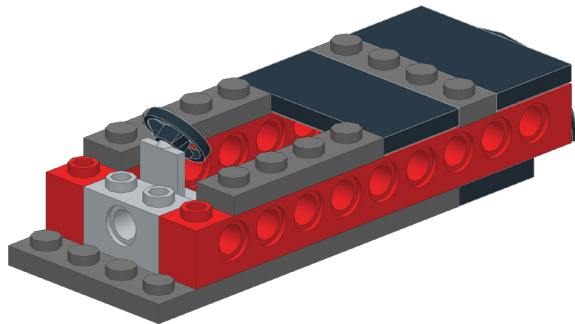


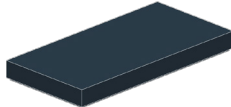
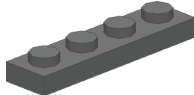
19



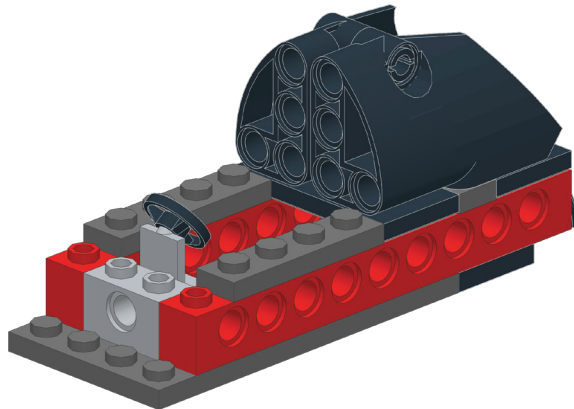
- 1 
- 2 
- 1 
- 1 

20



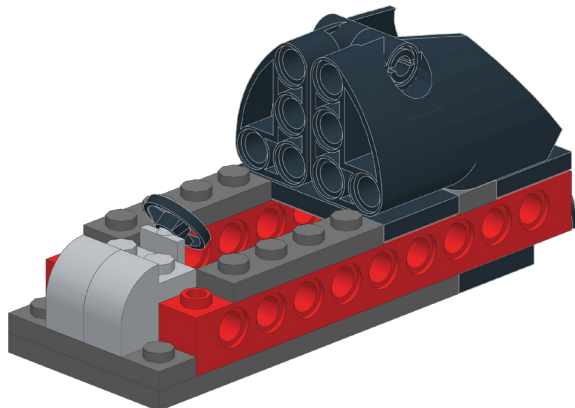
- 2 
- 3 

21



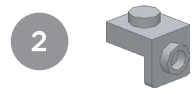
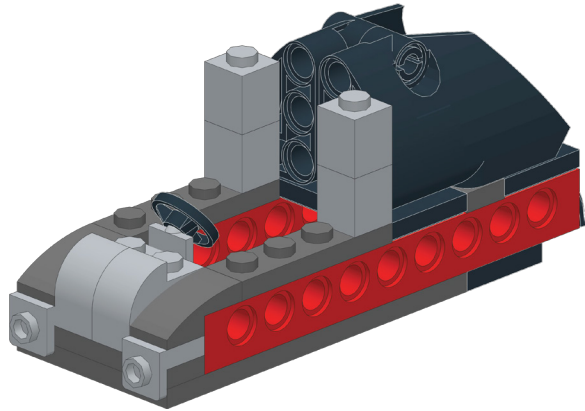
- 1
- 1
- 1

22

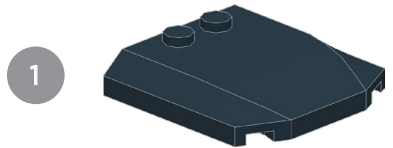
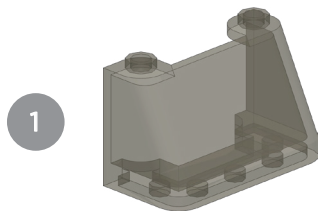
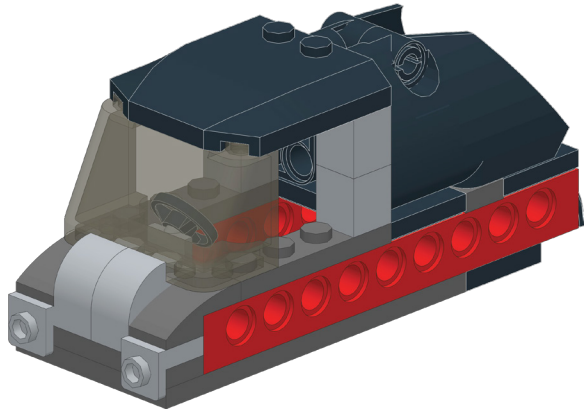


- 1
- 2

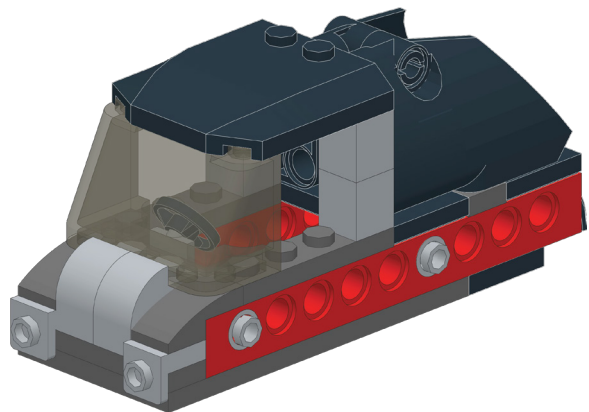
23



24



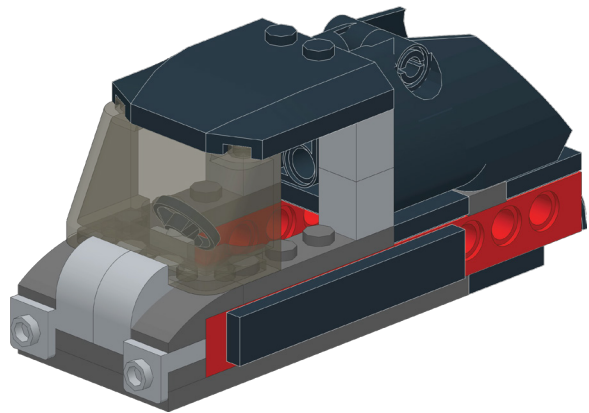
25



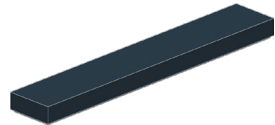
2



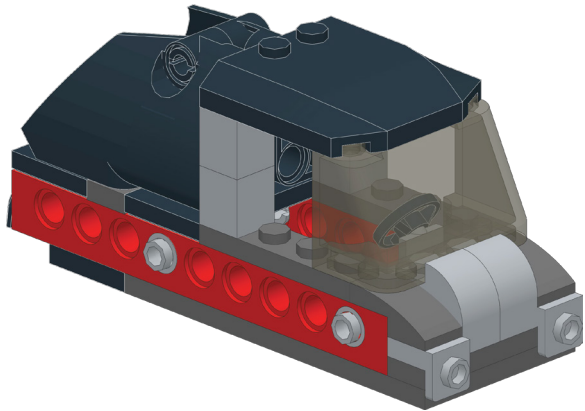
26



1



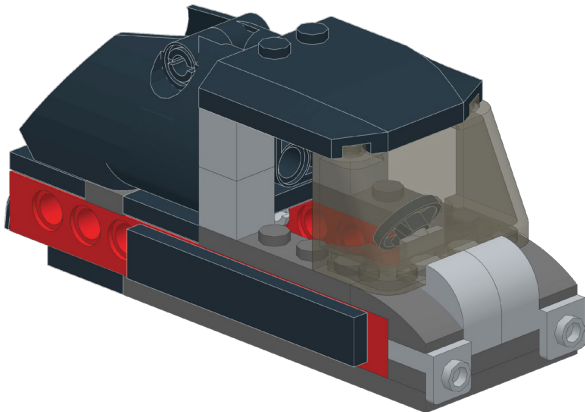
27



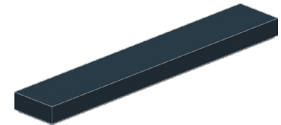
2



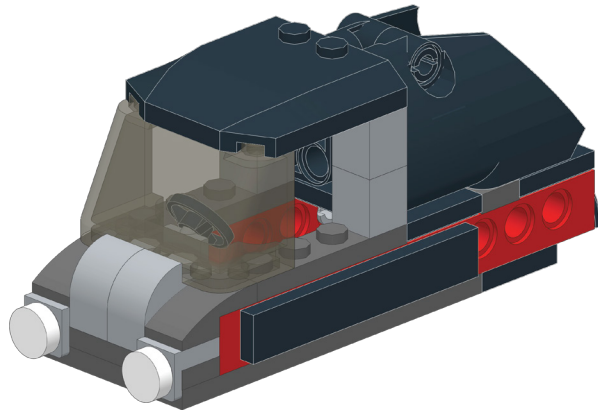
28



1



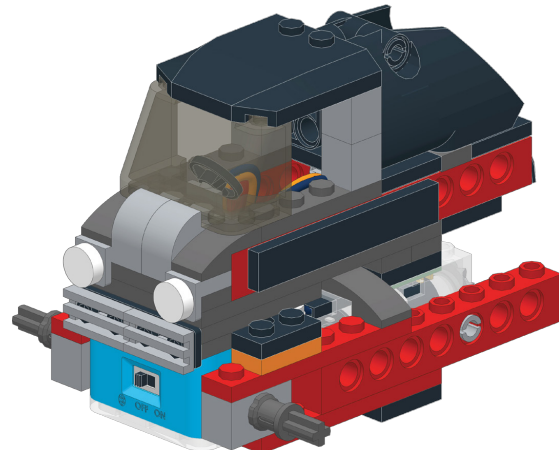
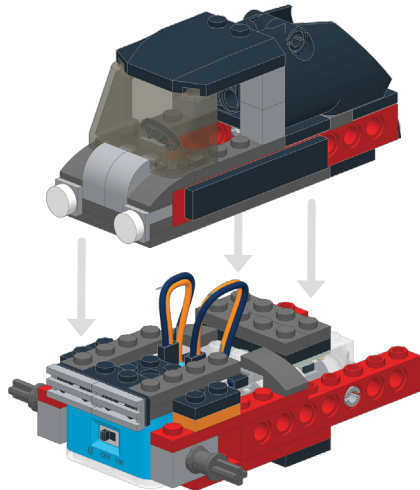
29



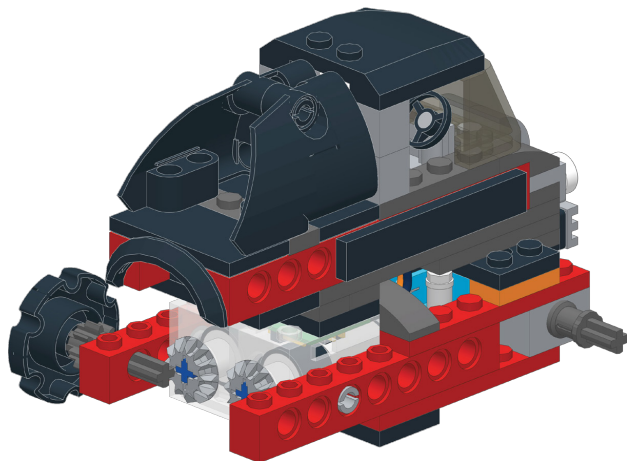
2



30



31

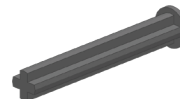


1



4

1



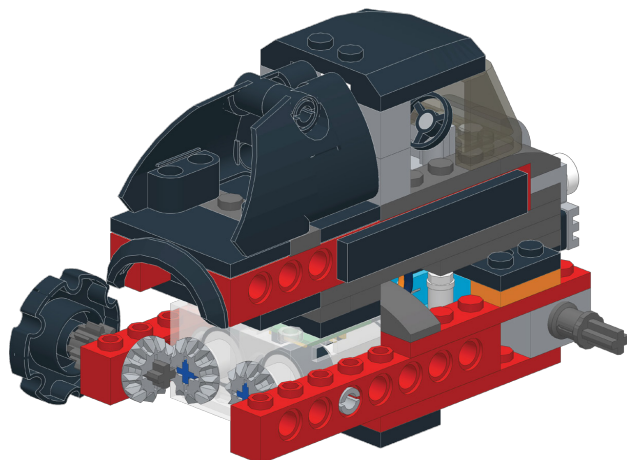
1



1:1 SCALE



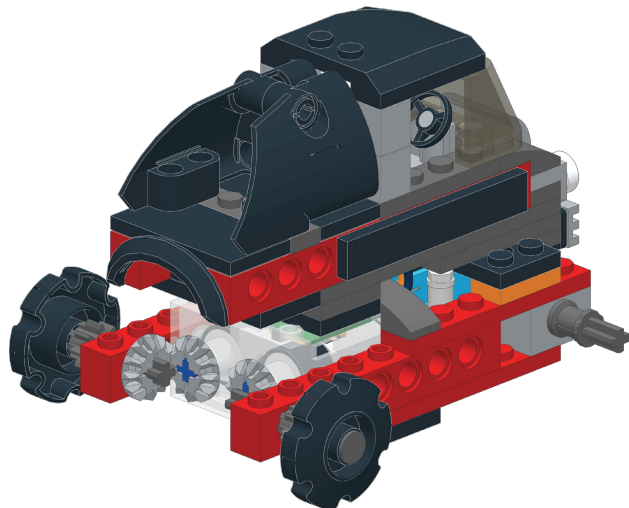
32



1



33

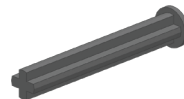


1



4

1



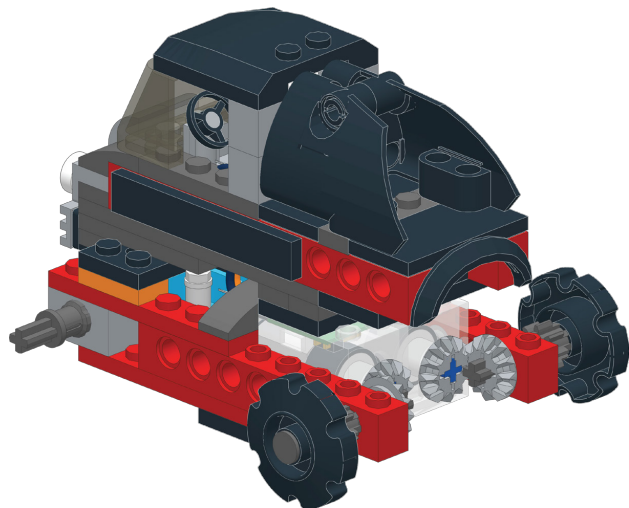
1



1:1 SCALE



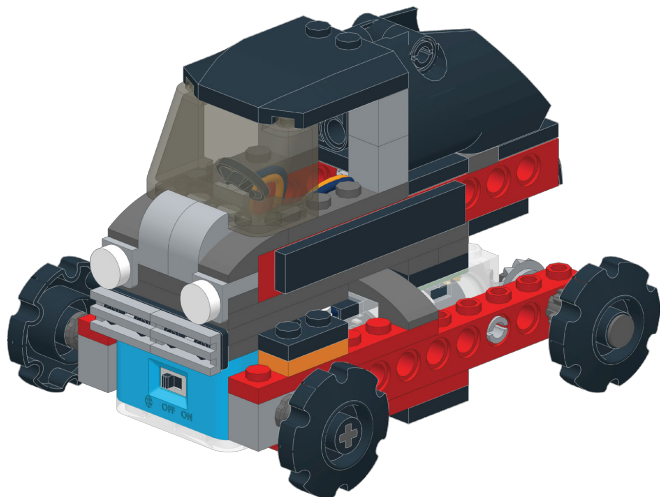
34



1



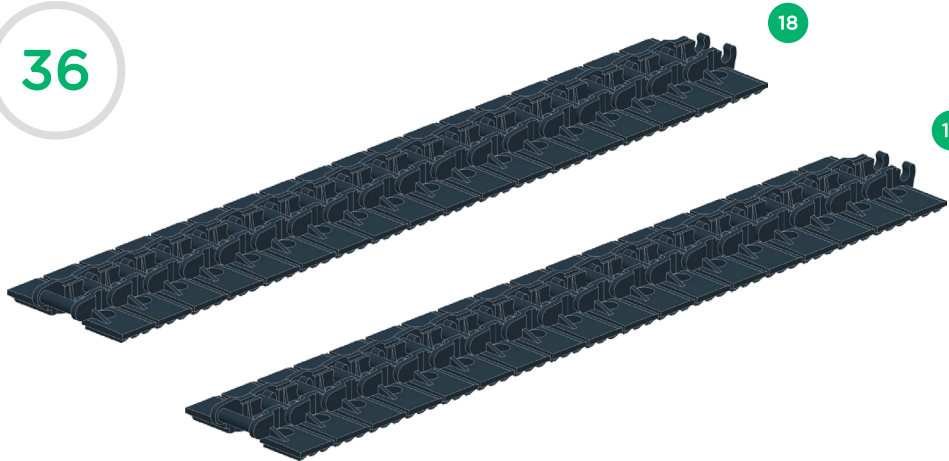
35



2



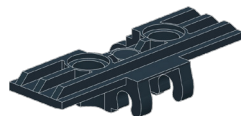
36



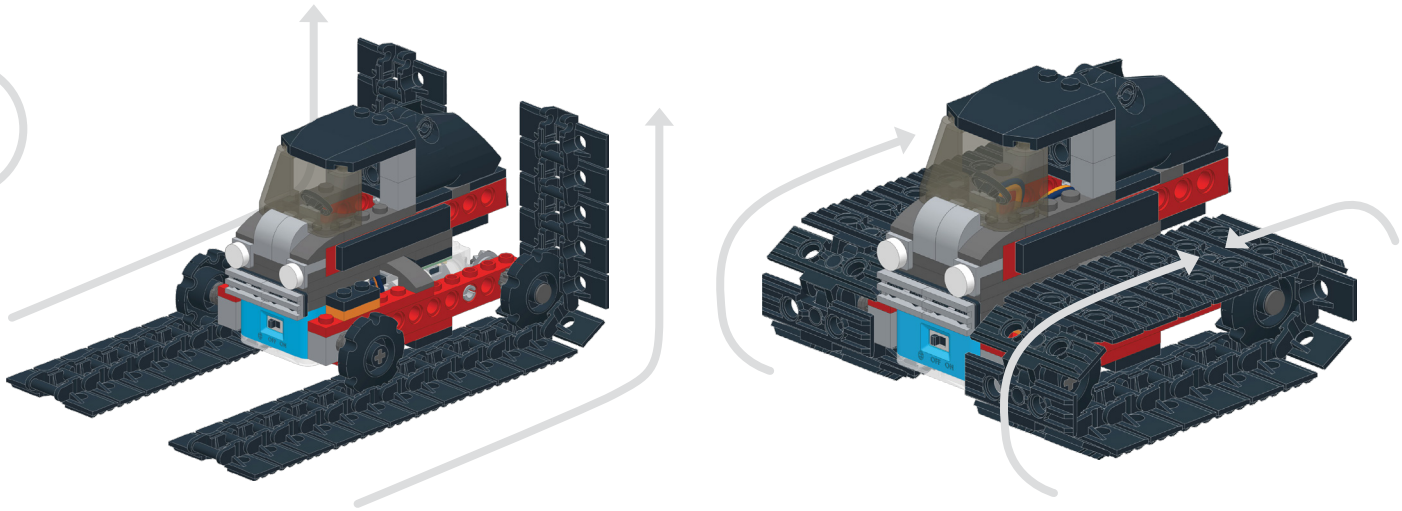
18

18

36



37



XV-B1 CONTROLS

