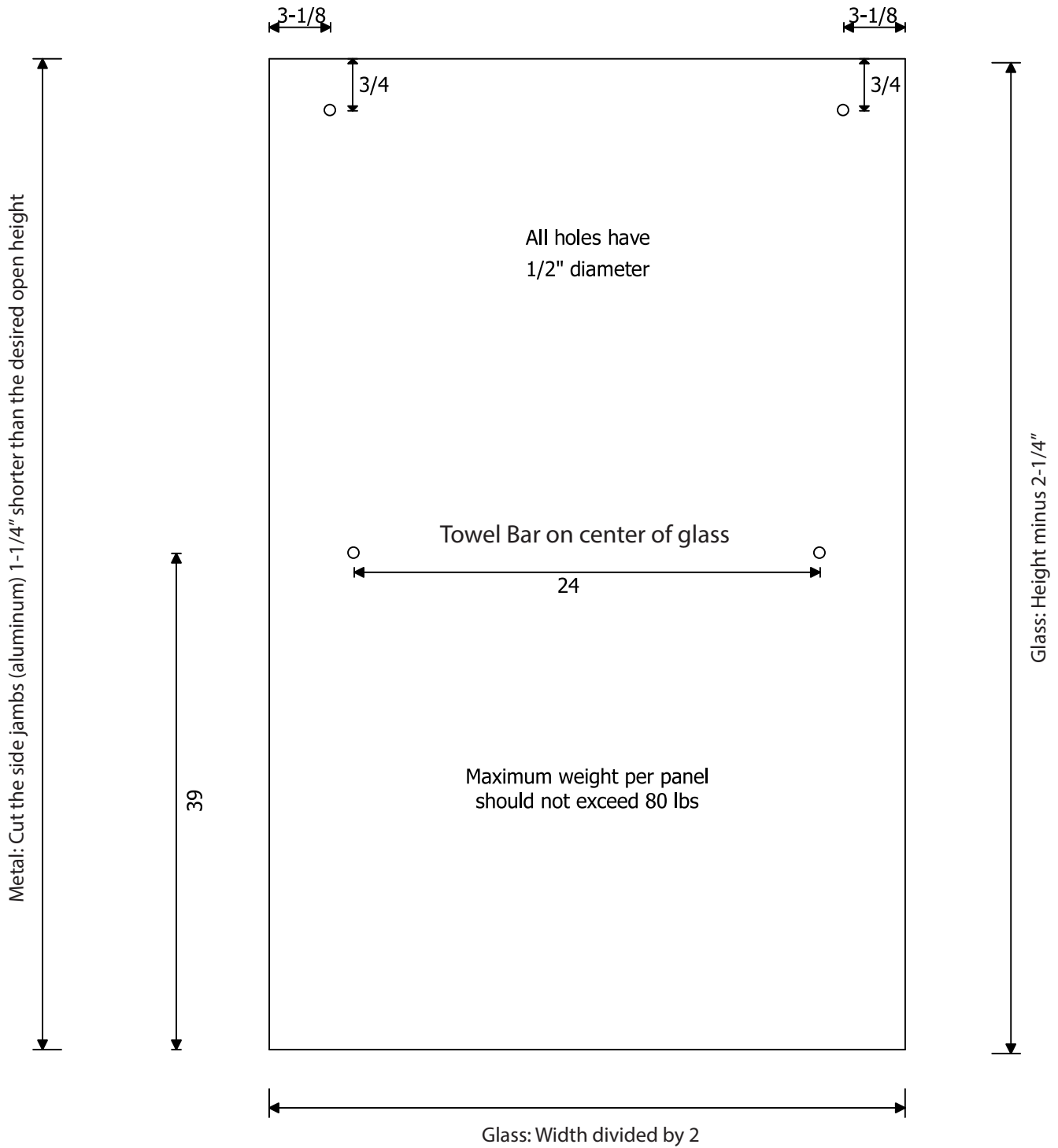


## KD Bypass Template for 3/8" Tempered Glass



## Model Number \_\_\_\_\_

Customer, Please record your model number here.

The model number is found on the label, located on the front panel of the box .It is very important to record your model number. This information is necessary when contacting us Please retain this manual for future reference. A list of repair parts is included.

## Care and Cleaning

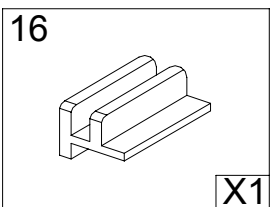
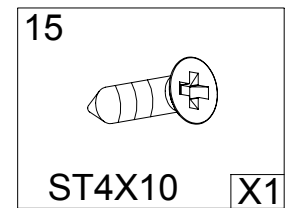
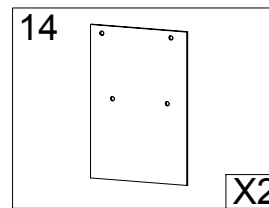
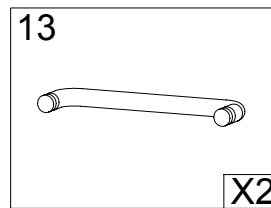
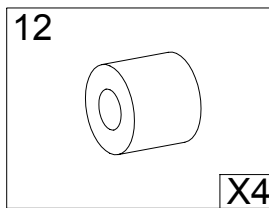
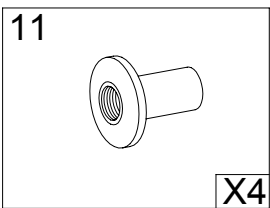
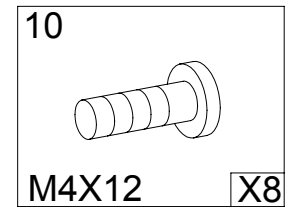
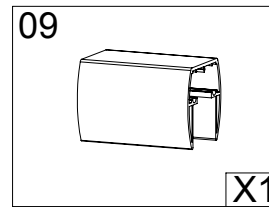
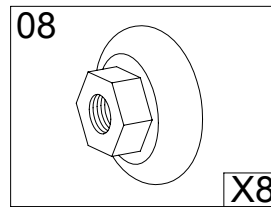
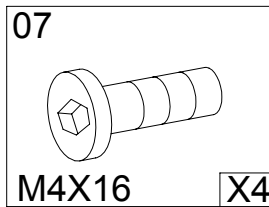
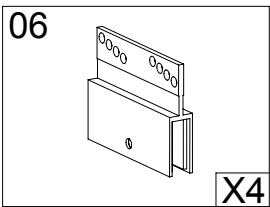
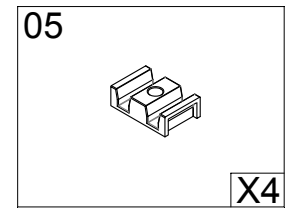
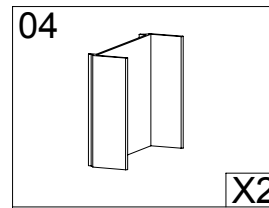
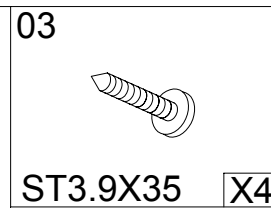
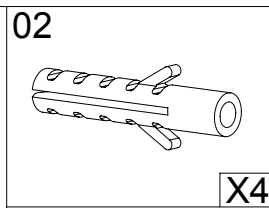
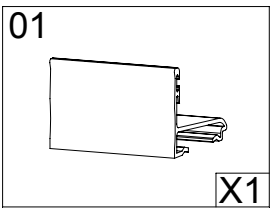
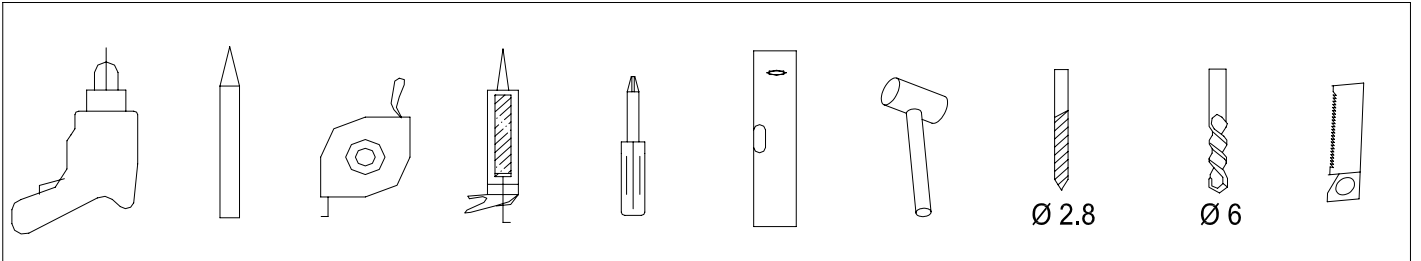
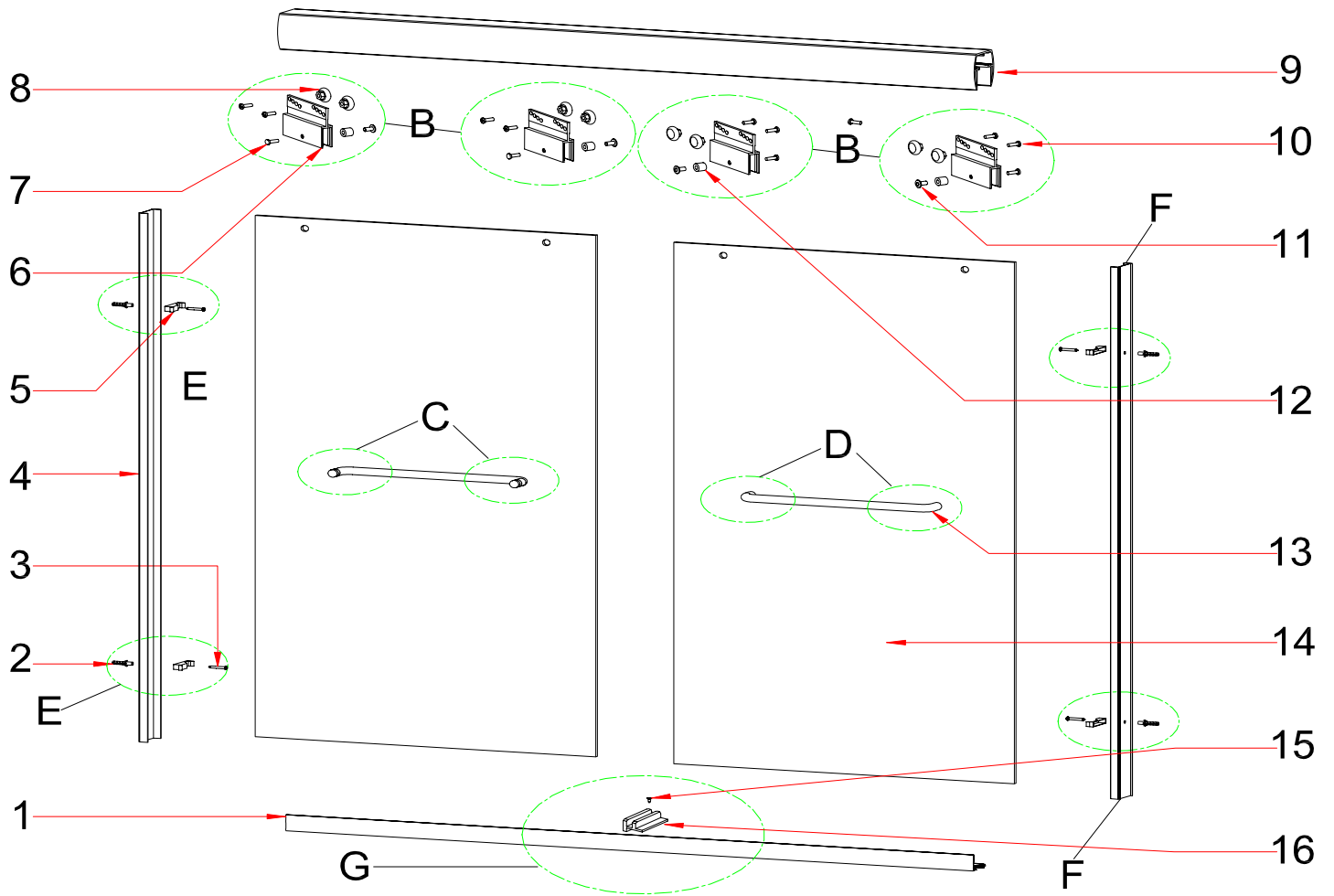
The manufacturer suggests using only mild detergents or warm soapy water applied with soft cloth for regular cleaning. Always rinse well after cleaning and dry by blotting with a damp cloth or chamois. The use of scouring pads, gritty cloth and harsh abrasive cleaners should always be avoided

## Limited 1 year (One Year) Warranty

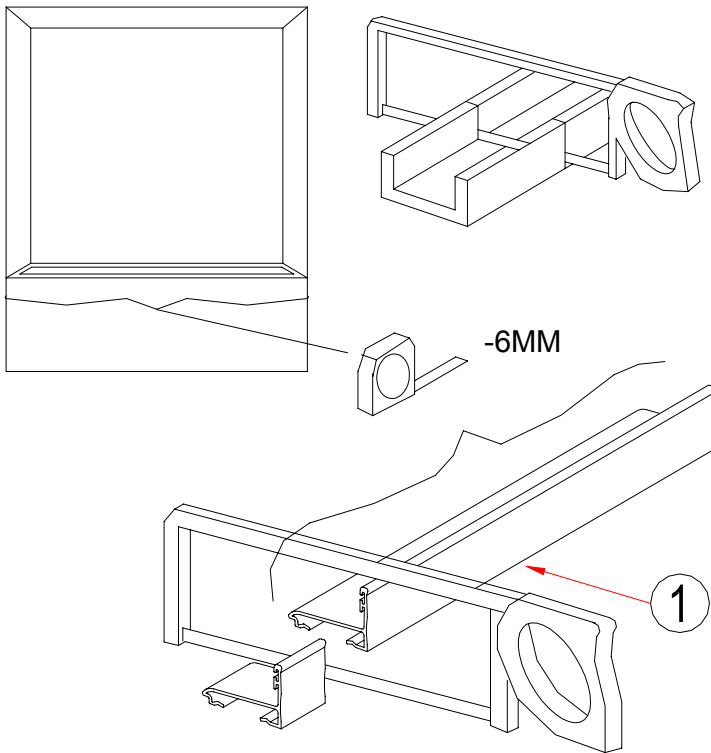
The manufacturer warrants to the original consumer purchaser that its products will be free of defects in materials and workmanship, subject to the limitations, exclusions and conditions that follow, from date of original purchase as shown on purchaser's receipt. The manufacturer will, at its discretion replace or repair FREE OF CHARGE, during the warranty period, any part which the manufacturer determines to be defective in material and/or workmanship under normal installation, use and service. The original consumer purchaser must notify the manufacturer in writing of any defect covered by the warranty at the address listed THIS WARRANTY IS THE ONLY EXPRESS WARRANTY MADE BY THE MANUFACTURER, ANY CLAIMS MADE UNDER THIS WARRANTY MUST BE MADE DURING THE PERIOD REFERRED TO ABOVE .ANY IMPLIED WARRANTY OF MERCHANTABILITY OR FITNESS FORA PARTICULAR PURPOSE IS LIMITED IN DURATION TO THE DURATION OF THIS WARRANTY. LABOR CHARGES AND/OR DAMAGE INCURRED IN INSTALLATION, REPAIR OR REPLACEMENT AS WELL AS INCIDENTALAND CONSEQUENTIAL DAMAGES CONNECTED THERE WITH ARE EXCLUDED AND WILL NOT BEPAID BYTHE MANUFACTURER. Some states do not allow limitations on how long an implied warranty lasts, or the exclusion or limitation of incidental or consequential damages, so the above limitations or exclusions may not apply to you. This warranty gives you specific legal rights ,and you may also have other rights which vary form state to state .This warranty is void for any damage to this product due to misuse, abuse, neglect, accident, improper installation, modification, unauthorized repair ,or any use violative of instructions.

## Packing List

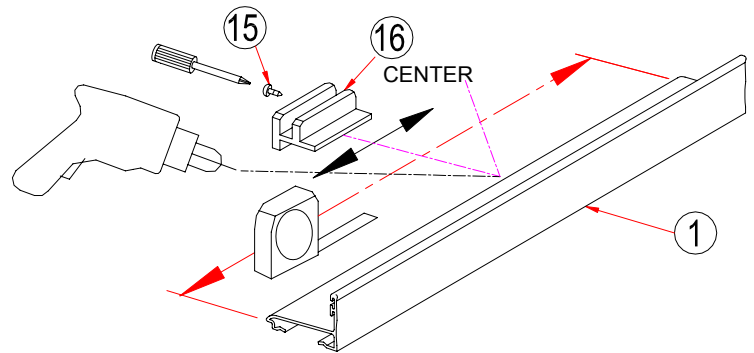
1	Bottom track – 1pc	9	Top track – 1pc
2	Swelling grain – 4pcs	10	M4 X 12 screw – 8pcs
3	ST 3.9 X 35 screw – 4pcs	11	Aluminums nut– 4pcs
4	Wall jamb – 2pcs	12	Plastic cover – 1pc
5	Bumper – 4pcs	13	Towel rail- 2pcs
6	Wheel clamp– 4pcs	14	Glass door – 2pcs
7	M4 X 16 screw – 4pcs	15	ST 4X10 screw – 1pc
8	wheel – 8pcs	16	Bumpuer Guide – 1pc



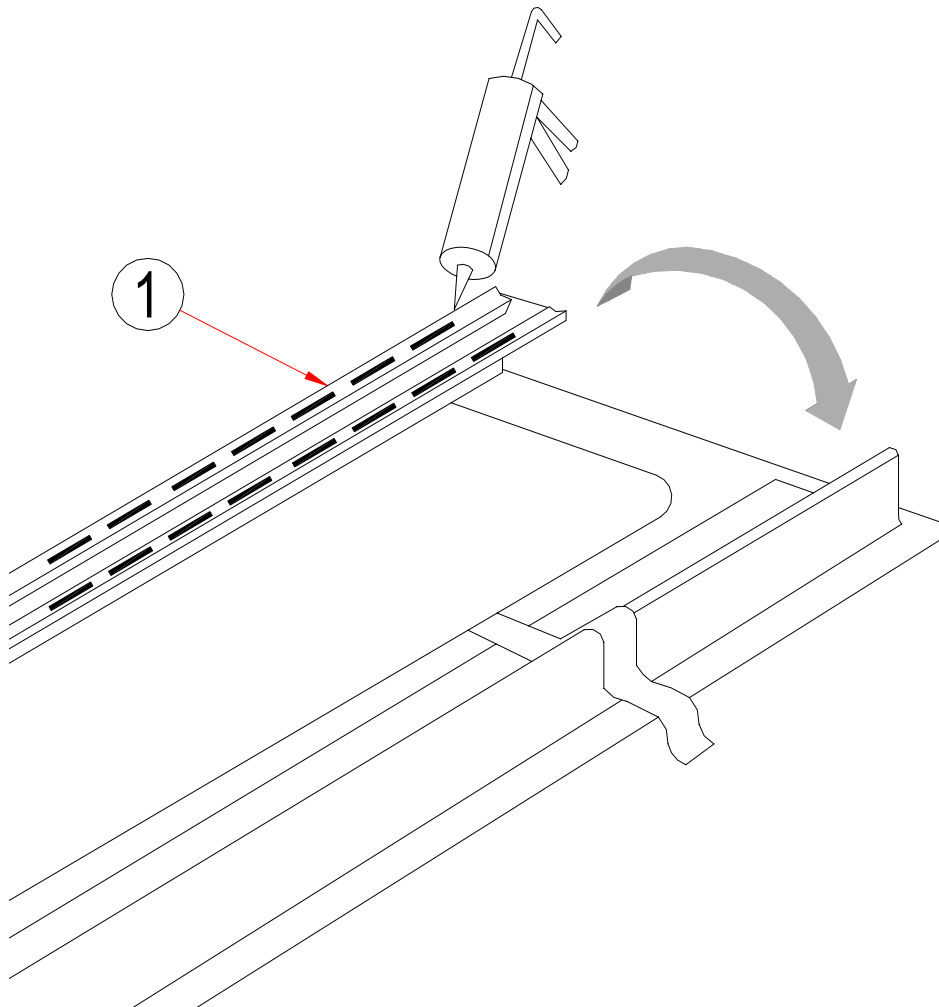
1. Cut the bottom track (1) 1/8" (3mm) shorter than the opening. Place heavy blanket or quilt in shower area to protect shower floor.



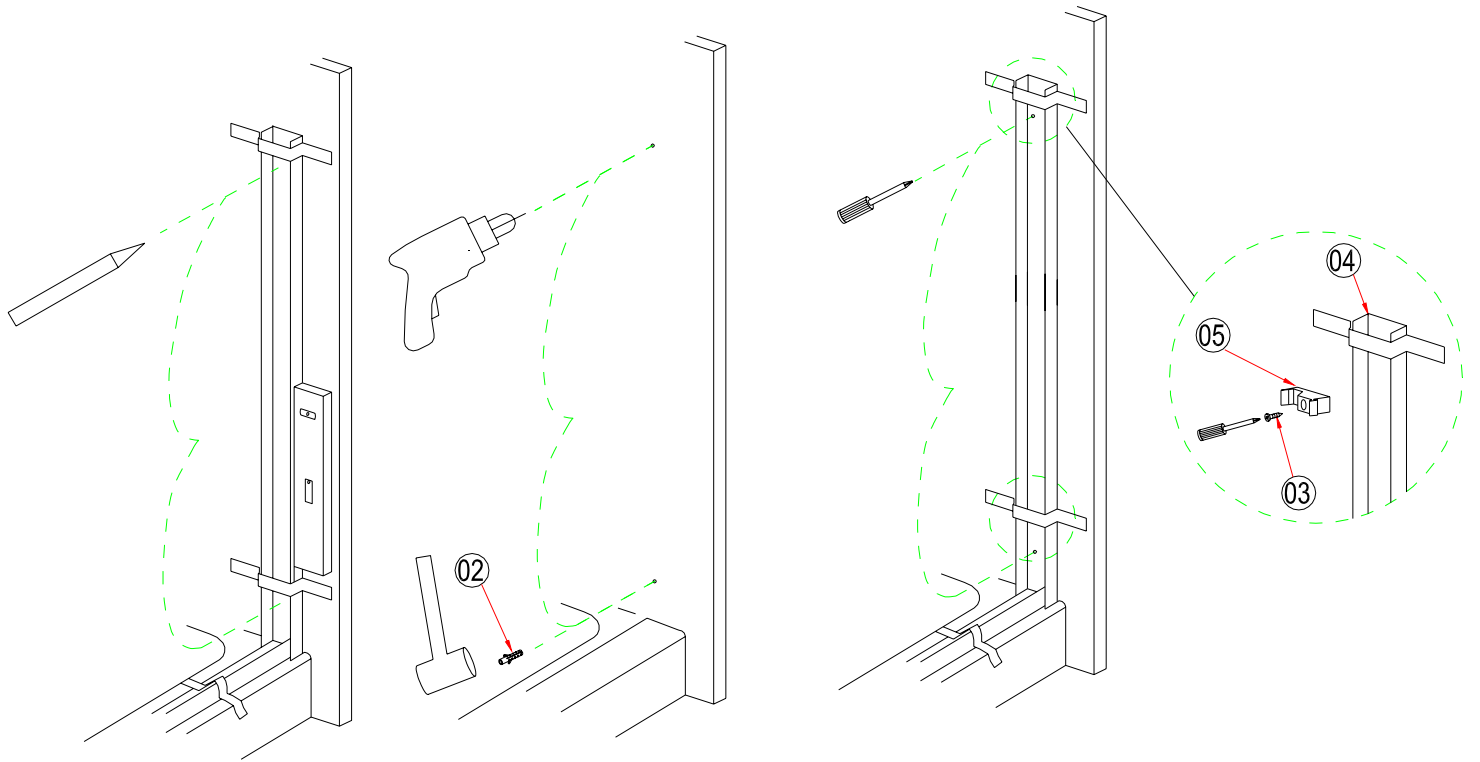
2. Install bottom guide (16) in center of bottom track (1). Then remove the bottom guide to install glass.



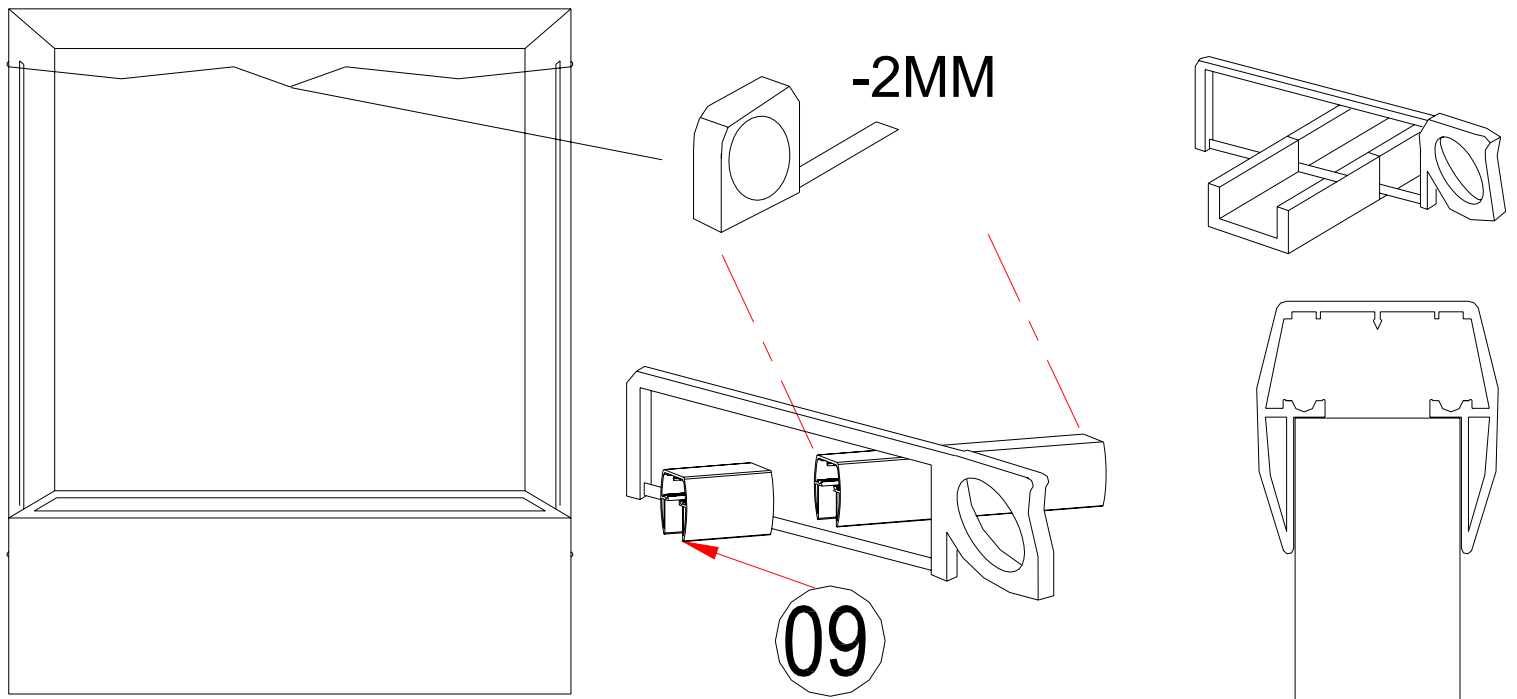
3. Caulk and Install bottom track (1).



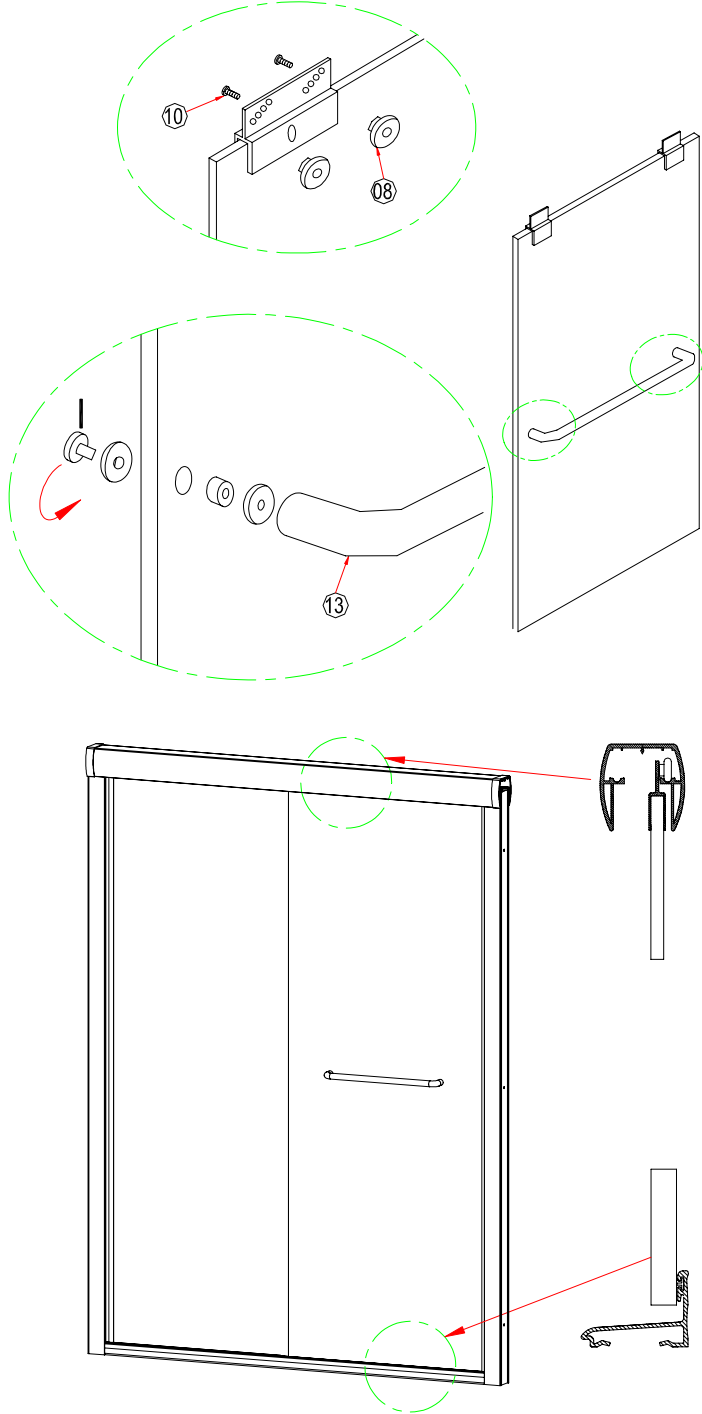
4. Install both wall jambs (4).



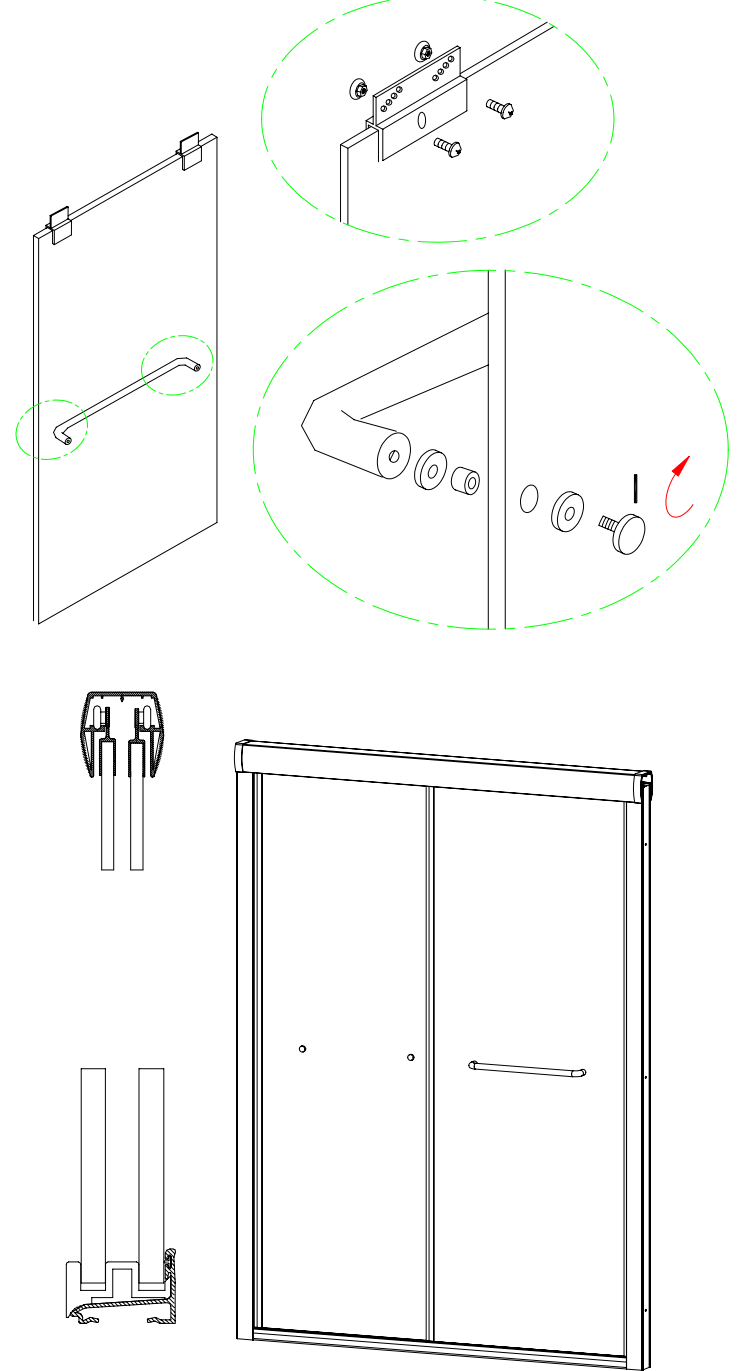
5. Cut the top track (9) 1/16" (2mm) shorter than the opening and install on wall Jamps .



6. Assemble and install front (outer) glass door .



7. Assemble and install rear (inner) glass door ,  
Then install bottom guide(16)



8. Carefully caulk, allow 24 hours before use.

