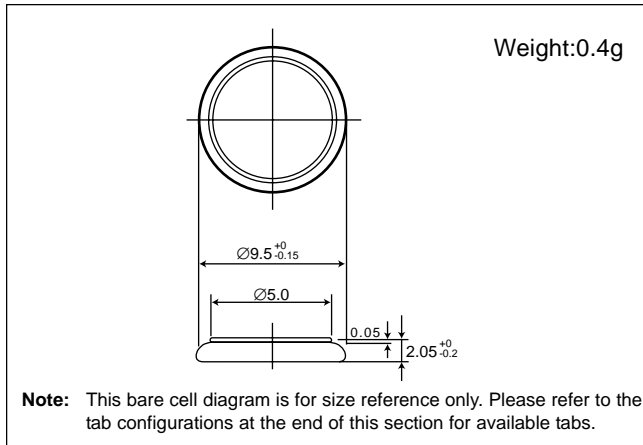


# Manganese Lithium Coin Batteries (ML series): Individual Specifications

## ML920

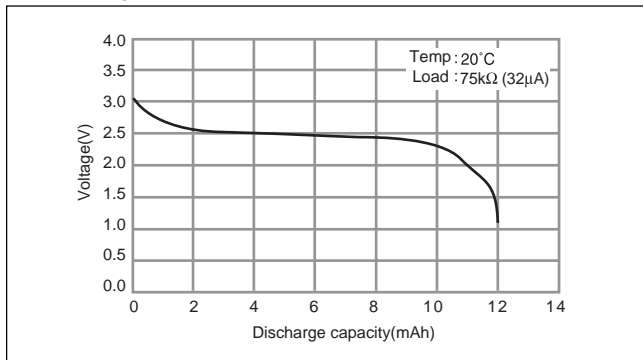
### □ Dimensions(mm)



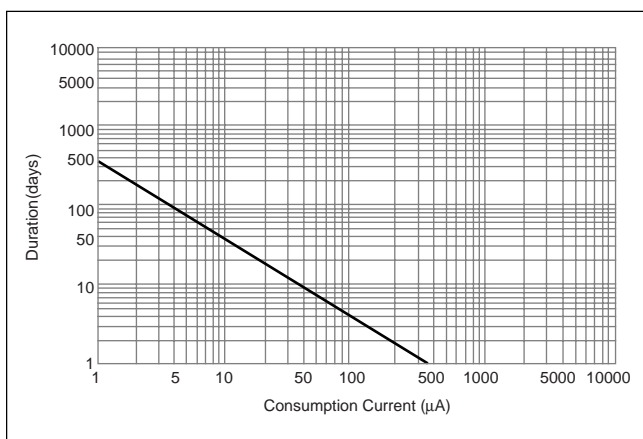
### □ Specification

<b>Nominal voltage (V)</b>	3
<b>Nominal capacity (mAh)</b>	11.0
<b>Continuous standard load (mA)</b>	0.03
<b>Operating temperature (C)</b>	-20 ~ +60

### □ Discharge characteristics

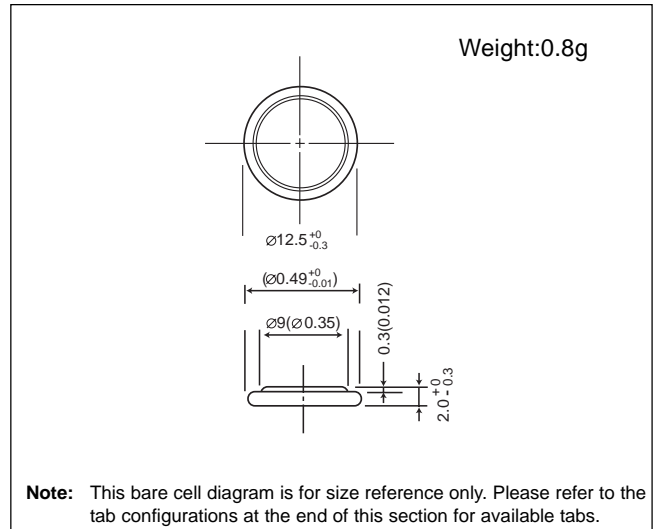


### □ Consumption current vs. Duration time



## ML1220

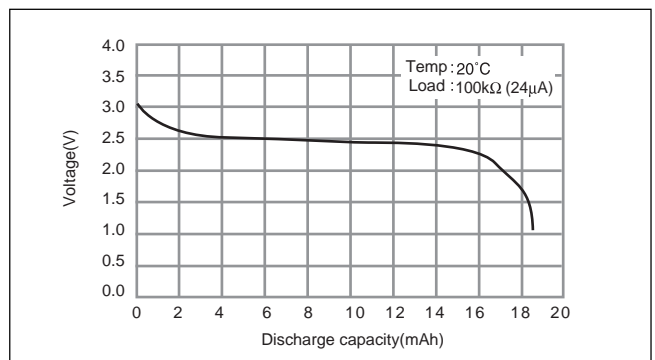
### □ Dimensions(mm)



### □ Specification

<b>Nominal voltage (V)</b>	3
<b>Nominal capacity (mAh)</b>	17.0
<b>Continuous standard load (mA)</b>	0.03
<b>Operating temperature (C)</b>	-20 ~ +60

### □ Discharge characteristics



### □ Consumption current vs. Duration time

