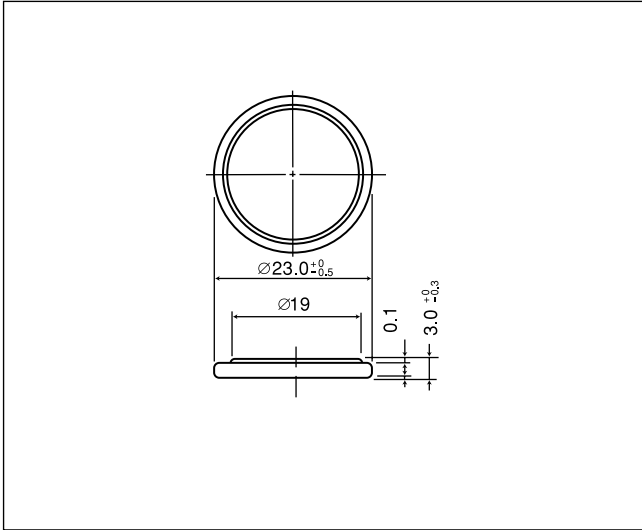


# BR2330A/\*\*

## ■ Dimensions(mm)



## ■ Specification

Nominal voltage(V)	3
Nominal capacity(mAh)	255
Continuous drain(mA)	0.03
Operating temperature(°C)	-40 to +125

## ■ Discharge temperature characteristics

