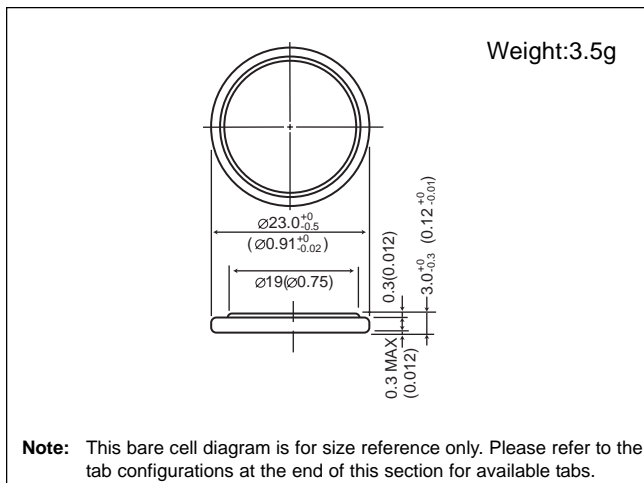


# Vanadium Pentoxide Lithium Coin Batteries (VL Series): Individual Specifications

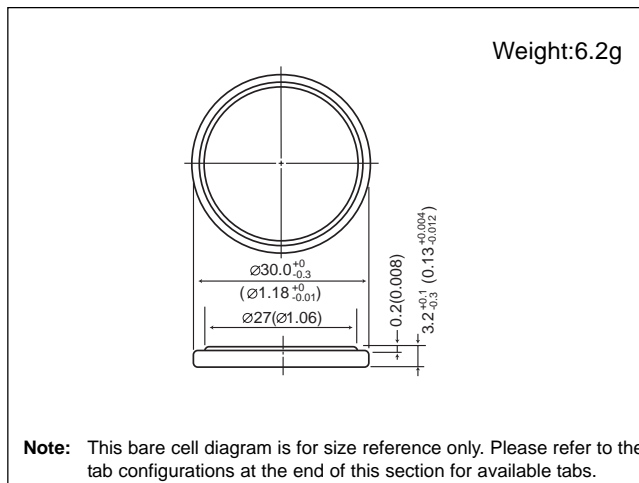
## VL2330

### ■ Dimensions(mm)



## VL3032

### ■ Dimensions(mm)



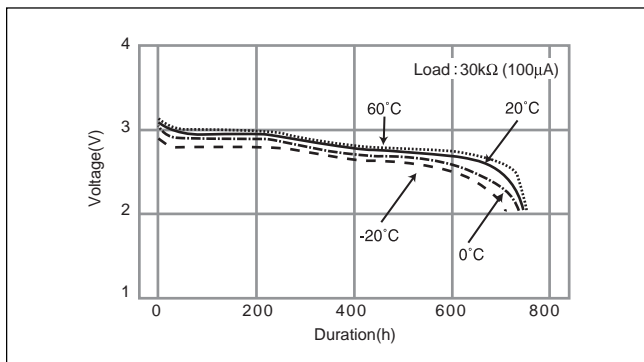
### ■ Specification

Nominal voltage (V)	3
Nominal capacity (mAh)	50.0
Continuous standard load (mA)	0.1
Operating temperature (C)	-20 ~ +60

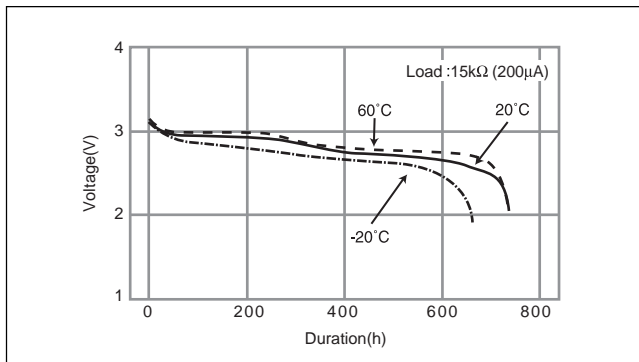
### ■ Specification

Nominal voltage (V)	3
Nominal capacity (mAh)	100.0
Continuous standard load (mA)	0.2
Operating temperature (C)	-20 ~ +60

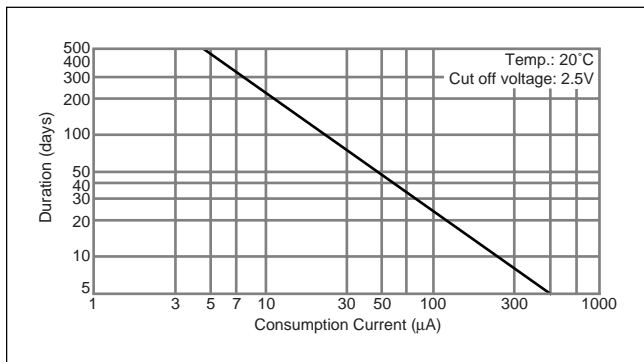
### ■ Discharge Temperature Characteristics



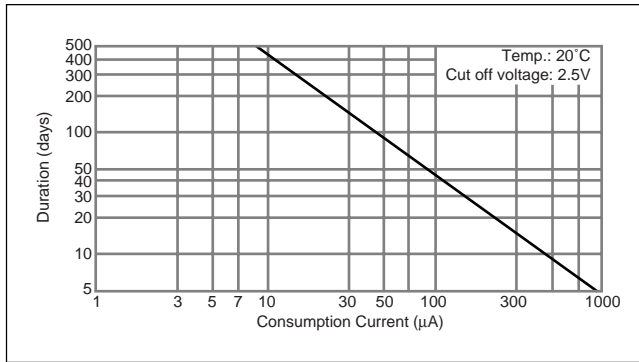
### ■ Discharge Temperature Characteristics



### ■ Consumption current vs. Duration time



### ■ Consumption current vs. Duration time



# Mouser Electronics

Authorized Distributor

Click to View Pricing, Inventory, Delivery & Lifecycle Information:

[Panasonic:](#)

[VL-2330/F3N](#) [VL-2330/HFN](#) [VL-2330/VCN](#) [VL-3032/F2N](#) [VL-3032/GUFN](#) [VL-2330/G1BN](#) [VL-2330/G1CN](#)