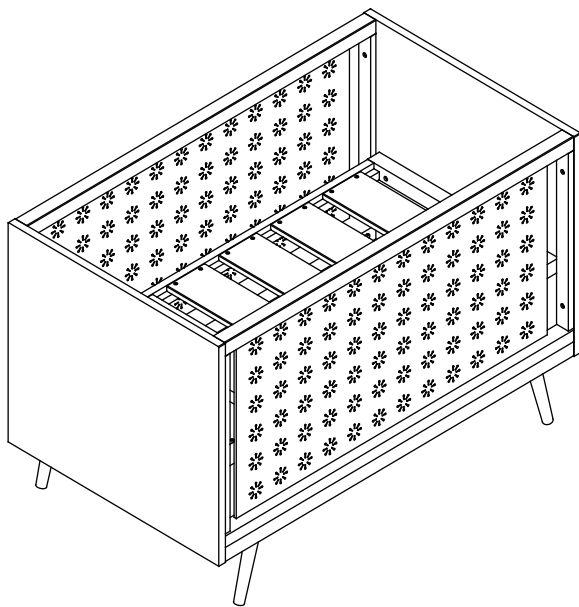


ubabulo
clearly modern

Nifty

Clear 3-IN-1 Cot

Product Code: **UU0300**



INSTRUCTIONS

revised 20APR16

Nifty

Domestic child cot
Clear model
Instruction manual

PERSONS REQUIRED



ASSEMBLY TIME



TOOLS REQUIRED

- PHILLIPS HEAD SCREWDRIVER
 - ALLEN KEY (SUPPLIED)
-

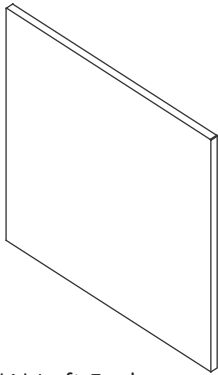
Congratulations and thank you for purchasing an Ubabub product.

With our entire range of clearly modern nursery furniture, we are developing cots that have the capacity to convert into a junior bed and adapt with your growing child. During the design and production of this product we have selected materials that are either recyclable or derived from sustainable practices.

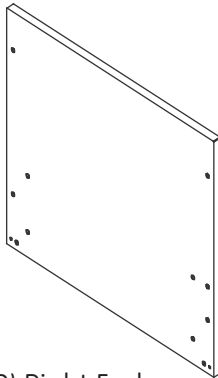
Contents

Contents & Hardware	3
Warning, Care & Maintenance	5
A Lower rails position	11
B Front/Back panels assembly I	12
C Front/Back panels assembly II	13
D Front/Back panels position I	14
E Front/Back panels position II	15
F End panel assembly	16
G Baseplate assembly	17
H Mattress support position	18
I Close extra holes	19
J Finished assembly	20

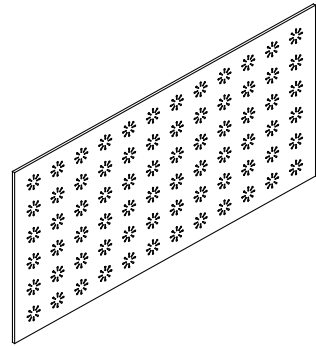
Contents



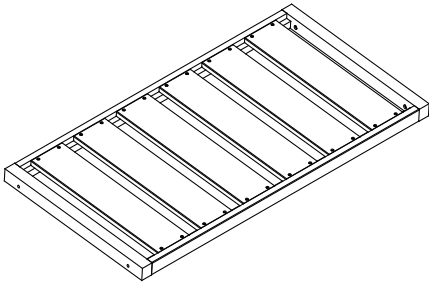
(A) Left End Panel x 1



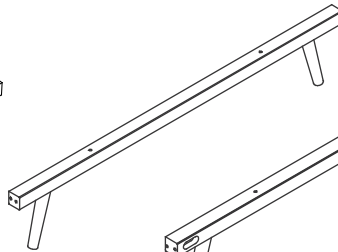
(B) Right End Panel x 1



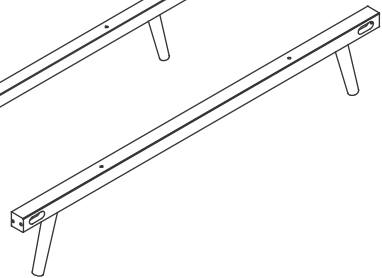
(C) Front / Back Panel x 2



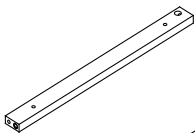
(D) Mattress Support x 1



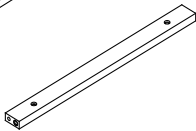
(E) Front Lower Rail x 1



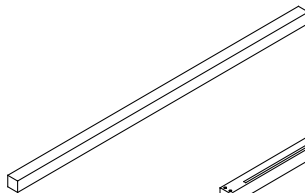
(F) Back Lower Rail x 1



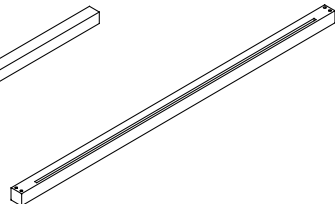
(G) Left Frame x 2



(H) Right Frame x 2

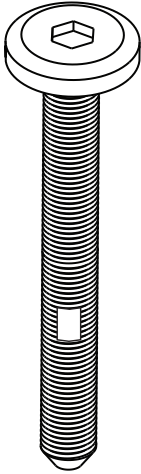


(I) Top Frame x 2

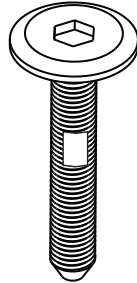


(J) Bottom Frame x 2

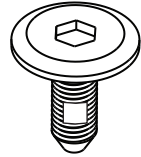
Hardware



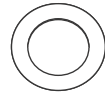
(H1) 5.7cm Allen Head Bolt x 12



(H2) 3.2cm Allen Head Bolt x 12



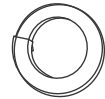
(H3) 1.5cm Allen Head Bolt x 4



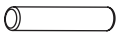
(H5) Washer x 24



(H4) 1.5cm Round Head Bolt x 16



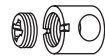
(H6) Lock Washer x 24



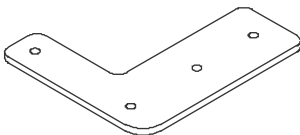
(H7) Wood Dowel x 12



(H8) Cam bolt x 4



(H9) Cam lock x 4



(H10) Support Plate x 4



(H11) Allen Key x 1



WARNING:

Failure to follow these warnings and the assembly instructions could result in serious injury or death.

**READ ALL INSTRUCTIONS BEFORE ASSEMBLING
COT. KEEP THE MANUAL FOR FUTURE USE.**



WARNING:

Parents should ensure a safe environment for the child by checking regularly, before placing the child in the product, that every component is properly and securely in place.



WARNING:

Please do NOT remove any wood screws in the normal disassembly of the cot.

CAUTION: ANY MATTRESS USED IN THIS COT MUST BE AT LEAST 27 1/4 INCHES (69CM) BY 51 5/8 INCHES (131CM) WITH A THICKNESS NOT EXCEEDING 6 INCHES (15CM).

**Please read the Caution and
Warning Statements insert
before using your cot.**



WARNING:

TO PREVENT FALLS, THE MATTRESS BASE OF THIS COT SHOULD BE ADJUSTED TO THE LOWEST POSITION BEFORE THE CHILD CAN SIT UP.

RECOMMENDED MATTRESS SIZE:

This cot has been manufactured for use with a mattress which measures 690 mm wide by 1310 mm long and 150 mm (or less) in thickness. The width and length are specified because it is important that the gaps between the mattress and the sides and ends of the cot will not exceed 40 mm. This is to minimize the risk of a child's limb becoming caught in the gap. The thickness of the mattress has been specified to ensure that the depth of the cot is greater than 500 mm with the mattress base in the lower position to minimize the risk of a child climbing or falling out of the cot.

- Do not use this cot if you cannot exactly follow the accompanying instructions.
- Infants can suffocate on soft bedding. Never add a pillow or comforter. Never place additional padding under an infant.
- To reduce the risk of SIDS, pediatricians recommend healthy infants be placed on their backs to sleep, unless otherwise advised by your physician.
- Strangulation Hazard: Strings can cause strangulation! Do not place items with a string around a child's neck, such as hood strings or pacifier cords. Do not place cords, straps, or similar items that could become wound around the child's neck in or near this cot. Do not suspend strings over a cot or attach strings to toys.
- To help prevent strangulation tighten all fasteners. A child can trap parts of the body or clothing on loose fasteners.
- DO NOT place a cot near a window where cords from blinds or drapes may strangle a child. Do not place this cot near a window or a patio door where a child could reach the cord of a blind or curtain and be strangled.
- Fall Hazard: When a child is able to pull to a standing position, set the mattress to the lowest position and remove bumper pads, large toys and other objects that could serve as steps for climbing out.
- Do not use this cot if the child is able to climb out unaided or is taller than 35 in. (89cm).
- Check this product for damaged hardware, loose joints, loose bolts or other fasteners, missing parts or sharp edges before and after assembly and frequently during use. Securely tighten loose bolts and other fasteners. DO NOT use cot if any parts are missing, damaged or broken. DO NOT substitute parts. Contact **Ubabub** for replacement parts and instructional literature if needed.
- DO NOT use a water mattress with this cot.
- If refinishing, use a non-toxic finish specified for children's products.
- Never use plastic shipping bags or other plastic films as mattress covers because they can cause suffocation.
- Infants can suffocate in gaps between cot sides when used with a mattress that is too small.
- Follow warnings on all products in a cot.
- Ensure that the sides are properly latched or locked in place when the cot is occupied.
- Place cot at a reasonable distance from curtains, blinds, heater and power points.
- Keep medication, string, elastic, small toys or small items, such as money, out of reach from any position in the cot.

Storage:

- Solid woods exchange moisture with the air adjusting to major changes in room temperature and humidity. Therefore, it is best to place your furniture away from heating or air- conditioning vents.
- Sunlight is not friendly to solid wood furniture and prolonged direct exposure to harsh sunlight can discolor the finish. Be careful not to place your furniture in direct sunlight for extended periods of time. As with all your fine furniture, blot up spills immediately.

Care and Maintenance:

- Do not scratch or chip the finish. Do not use abrasive chemicals for cleaning. Clean with mild soap on a soft rag. Rinse and dry thoroughly. If you ever refinish this furniture, be sure to use only a non-toxic finish specified for children's products. If you choose to refinish this furniture, the warranty will be voided.
- Wipe up spills immediately with a soft, clean cloth.
- Urine spills can cause discolouration and is a growth medium to mould fungus.
- Do not use strong household cleaners, and in particular do not use any petro-chemical based cleaners on any plastic or wood surface.

Cleaning Acrylic:

We offer special guidelines for caring and maintaining our acrylic furniture collection.

CAUTION: Never use window cleaner, ammonia products, or other chemical sprays on acrylic!

Distinctive acrylic furniture and accessories can last an eternity with minimal care and maintenance. Acrylic care consists of no more than normal wipe-cleaning to keep it looking new – but care should be taken to avoid scratches.

Acrylic is also stable when exposed to sunlight, so it will not turn yellow or crack even when used in normal outdoor environments.

Use only a very soft damp cloth when cleaning acrylic surfaces.

It is possible to scratch acrylic, so NEVER use any scouring compounds or chemical cleaners such as Windex or other glass cleaners (even if they are environmentally friendly, organic or non-scented). Should anything ever stick to an acrylic surface (such as an adhesive label or gummy substance) do not use any type of solvent.

Never use the same cloth that you clean other household items with – it can retain dirt, grit, and chemical residues that may harm your acrylic items. We recommend using a new or separate cloth for your acrylic care.

However, scratches do happen – but don't worry! Unlike other materials, scratches on acrylic can be easily removed with Novus products. We recommend Novus products for cleaning your acrylic furniture. Keep your acrylic surfaces free from dust and dirt, with **"Novus 1"**. It's a clear, anti-static formula specially created to remove the negative charge that can attract dust and dirt to the surface of acrylic. It is easy to use: simply wipe on and wipe off! Or use **"Novus 2"** anti-static formula to remove surface scratches while it cleans. **"Novus 3"** is for removal of heavier scratches and requires Novus 2 for final finishing. You can find Novus products at <http://novusautoglass.com.au/plastic-polish/>.

AUSTRALIA - WARRANTY

Ubabub warrants that your **Nifty Clear 3-IN-1 Cot** will be free from defects the whole product for a period of one year, from the date of purchase. This warranty only applies where the product is completely and correctly assembled and used in accordance with all accompanying recommendations and users instructions. This warranty is in addition to your rights under the Australia Consumer Law.

This warranty will no longer apply where the defect is a result from installation and assembly, normal wear and tear, abuse, negligence, improper use or alteration to the finish, design, and hardware of the cot.

Our goods come with guarantees that cannot be excluded under the Australian Consumer Law. You are entitled to a replacement or refund for a major failure and compensation for any other reasonably foreseeable loss or damage. You are also entitled to have the goods repaired or replaced if the goods fail to be of acceptable quality and the failure does not amount to a major failure.

Please retain your receipt as proof of purchase and contact Ubabub for further assistance on how to process any warranty claims.

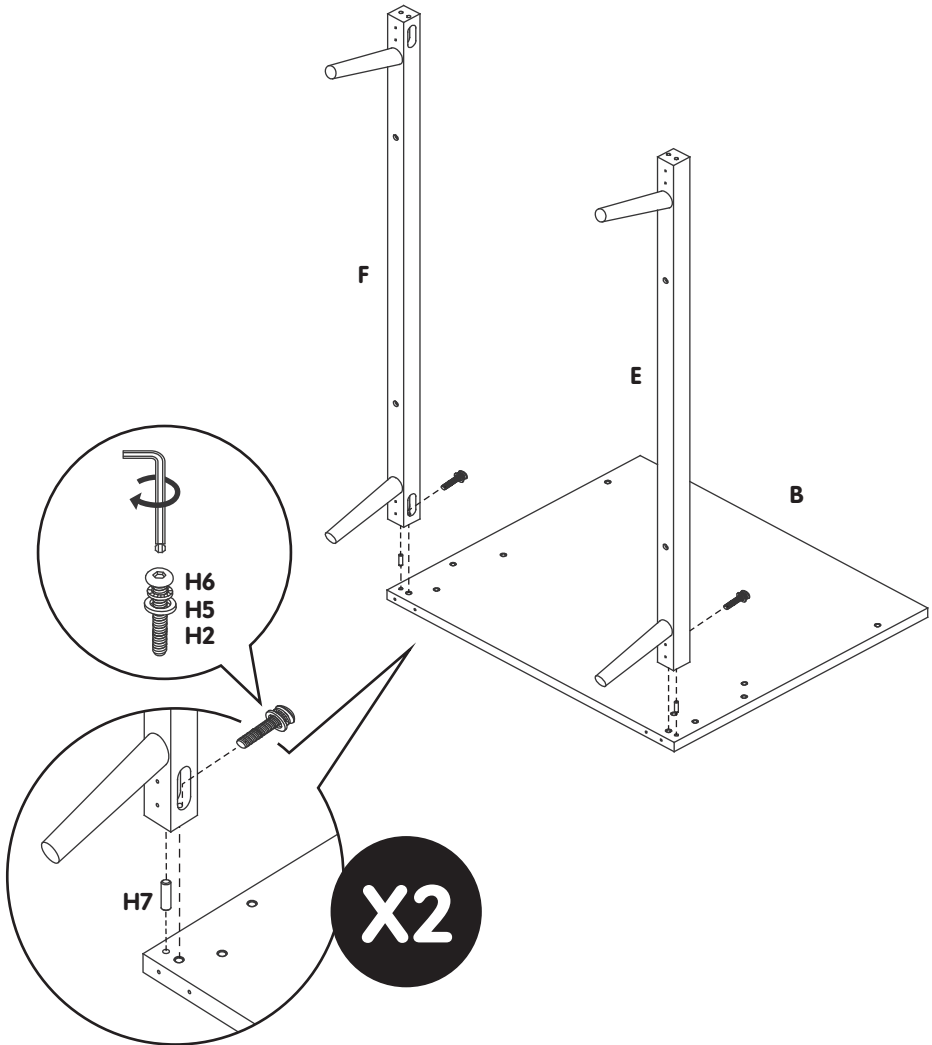
Business name: Ubabub
Business Address: PO Box 1149 Collingwood VIC 3066
Phone number: (03) 8838 8006
Email address: info@ubabub.com

Contact us:

Ubabub
PO Box 1149 Collingwood VIC 3066
(03) 8838 8006
info@ubabub.com
www.ubabub.com

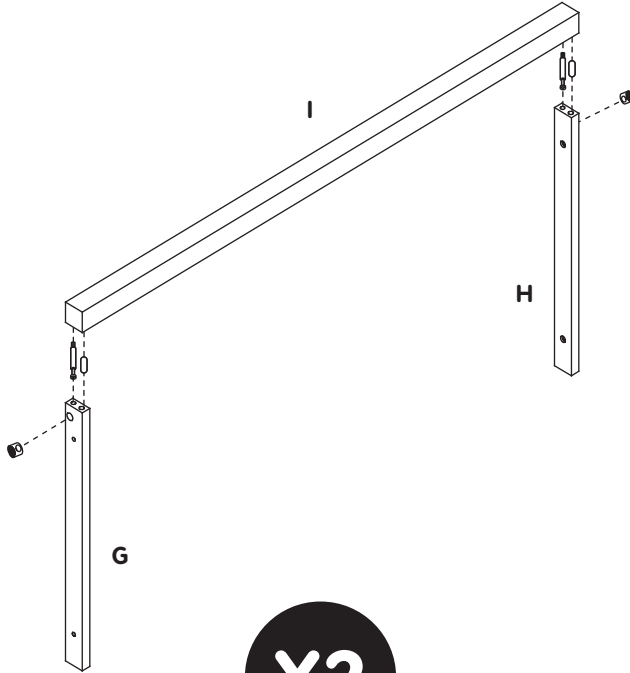
A

Lower rails position

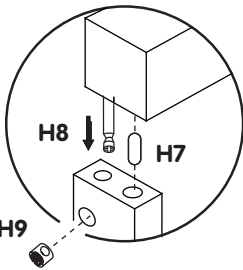


B

Front/Back panels assembly I

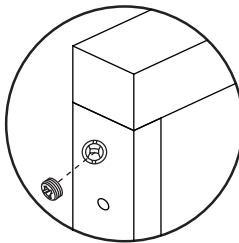


X2



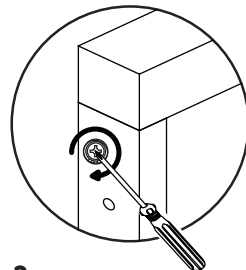
1

Insert the cam bolt (H8) to the top frame and cam lock (H9) to the side frame.



2

Insert cam lock nut.

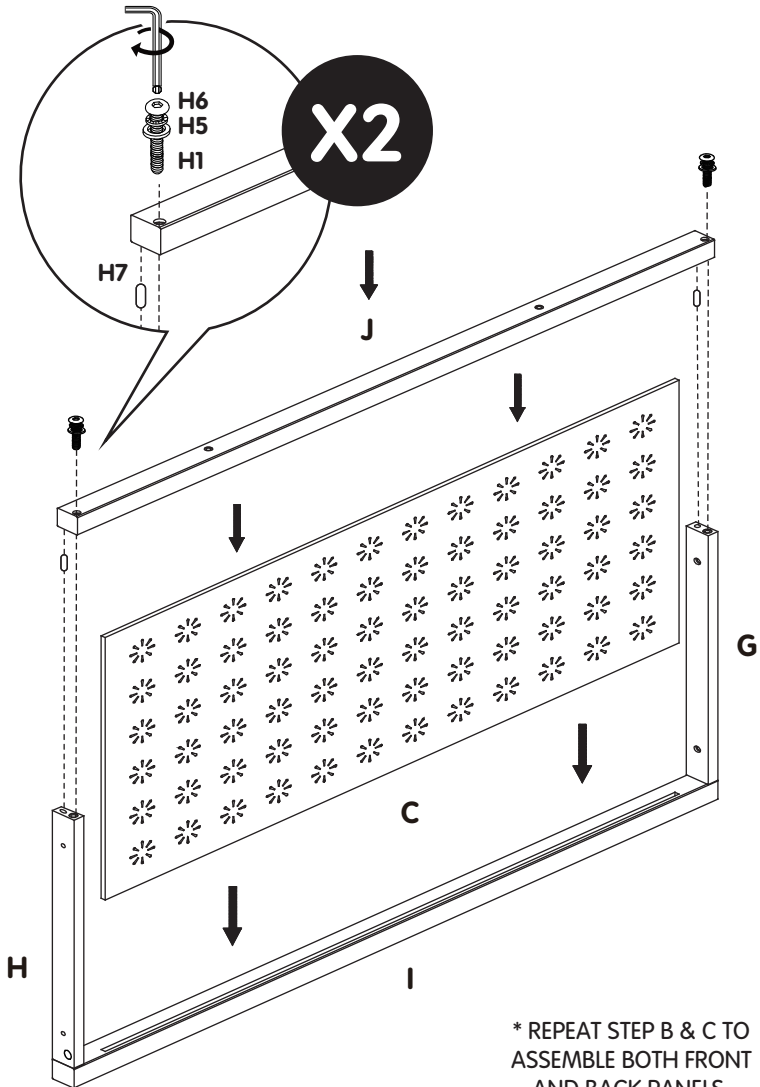


3

Use screwdriver to turn cam lock nut clockwise until tight.

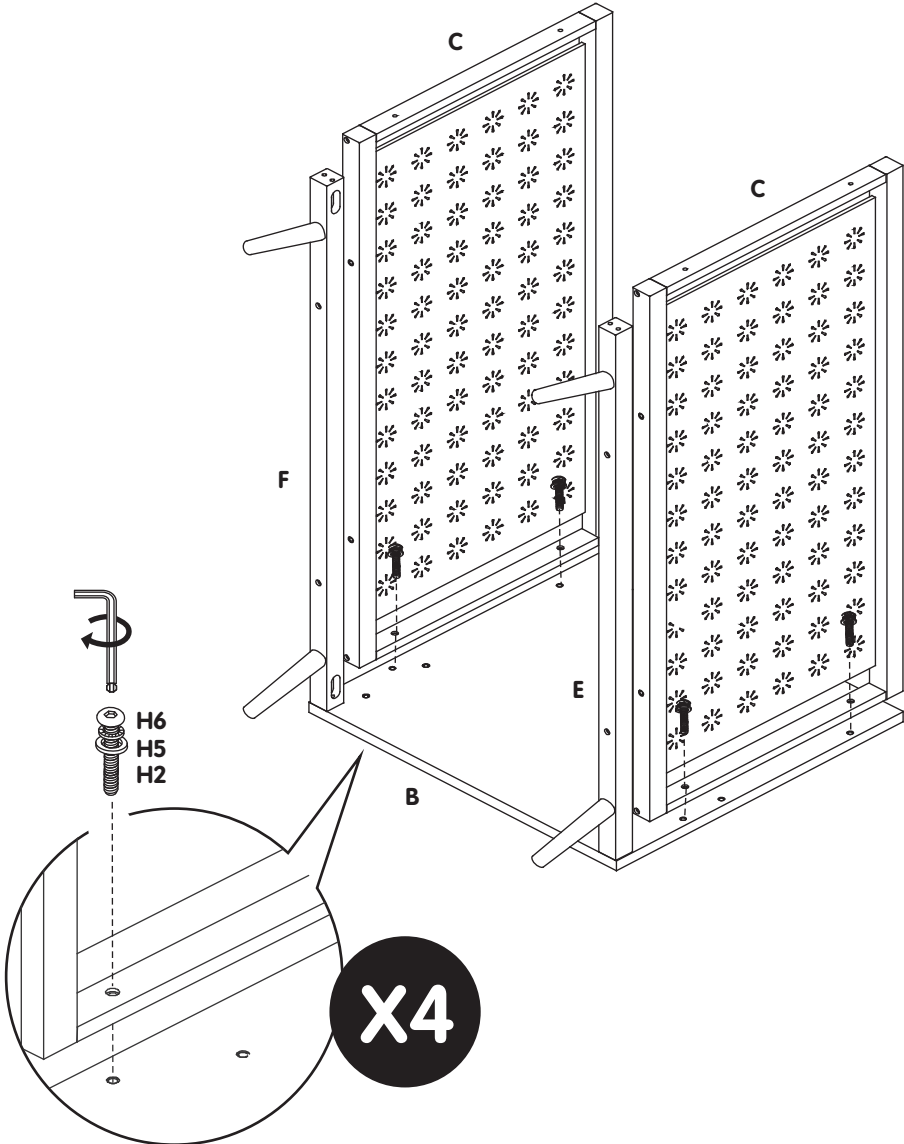


Front/Back panels assembly II



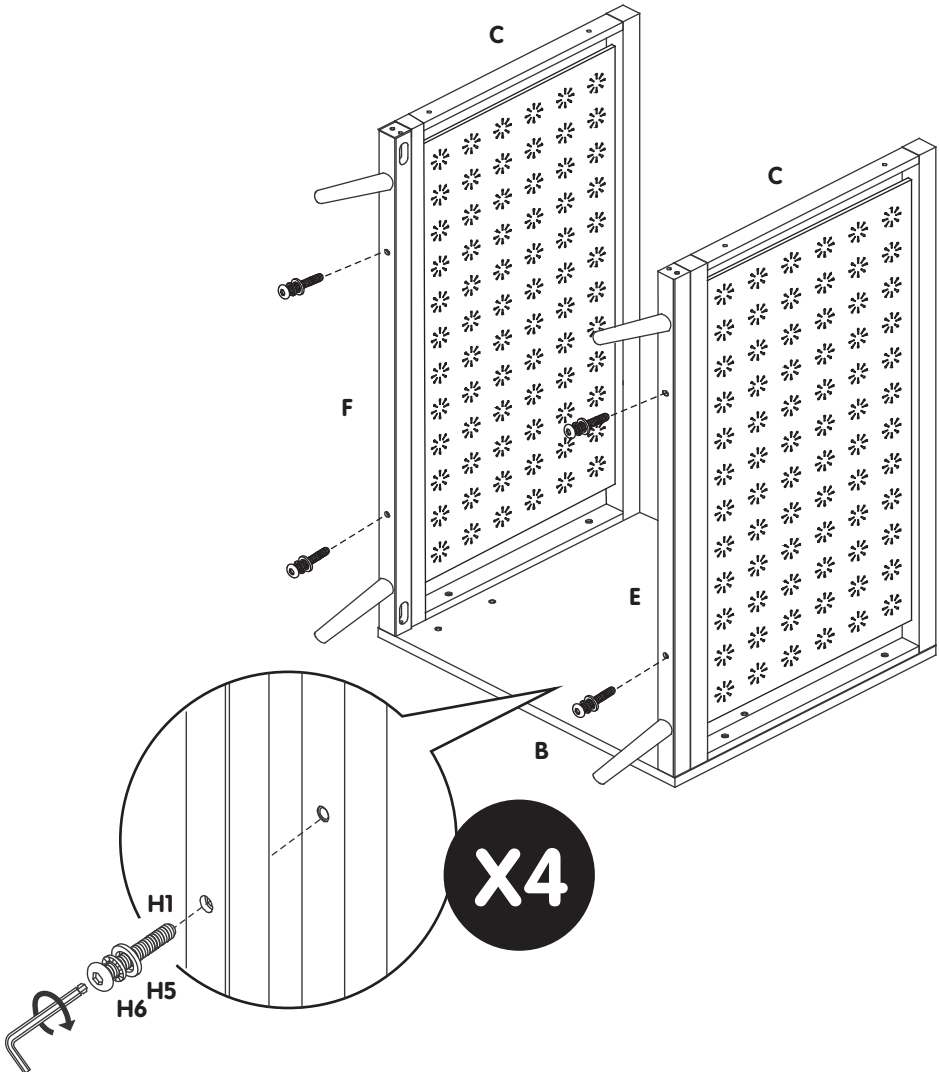
D

Front/Back panels position I



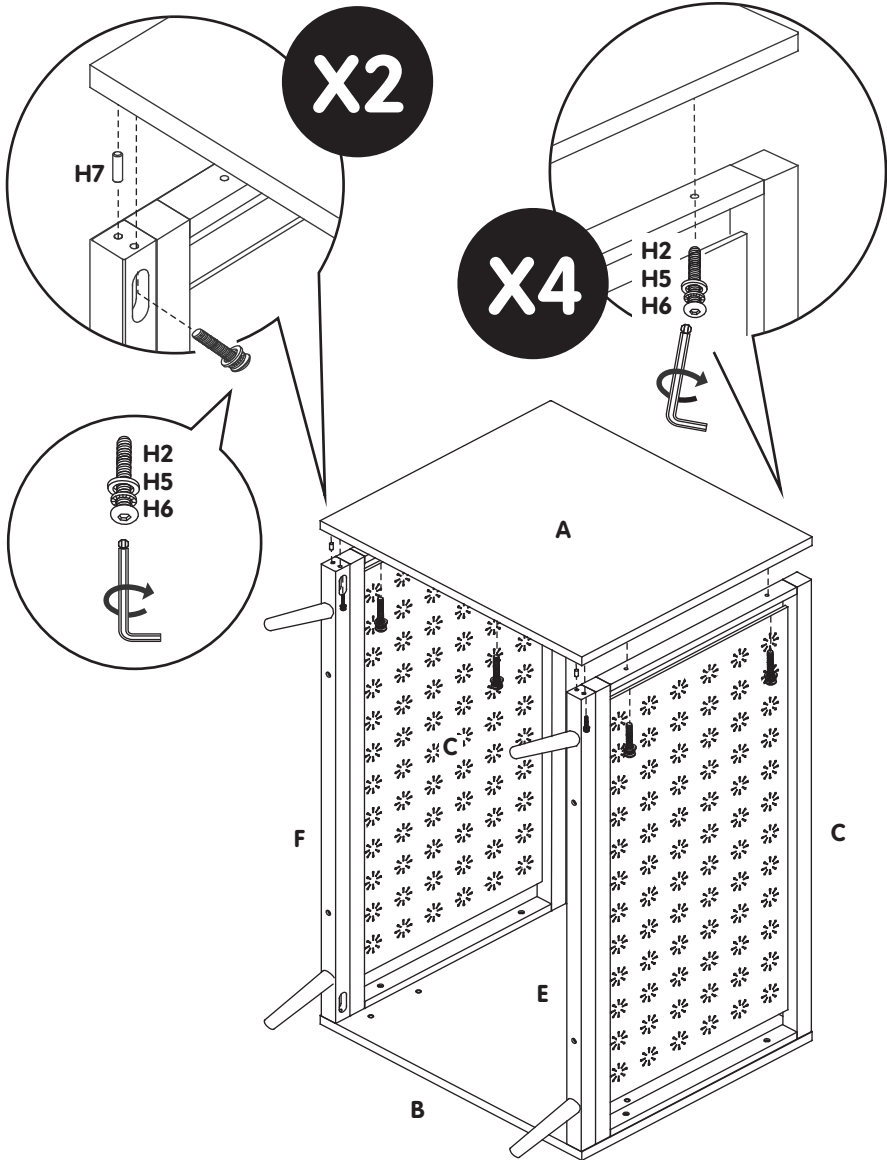
E

Front/Back panels position II



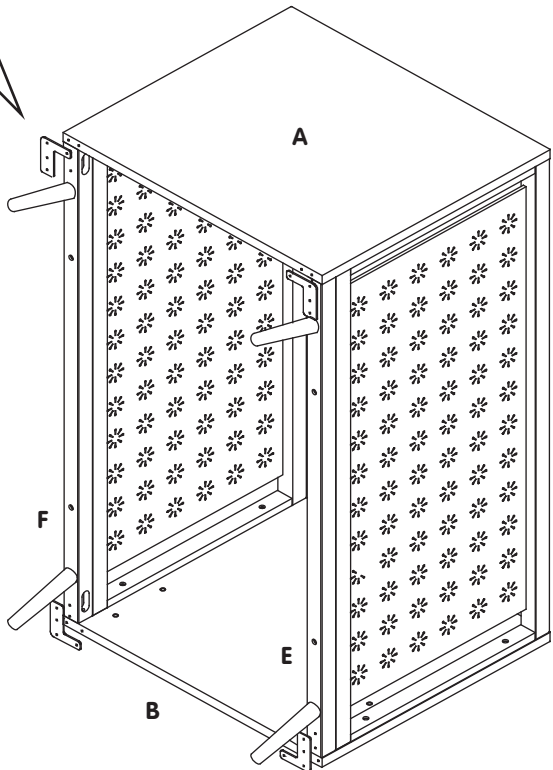
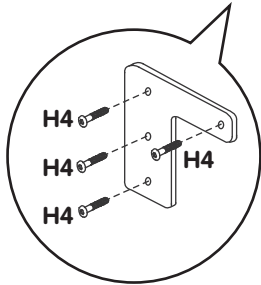
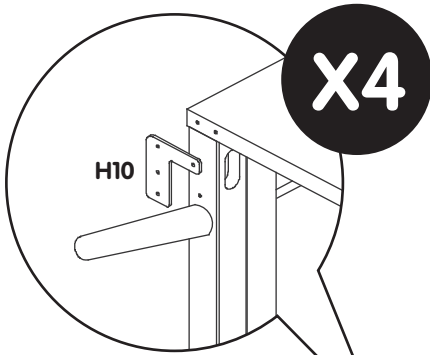
F

End panel assembly



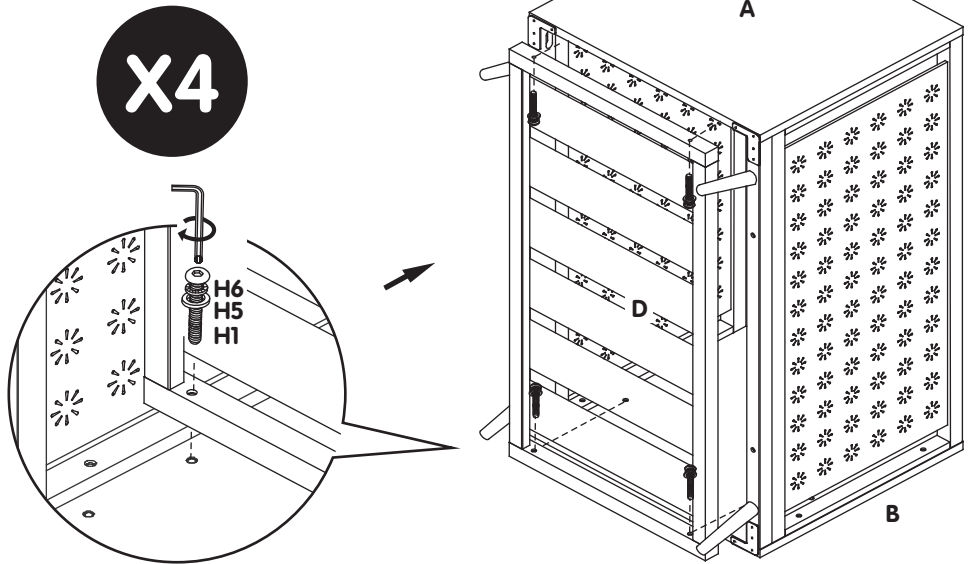


Baseplate assembly

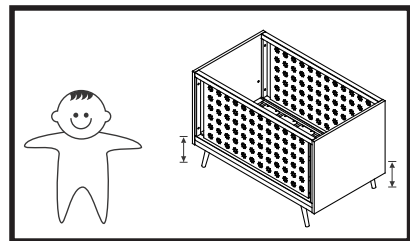
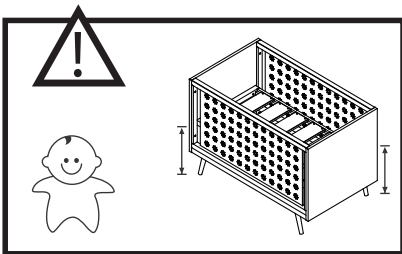




Mattress support position

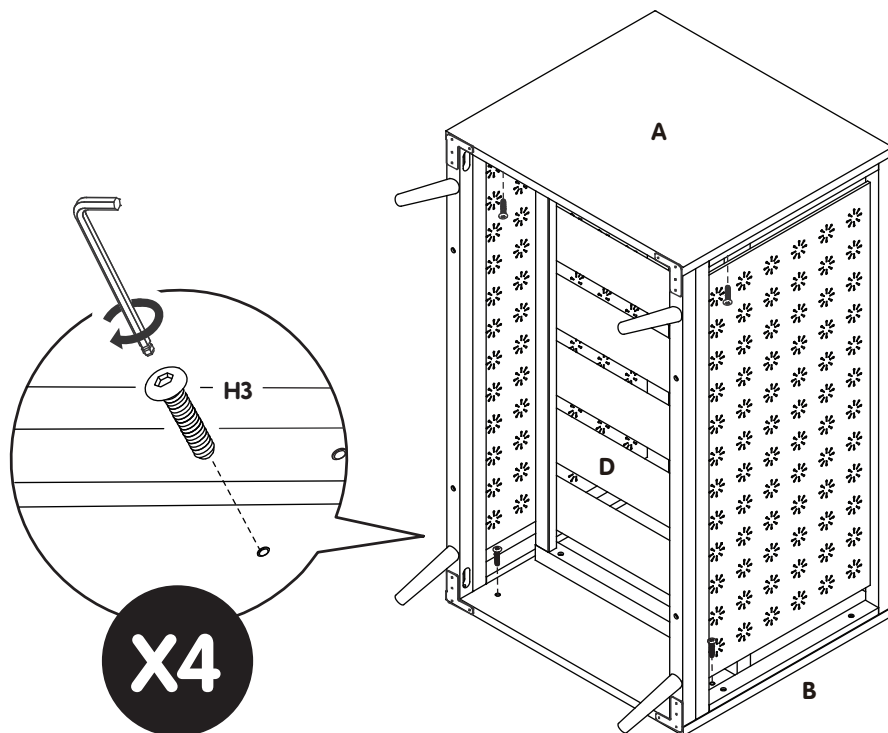


- * Make sure the mattress support (D) is installed **FLAT SIDE UP**.
- * Make sure the mattress support (D) is level.





Close extra holes



CARE AND SAFETY:

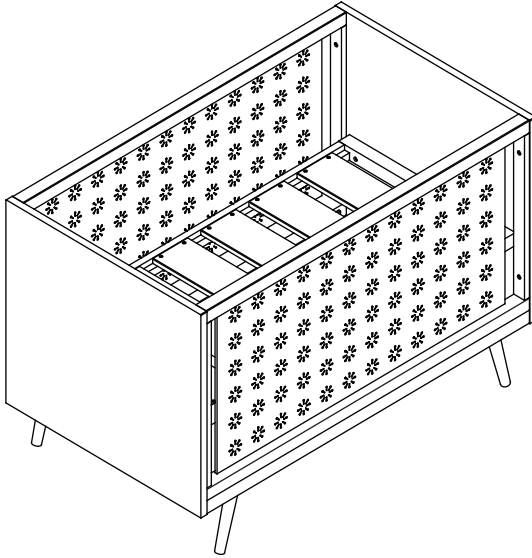
THIS UNIT IS SUPPLIED WITH EXTRA BOLTS THAT SECURES THE HOLES ACCESSIBLE TO THE CHILD. FAILURE TO USE THIS COULD RESULT IN A HAZARD. WE RECOMMEND THAT YOU USE THIS SAFETY DEVICE.

When putting the mattress support (D) at the higher position, use the provided bolts (H3) and plug the corresponding holes at the lower position as illustrated. Tighten each bolt with the Allen wrench (H11). You will install a total of 4 bolts.

If putting the mattress support (D) at the lower position, use the provided bolts (H3) and plug the corresponding holes at the higher position. Tighten each bolt with the Allen wrench (H11). You will install a total of 4 bolts.



Finished assembly



**KEEP THIS MANUAL IN A SAFE PLACE FOR
FUTURE REFERENCE.**

Recheck all screws and bolts to be sure they are fastened securely. Do not overtighten.
Before using your cot, please read all cautionary statements on the insert sheet.

**Toddler bed rail (UB0399) is not included, sold separately.
Please contact your retailer to purchase.**

ubabulo
clearly modern

Made in Vietnam