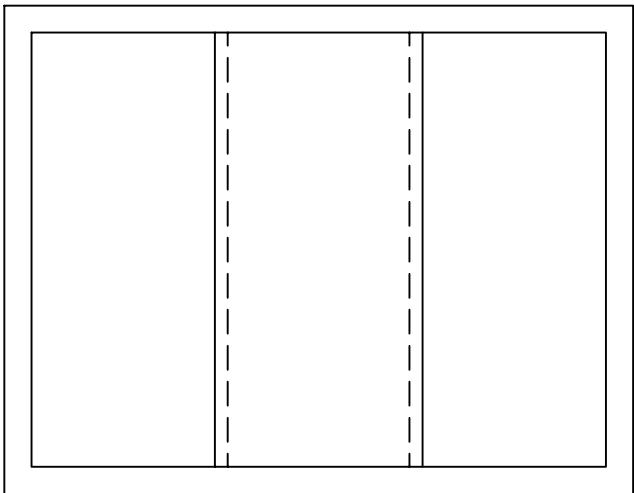
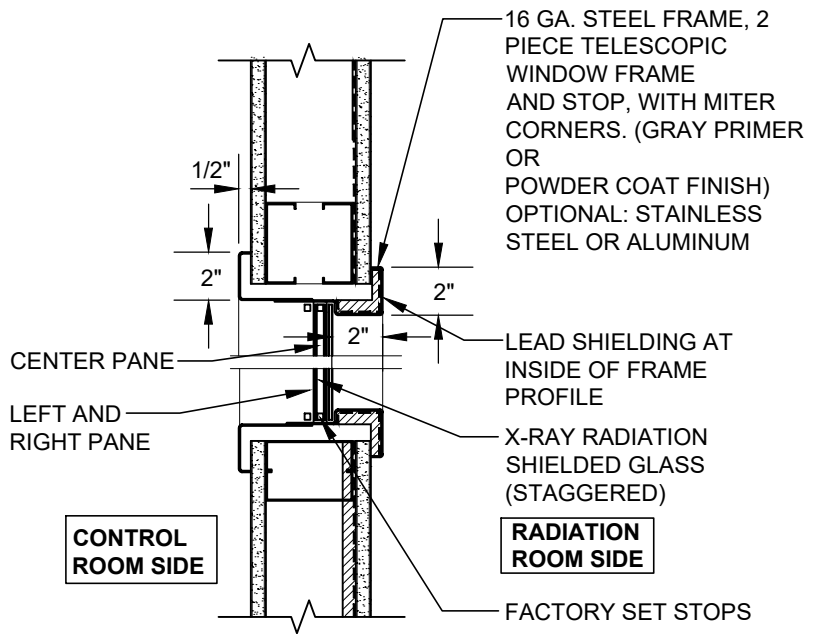


CONTROL ROOM ELEVATION

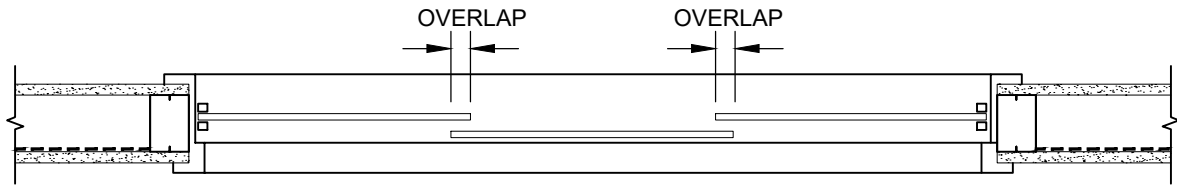
- STAGGERED OFFSET X-RAY LEAD GLASS PROVIDES CLEAR VIEW FOR OBSERVATION AND ALLOWS TECHNICIAN / PATIENT COMMUNICATION.
- AVAILABLE AS STANDARD "X-RAY LEAD GLASS" OR IMPACT RESISTANT "X-RAY SAFETY GLASS"



RADIATION SIDE ELEVATION



CONTROL ROOM SIDE



RADIATION SIDE