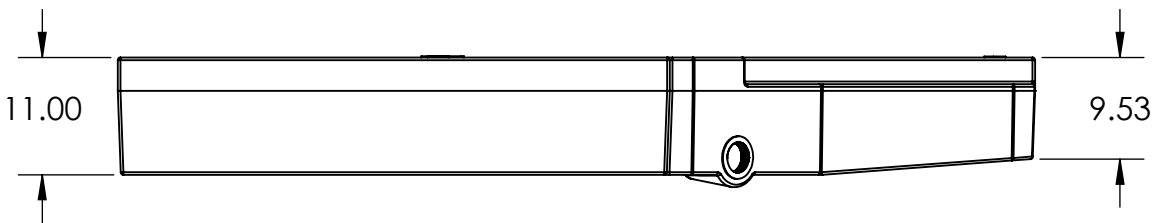
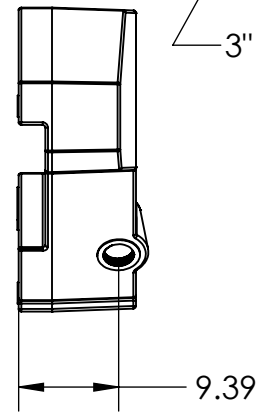
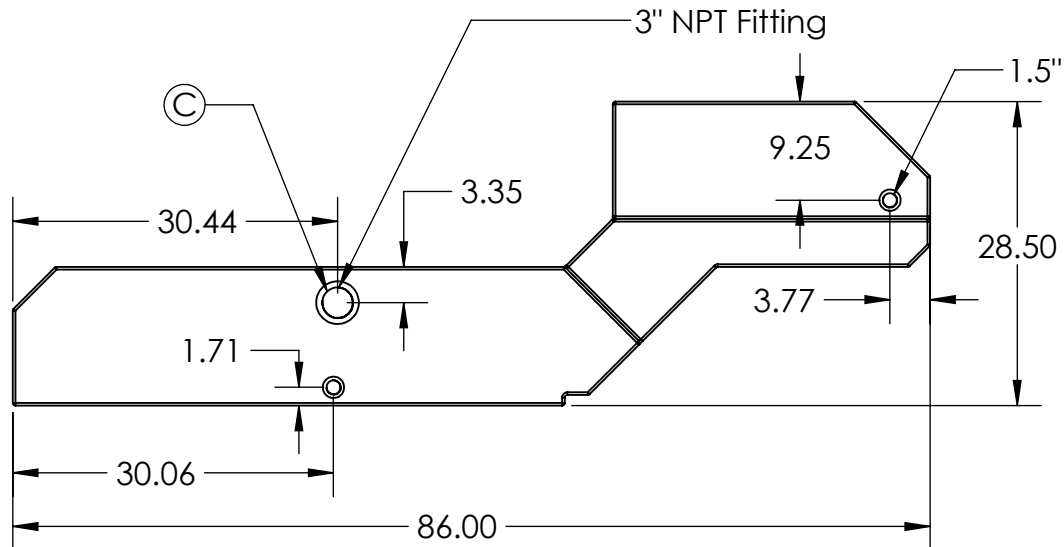
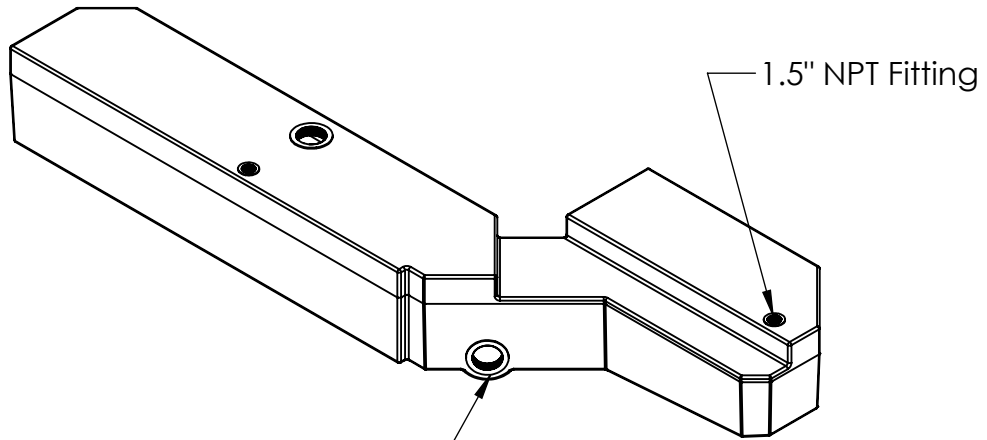


REVISIONS			
REV.	DESCRIPTION	DATE	APPROVED
C	SHIFTED FITTING 1/2 INCH INWARD	8/11/2023	DLG



TITLE: 48 GALLON TANK FOR RV BUILD, GREY / BLACK WATER TANK TRANSIT					
THE INFORMATION CONTAINED IN THIS DRAWING IS THE SOLE PROPERTY OF WALDOCH. ANY REPRODUCTION IN PART OR AS A WHOLE WITHOUT THE WRITTEN PERMISSION OF WALDOCH IS PROHIBITED.	TOLERANCES (EXCEPT AS NOTED)	DATE: 8/11/2023	REV: B	DRAWN BY: DLG	PART #: STE.10014
	DECIMAL	UNLESS OTHERWISE SPECIFIED			SHEET 1 of 1
	.X ± .06	1. ALL DIMENSIONS ARE IN INCHES 2. BREAK SHARP EDGES & DEBURR 3. MATERIAL & FINISH TO BE AS NOTED OR SUBSTITUTED WITH AN APPROVED AND TESTED EQUIVALENT			MATERIAL:
	.XX ± .03				MDPE Black
.XXX ± .02	ANGULAR ±1°				

