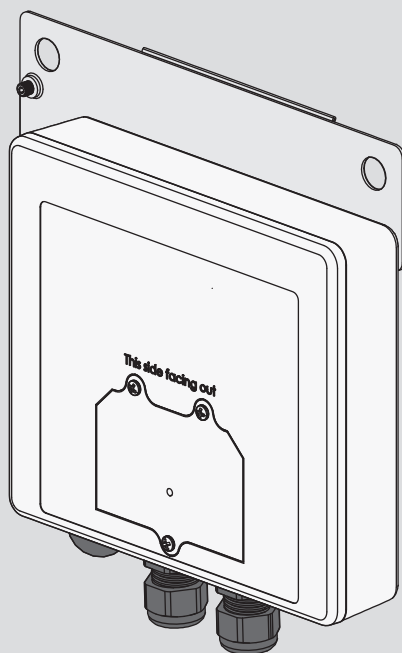
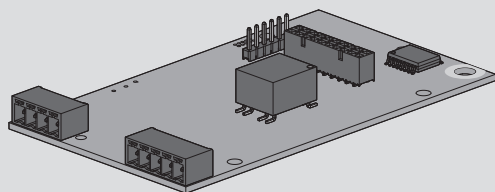


SMA ROOFTOP COMMUNICATION KIT (RoofCommKit-P2-US)



ENGLISH

Installation manual

ESPAÑOL

Instrucciones de instalación

FRANÇAIS

Instructions d'installation



Legal Provisions

No part of this document may be reproduced, stored in a retrieval system, or transmitted, in any form or by any means, be it electronic, mechanical, photographic, magnetic or otherwise, without the prior written permission of SMA Solar Technology America LLC.

Neither SMA Solar Technology America LLC nor SMA Solar Technology Canada Inc. makes representations, express or implied, with respect to this documentation or any of the equipment and/or software it may describe, including (with no limitation) any implied warranties of utility, merchantability, or fitness for any particular purpose. All such representations or warranties are expressly disclaimed. Neither SMA Solar Technology America LLC nor its distributors or dealers nor SMA Solar Technology Canada Inc. nor its distributors or dealers shall be liable for any indirect, incidental, or consequential damages under any circumstances.

The exclusion of implied warranties may not apply in all cases under some statutes, and thus the above exclusion may not apply.

Specifications are subject to change without notice. Every attempt has been made to make this document complete, accurate and up-to-date. Readers are cautioned, however, that product improvements and field usage experience may cause SMA Solar Technology America LLC and/or SMA Solar Technology Canada Inc. to make changes to these specifications without advance notice, or per contract provisions in those cases where a supply agreement requires advance notice. SMA shall not be responsible for any damages, including indirect, incidental or consequential damages, caused by reliance on the material presented, including, but not limited to, omissions, typographical errors, arithmetical errors or listing errors in the content material.

Trademarks

All trademarks are recognized, even if not explicitly identified as such. Missing designations do not mean that a product or brand is not a registered trademark.

SMA Solar Technology America LLC

6020 West Oaks Blvd.

Suite 300 Rocklin, CA 95765 U.S.A.

SMA Solar Technology Canada Inc.

2425 Matheson Blvd. E

7th Floor

Mississauga, ON L4W 5K4

Canada

Status: 6/7/2018

Copyright © 2018 SMA Solar Technology America LLC. All rights reserved.

General Warnings

WARNING

All electrical installations must be carried out in accordance with the local electrical standards and the *National Electrical Code*® ANSI/NFPA 70 or the *Canadian Electrical Code*® CSA C22.1. This document does not replace and is not intended to replace any local, state, provincial, federal or national laws, regulations or codes applicable to the installation and use of the product, including without limitation applicable electrical safety codes. All installations must conform with the laws, regulations, codes and standards applicable in the jurisdiction of installation. SMA assumes no responsibility for the compliance or non-compliance with such laws or codes in connection with the installation of the product.

The product contains no user-serviceable parts.

For all repair and maintenance, always return the unit to an authorized SMA Service Center. Before installing or using the product, read all of the instructions, cautions, and warnings in this manual.

Wiring of the product must be made by qualified personnel only.

Table of Contents

1	Information on this Document	5
1.1	Validity	5
1.2	Target Group	5
1.3	Content and Structure of this Document	5
1.4	Symbols in the Document	5
1.5	Typographies in the document	6
2	Safety	7
2.1	Intended Use	7
2.2	IMPORTANT SAFETY INSTRUCTIONS.....	8
3	Scope of Delivery	11
4	Mounting.....	12
4.1	Mounting position	12
4.2	Installing the Module	12
5	Connection	14
5.1	Connecting the Gateway	14
6	Commissioning the Rooftop Communication Kit	17
7	Disposing of the Product.....	18
8	Contact	19
9	Compliance Information	20

1 Information on this Document

1.1 Validity

This document is valid for:

- RoofCommKit-P2-US (SMA Rooftop Communication Kit)

1.2 Target Group



The tasks described in this document must only be performed by qualified persons. Qualified persons must have the following skills:

- Knowledge of how an inverter works and is operated
- Training in how to deal with the dangers and risks associated with installing, repairing and using electrical devices and installations
- Training in the installation and commissioning of electrical devices and installations
- Knowledge of all applicable laws, standards and directives
- Knowledge of and compliance with this document and all safety information

1.3 Content and Structure of this Document

This document describes the assembly and installation of approved accessories in SMA products. Illustrations in this document are reduced to the essential information and may deviate from the real product.

1.4 Symbols in the Document

Symbol	Explanation
	Information that is important for a specific topic or goal, but is not safety-relevant
	Example
<input type="checkbox"/>	Indicates a requirement for meeting a specific goal
<input checked="" type="checkbox"/>	Desired result
x	A problem that might occur

1.5 Typographies in the document

Typography	Use	Example
bold	<ul style="list-style-type: none"> • Messages • Terminals • Elements on a user interface • Elements to be selected • Elements to be entered 	<ul style="list-style-type: none"> • Connect the insulated conductors to the terminals X703:1 to X703:6. • Enter 10 in the field Minutes.
>	<ul style="list-style-type: none"> • Connects several elements to be selected 	<ul style="list-style-type: none"> • Select Settings > Date.
[Button] [Key]	<ul style="list-style-type: none"> • Button or key to be selected or pressed 	<ul style="list-style-type: none"> • Select [Enter].

2 Safety

2.1 Intended Use

The SMA Rooftop Communication Kit is a communication set for TS4 module technology components. The SMA Rooftop Communication Kit enables direct connection of the inverter to the Gateway.

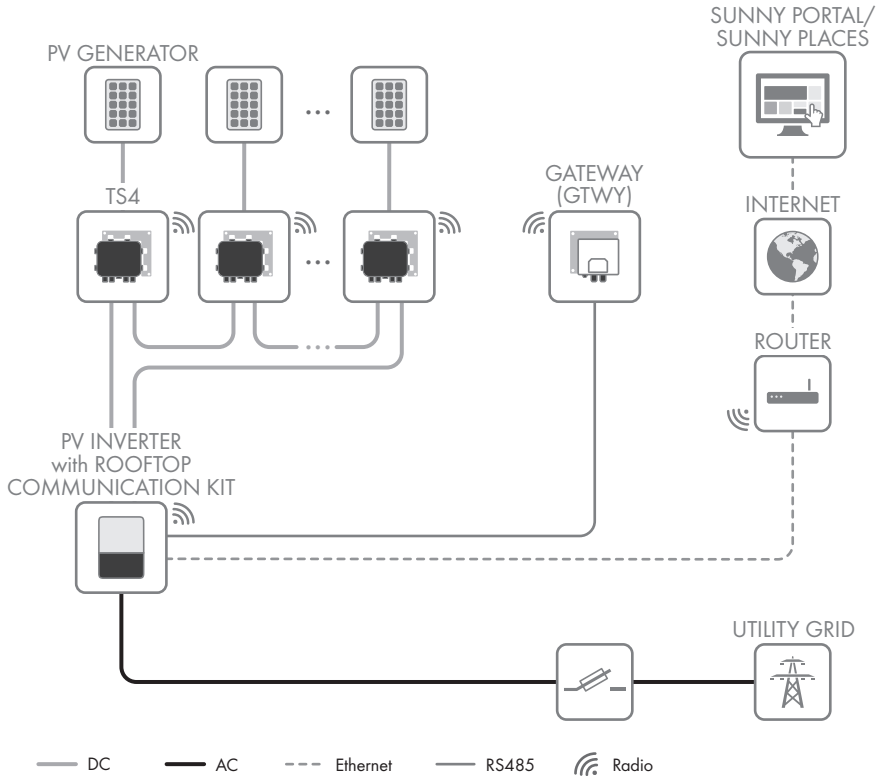


Figure 1 : System overview

The SMA Rooftop Communication Kit must only be installed in the following SMA inverters with a firmware version higher than 2.03.61.R:

- Sunny Boy 3.0-US
- Sunny Boy 3.8-US
- Sunny Boy 5.0-US
- Sunny Boy 6.0-US
- Sunny Boy 7.0-US
- Sunny Boy 7.7-US

The inverter still complies with the standard after the product has been installed.

The product is approved for the US and Canadian market.

All components must remain within their permitted operating ranges and their installation requirements at all times.

Use this product only in accordance with the information provided in the enclosed documentation and with the locally applicable standards and directives. Any other application may cause personal injury or property damage.

Alterations to the product, e.g. changes or modifications, are only permitted with the express written permission of SMA. Unauthorized alterations will void guarantee and warranty claims and in most cases terminate the operating license. SMA shall not be held liable for any damage caused by such changes.

Any use of the product other than that described in the Intended Use section does not qualify as the intended use.

The enclosed documentation is an integral part of this product. Keep the documentation in a convenient place for future reference and observe all instructions contained therein.

2.2 IMPORTANT SAFETY INSTRUCTIONS

SAVE THESE INSTRUCTIONS

This section contains safety information that must be observed at all times when working on or with the product.

The product has been designed and tested in accordance with international safety requirements. As with all electrical or electronical devices, there are residual risks despite careful construction. To prevent personal injury and property damage and to ensure long-term operation of the product, read this section carefully and observe all safety information at all times.

DANGER

Danger to life due to electric shock when live components or cables of the inverter are touched

High voltages are present in the conductive components or cables of the inverter. Touching live parts and cables of the inverter results in death or lethal injuries due to electric shock.

- Disconnect the inverter from voltage sources and make sure it cannot be reconnected before working on the device.
- Wear suitable personal protective equipment for all work on the product.
- Do not touch non-insulated parts or cables.

CAUTION

Increased electromagnetic radiation through the antenna

During operation, the antenna produces an electromagnetic field and can interfere with other devices (e.g., pacemakers) due to electromagnetic interference.

- Persons must not remain closer than 20 cm (8 in) to the antenna for long periods of time.

NOTICE**Damage to the enclosure seal in subfreezing conditions**

If you open the inverter when temperatures are below freezing, the enclosure seals can be damaged. This can lead to moisture entering the inverter.

- Only open the inverter if the ambient temperature is not below 0°C (32°F).
- If a layer of ice has formed on the enclosure seal when temperatures are below freezing, remove it prior to opening the inverter (e.g. by melting the ice with warm air). Observe the applicable safety regulations.

NOTICE**Damage to the product due to sand, dust and moisture ingress**

Sand, dust and moisture penetration can damage the product and impair its functionality.

- Close tightly all enclosure openings.
- Only use listed rain-tight or liquid-tight conduit fittings to attach the conduits to the product.

NOTICE**Damage to communication assembly in the inverter due to an interruption in the voltage supply during the firmware update**

The firmware update to a version higher than 2.03.61.R may take approx. 30 minutes. The inverter must be continually supplied with voltage for the entire course of the firmware update.

- Ensure that the inverter is supplied with voltage during the firmware update to a version higher than 2.03.61.R.

NOTICE**Damage to the inverter or product due to electrostatic discharge**

Touching electronic components can cause damage to or destroy the inverter or the product through electrostatic discharge.

- Ground yourself before touching any component.

i After installation of the Rooftop Communication Kit, the secure power supply operation is no longer supported.

The Rooftop Communication Kit supports the Rapid Shutdown function. A rapid shutdown is triggered in the event of a grid failure or an interruption of the AC supply of the inverter. Thus the supply of the outlet for secure power supply operation is no longer possible.

- If a switch and an outlet for secure power supply operation are connected to the inverter, the connections for the secure power supply operation have to be removed from the inverter before installation of the Rooftop Communication Kit:
 - Disconnect the inverter from all voltage sources (see inverter manual).
 - Remove the conductors of the outlet for secure power supply operation from the terminal block **SPS**. To release the conductors from the terminals, open the terminals with a flat-blade screwdriver (blade width: 3.5 ° mm (0.14 ° in)).
 - Screw out the screws from the **SPS** terminal block using a flat-blade screwdriver (blade width: 3.5 mm (0.14 in)) and pull the terminal block out of the slot.
 - Remove the equipment grounding conductor of the outlet for secure power supply operation from the equipment grounding terminal. To do this, remove the screw (TX 25) and remove the equipment grounding conductor from the inverter; screw each screw back in (TX 25).
 - For secure power supply operation, remove the plug with the switch conductors from the **SPS** slot of the communication assembly.
 - Pull all conductors for secure power supply operation out of the inverter and uninstall the switch and outlet of secure power supply operation.

i Electrical installations (only applies to North America)

All electrical installations must be carried out in accordance with the local standards and the *National Electrical Code*® ANSI/NFPA 70 or the *Canadian Electrical Code*® CSA C22.1.

- Before connecting the inverter to the utility grid, contact your local grid operator. The electrical connection of the inverter must be carried out by qualified persons only.
- Ensure that no cables used for electrical connection are damaged.

3 Scope of Delivery

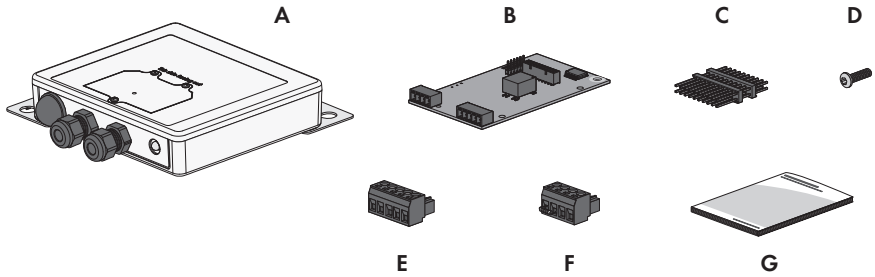


Figure 2 : Components included in the scope of delivery

Position	Quantity	Designation
A	1	Gateway
B	1	Module
C	1	20-pole pin strip for mounting the module
D	1	Fastening screw (M5, TX 25)
E	1	5-pole terminal block for connecting the Gateway
F	1	4-pole terminal block including 6.8 kOhm resistance in the terminal points 1 and 2.
G	1	Installation manual

4 Mounting

4.1 Mounting position

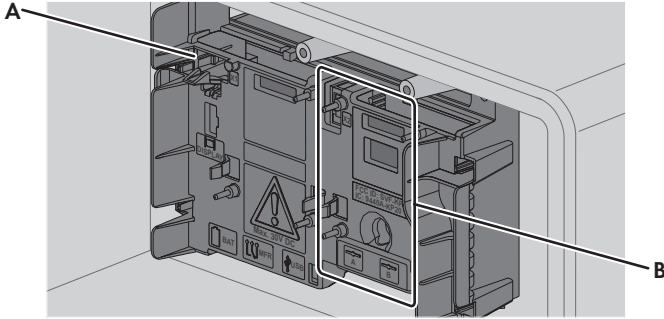


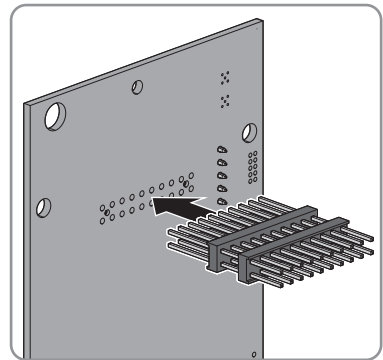
Figure 3 : Communication assembly in the inverter with mounting position for the module

Position	Designation
A	Communication assembly
B	Module slot M2

4.2 Installing the Module

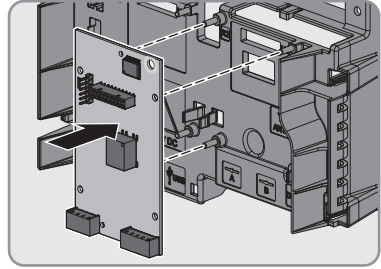
Procedure:

1. Remove the enclosure lid of the DC Connection Unit. Unscrew all screws (TX25) and remove the enclosure lid towards the front.
2. Set the screws and the enclosure lid aside and store safely.
3. Plug the 20-pin connector with the long pin side into the socket terminal strip on the back of the module.

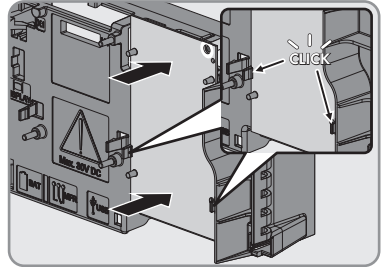


4. Plug the module into the module slot **M2**. Perform the following steps:

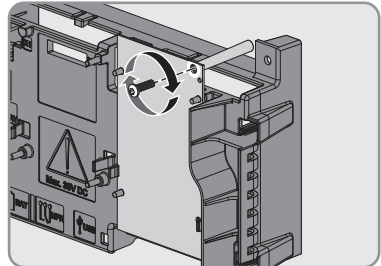
- Guide the three guide pins on the communication assembly through the holes in the module.



- Carefully push the module down on the upper edge and on the connection sockets until it audibly snaps into both side locking tabs of the communication assembly. The plug on the back of the module is automatically pushed into the socket terminal strip of the communication assembly.



5. Tighten the fastening screw (TX25, torque: 1.5 Nm (13 in-lb)). This additionally fixes the module in place and grounds it in the inverter enclosure.



5 Connection

5.1 Connecting the Gateway

Requirements:

- If several Gateways are present in the system, these have to be connected to each other prior connection to the module in the inverter.
- A maximum of three Gateways can be connected to one module in the inverter.
- A terminator must be plugged into the last gateway in the row.

Cabling plan of the Gateways:

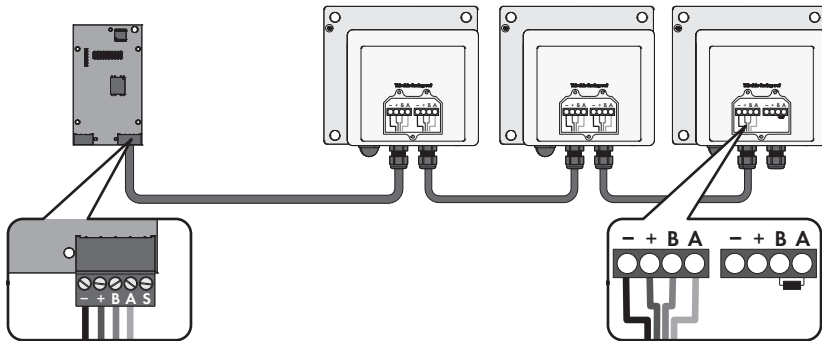
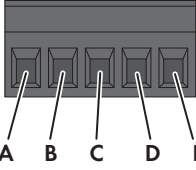


Figure 4 : Cabling plan of the Gateways with module in the inverter

Cable requirements for the communication cable between Gateway and inverter:

- Number of conductors: 4
- Conductor cross-section: at least 0.22 mm² (24 AWG)
- Maximum external diameter: 8 mm (0.31 in)
- Maximum cable length: 305 m (1000 ft)
- The conductors should be twisted pairs if the total length of the communication cable exceeds 61 m (200 ft).
- The conductors should be shielded if the cable is laid in a nonmetallic cable raceway.
- UV-resistant for outdoor use
- The conductors lengths in the inverter must be as short as possible. This prevents contact with live conductors.
- If the conductor is to be installed without conduit, the conductor has to be suited for outdoor use.
- If the conductor is to be installed in a conduit together with live conductors, the conductor has to be insulated for 600 V.

Assignment of the terminal block:

Terminal block	Clamping position	Assignment
	A	-
	B	+
	C	B
	D	A
	E	S (Shield)

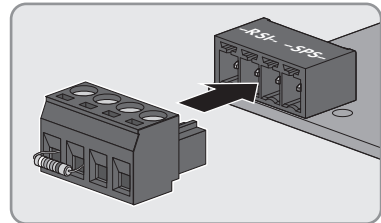
Procedure:

- If the conductor is installed in a separate conduit, mount the conduit to the enclosure opening:
 - Remove the sealing plugs from the network connection opening on the inverter.
 - Insert the conduit fitting into the opening and tighten from the inside using the counter nut.
 - Attach the conduit to the conduit fitting.
- Guide the conductors from the conduit into the inverter. In the process, install the conductors in the inverter such that they do not come into contact with AC conductor.
- Strip off the conductor insulation by 7 mm (0.28 in).
- In the case of fine stranded wire, provide the conductors with a bootlace ferrule.

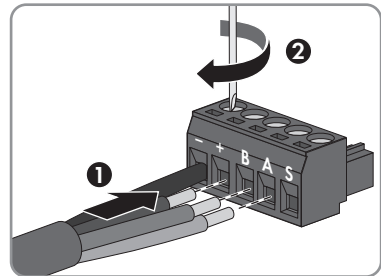
5. **i The terminal block with resistor must be inserted for proper operation.**

If the terminal block with resistor is not inserted, the system will not function properly.

- Plug the 4-pole terminal block with inserted resistor into the jack **RSI/SPS** on the module.

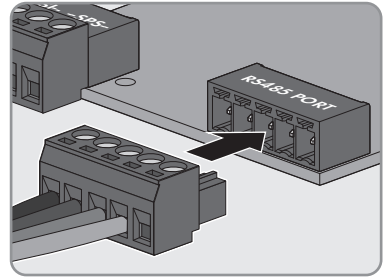


- Connect the conductors to the terminal points of the terminal block in accordance with the labeling and tighten the screw terminals with the screwdriver.



- Ensure that the conductors sit securely in the terminal point of the terminal block.

8. Plug the terminal block into the jack **RS485** on the module.



6 Commissioning the Rooftop Communication Kit

i Limited view of the data in Sunny Portal due to incorrect router configuration

Due to an incorrect router configuration, the view of system data in Sunny Portal or in Sunny Places is only possible to a limited extent. For unlimited access to system data in Sunny Portal or in Sunny Places, the router must be configured as described in the following.

- Carrying out router configuration for outgoing connections: Permit access to UDP port 1024-65000 and TCP port 443.

Procedure:

1. Commission the inverter (see inverter manual).
2. Activate the user interface of the inverter (see the inverter manual).
3. Start the installation assistant (see the inverter manual).
4. Select the step **Configuration of module technology** and fill out the individual tabs. In the last step **Status**, check the correct configuration.
5. Checking the Rapid Shutdown function of the TS4-R components:
 - Ensure that the inverter feeds into the utility grid.
 - Turn off the AC circuit breaker. As a result, the Rapid Shutdown function is tripped.
 - Measure voltage on the DC inputs of the inverter or watch the display or the LEDs. The Rapid Shutdown function works properly when the voltage drops to < 30 V within 30 seconds and the display and LEDs have gone out after 90 seconds. If the voltage is > 30 V and the display and LEDs have not gone out after 90 seconds, the Rapid Shutdown function is not working properly and the system should not be put into operation. In this case, check the installation.
6. Register the system in Sunny Portal and detect the TS4-R components in Sunny Portal (www.SunnyPortal.com).

7 Disposing of the Product

- Dispose of the product in accordance with the locally applicable disposal regulations for electronic waste.

8 Contact

If you have technical problems with our products, please contact the SMA Service Line. The following data is required in order to provide you with the necessary assistance:

- Inverters:
 - Serial number
 - Firmware version
 - Special country-specific settings (if available)
- Detailed description of the problem

United States	SMA Solar Technology America LLC Rocklin, CA	Toll free for USA and US Territories +1 877-MY-SMATech (+1 877-697-6283) International: +1 916 625-0870
Canada	SMA Solar Technology Canada Inc. Mississauga	Toll free for Canada / Sans frais pour le Canada : +1 877-MY-SMATech (+1 877-697-6283)
México	SMA Solar Technology de México Mexico City	Internacional: +1 916 625-0870

9 Compliance Information

FCC Compliance

This device complies with Part 15 of the FCC Rules and with Industry Canada licence-exempt RSS standard(s).

Operation is subject to the following two conditions:

1. this device may not cause harmful interference, and
2. this device must accept any interference received, including interference that may cause undesired operation.

Le présent appareil est conforme aux CNR d'Industrie Canada applicables aux appareils radio exempts de licence.

L'exploitation est autorisée aux deux conditions suivantes :

1. l'appareil ne doit pas produire de brouillage, et
2. l'utilisateur de l'appareil doit accepter tout brouillage radioélectrique subi, même si le brouillage est susceptible d'en compromettre le fonctionnement.

NOTE: This equipment has been tested and found to comply with the limits for a Class B digital device, pursuant to Part 15 of the FCC Rules. These limits are designed to provide reasonable protection against harmful interference in a residential installation. This equipment generates, uses and can radiate radio frequency energy and, if not installed and used in accordance with the instructions, may cause harmful interference to radio communications. However, there is no guarantee that interference will not occur in a particular installation. If this equipment does cause harmful interference to radio or television reception, which can be determined by turning the equipment off and on, the user is encouraged to try to correct the interference by one or more of the following measures:

- Reorient or relocate the receiving antenna.
- Increase the separation between the equipment and receiver.
- Connect the equipment into an outlet on a circuit different from that to which the receiver is connected.
- Consult the dealer or an experienced radio/TV technician for help.

Changes or modifications made to this equipment not expressly approved by SMA Solar Technology America LLC may void the FCC authorization to operate this equipment.

Disposiciones legales

Queda prohibida la reproducción total o parcial de este documento, así como su almacenamiento en un sistema de recuperación y toda transmisión electrónica, mecánica, fotográfica, magnética o de otra índole sin previa autorización por escrito de SMA Solar Technology America, LLC.

Ni SMA Solar Technology America, LLC ni SMA Solar Technology Canada Inc. establecen representaciones, ni expresas ni implícitas, con respecto a estas instrucciones o a cualquiera de los equipos o softwares aquí descritos, incluyendo (sin limitación) cualquier garantía implícita en cuanto a utilidad, mercantilidad o aptitud para cualquier propósito particular. Tales garantías quedan expresamente denegadas. Ni SMA Solar Technology America, LLC ni sus distribuidores o vendedores, ni SMA Solar Technology Canada Inc. ni sus distribuidores o vendedores serán responsables por ningún daño indirecto, incidental o resultante, bajo ninguna circunstancia.

La exclusión de garantías implícitas puede no ser aplicable en todos los casos según algunos estatutos, y por tanto la exclusión mencionada anteriormente puede no ser aplicable.

Las especificaciones están sujetas a cambios sin previo aviso. Se ha tratado por todos los medios de hacer que este documento sea completo y preciso y esté actualizado. Sin embargo, advertimos a los lectores que SMA Solar Technology America, LLC y SMA Solar Technology Canada Inc. se reservan el derecho de cambiar estas especificaciones sin previo aviso o conforme con las condiciones del existente contrato de entrega si lo consideran adecuado para optimizar el producto y su uso. SMA no será responsable por ningún daño, ya sea indirecto, incidental o resultante, como consecuencia de confiar en el material que se presenta, incluyendo, aunque no exclusivamente, omisiones, errores tipográficos, aritméticos o de listado en el material del contenido.

Marcas registradas

Se reconocen todas las marcas registradas, incluso si no están señaladas por separado. La falta de señalización no implica que la mercancía o las marcas sean libres.

SMA Solar Technology America LLC

6020 West Oaks Blvd.

Suite 300 Rocklin, CA 95765 U.S.A.

SMA Solar Technology Canada Inc.

2425 Matheson Blvd. E

7th Floor

Mississauga, ON L4W 5K4

Canada

Versión: 07/06/2018

Copyright © 2018 SMA Solar Technology America LLC. Reservados todos los derechos.

Advertencias generales

ADVERTENCIA

Todas las instalaciones eléctricas deben realizarse conforme a la normativa local vigente y al código *National Electrical Code*® ANSI/NFPA 70 o al *Canadian Electrical Code*® CSA C22.1. Este documento no sustituye en ningún caso, ni tiene la pretensión de hacerlo, a cualquier legislación, reglamento o norma regional, federal, provincial o estatal aplicables a la instalación y el uso del producto; en especial, a las normas vigentes relativas a la seguridad eléctrica. La instalación debe llevarse a cabo de conformidad con la legislación, las disposiciones, los reglamentos y las normas vigentes en el lugar. SMA no asume responsabilidad alguna relativa al cumplimiento o al incumplimiento de la legislación o las disposiciones relacionadas con la instalación del producto.

El producto no contiene ningún componente sobre el que el usuario deba realizar labores de mantenimiento.

Para realizar cualquier trabajo de reparación y mantenimiento, el equipo debe enviarse siempre a un centro técnico aprobado por SMA.

Antes de la instalación y el manejo del producto, lea todas las indicaciones y advertencias de estas instrucciones.

El cableado del producto solo puede llevarlo a cabo un especialista.

Índice

1	Indicaciones sobre este documento	24
1.1	Área de validez.....	24
1.2	Grupo de destinatarios.....	24
1.3	Contenido y estructura del documento.....	24
1.4	Símbolos del documento	24
1.5	Marcas de texto en el documento.....	25
2	Seguridad	26
2.1	Uso previsto.....	26
2.2	Indicaciones importantes para la seguridad.....	27
3	Contenido de la entrega.....	30
4	Montaje	31
4.1	Posición de montaje.....	31
4.2	Instalación del módulo	31
5	Conexión.....	33
5.1	Conexión de la Gateway.....	33
6	Puesta en servicio del Rooftop Communication Kit.....	36
7	Eliminación del producto	37
8	Contacto	38
9	Información de cumplimiento	39

1 Indicaciones sobre este documento

1.1 Área de validez

Este documento es válido para:

- RoofCommKit-P2-US (SMA Rooftop Communication Kit)

1.2 Grupo de destinatarios

Las actividades descritas en este documento deben realizarlas exclusivamente especialistas que han de contar con esta cualificación:



- Conocimientos sobre los procedimientos y el funcionamiento de un inversor
- Formación sobre la gestión de peligros y riesgos relativos a la instalación, reparación y manejo de equipos eléctricos y plantas
- Formación profesional para la instalación y la puesta en marcha de equipos eléctricos y plantas
- Conocimiento de las leyes, normativas y directivas aplicables
- Conocimiento y seguimiento de este documento y de todas sus indicaciones de seguridad

1.3 Contenido y estructura del documento

Este documento describe la instalación de accesorios autorizados en un producto SMA.

Las imágenes en este documento han sido reducidas a lo esencial y pueden diferir del producto original.

1.4 Símbolos del documento

Símbolo	Explicación
	Información importante para un tema u objetivo concretos, aunque no relevante para la seguridad
	Ejemplo
<input type="checkbox"/>	Requisito necesario para alcanzar un objetivo determinado
<input checked="" type="checkbox"/>	Resultado deseado
x	Posible problema

1.5 Marcas de texto en el documento

Marca de texto	Uso	Ejemplo
Negrita	<ul style="list-style-type: none"> • Avisos • Conexiones • Elementos de una interfaz de usuario • Elementos que deben seleccionarse • Elementos que deben introducirse 	<ul style="list-style-type: none"> • Conecte los conductores a los bornes de X703:1 a X703:6. • Introduzca 10 en el campo Minutos.
>	<ul style="list-style-type: none"> • Une varios elementos que deben seleccionarse. 	<ul style="list-style-type: none"> • Seleccione Ajustes > Fecha.
[Botón]	<ul style="list-style-type: none"> • Botones o teclas que deben seleccionarse o pulsarse 	<ul style="list-style-type: none"> • Seleccione [Enter].
[Tecla]		

2 Seguridad

2.1 Uso previsto

El SMA Rooftop Communication Kit es un kit de conmutación para los componentes de la técnica modular TS4. Das SMA Rooftop Communication Kit permite la conexión directa del inversor con el Gateway.

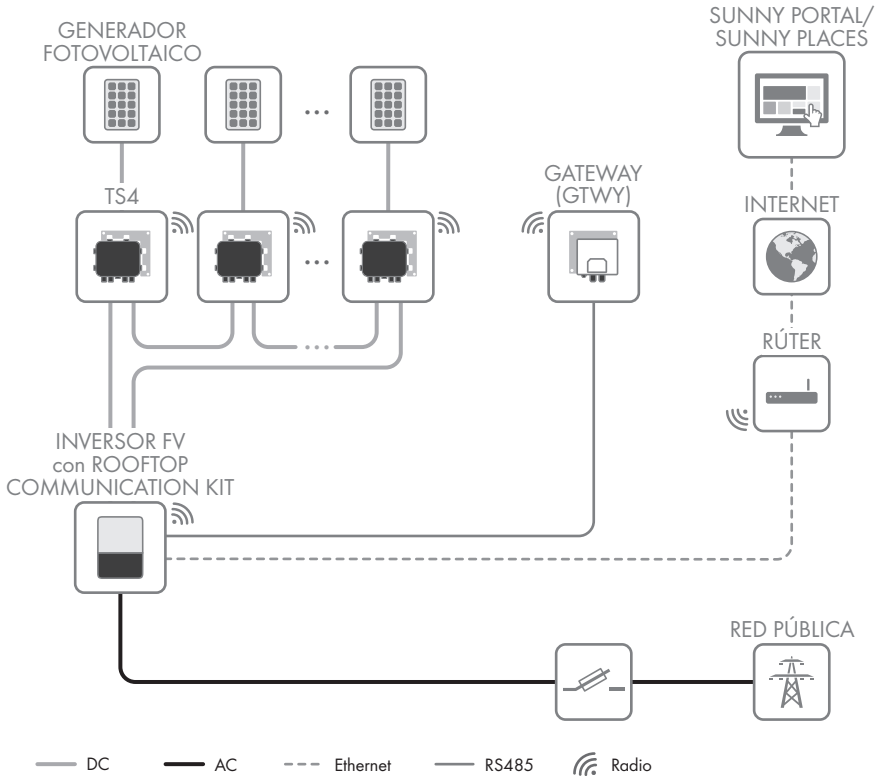


Imagen 1 : Vista general del sistema

El SMA Rooftop Communication Kit solo se debe instalar en estos inversores de SMA con la versión de firmware superior a 2.03.61.R:

- Sunny Boy 3.0-US
- Sunny Boy 3.8-US
- Sunny Boy 5.0-US
- Sunny Boy 6.0-US
- Sunny Boy 7.0-US
- Sunny Boy 7.7-US

Después del montaje del producto, este sigue siendo conforme a las normas.

El producto está autorizado para el mercado de EE. UU. y Canadá.

Deben respetarse en todo momento el rango de funcionamiento admisible y los requisitos de instalación de todos los componentes.

Utilice siempre el producto de acuerdo con las indicaciones de la documentación adjunta y observe las normativas y directivas locales vigentes. Cualquier otro uso puede causarle lesiones al usuario o daños materiales.

Para realizar cualquier intervención en el producto, como modificaciones o remodelaciones, deberá contar con el permiso expreso y por escrito de SMA. Los cambios no autorizados conllevan la pérdida de los derechos de garantía, así como la extinción de la autorización de operación. Queda excluida la responsabilidad de SMA por los daños derivados de dichos cambios.

Cualquier uso del producto distinto al descrito en el uso previsto se considerará inadecuado.

La documentación adjunta es parte integrante del producto. La documentación debe leerse, observarse y guardarse en un lugar accesible en todo momento.

2.2 Indicaciones importantes para la seguridad

Conservar instrucciones

Este capítulo contiene indicaciones de seguridad que deben observarse siempre en todos los trabajos que se realizan en el producto y con el producto.

Este producto se ha construido en cumplimiento de los requisitos internacionales relativos a la seguridad. A pesar de estar cuidadosamente contruidos, existe un riesgo residual como con todos los equipos eléctricos. Para evitar daños personales y materiales y garantizar el funcionamiento permanente del producto, lea detenidamente este capítulo y cumpla siempre las indicaciones de seguridad.

PELIGRO

Peligro de muerte por descarga eléctrica por contacto con componentes conductores de tensión o cables del inversor

En los componentes conductores o cables del inversor existen altas tensiones. El contacto con componentes conductores de tensión o cables del inversor puede causar la muerte o lesiones mortales por descarga eléctrica.

- Antes de cualquier trabajo, desconecte el inversor y asegure el producto contra cualquier reconexión accidental.
- Utilice equipamientos de protección personal adecuado cuando realice trabajos en el producto.
- No toque piezas o cables conductores de tensión descubiertos.

⚠ ATENCIÓN

Radiación electromagnética aumentada por la antena

Durante el funcionamiento, la antena crea un campo electromagnético y puede causar perturbaciones en otros equipos (p. ej. marcapasos) por emisión de interferencias.

- Las personas no deben permanecer prolongadamente a menos 20 cm (8 in) de la antena.

PRECAUCIÓN

Daños en la junta de la carcasa en caso de congelación

Si abre el inversor en caso de congelación, puede dañarse la junta de la carcasa. Esto puede hacer que penetre humedad en el inversor.

- Abra el inversor únicamente si la temperatura ambiente no es inferior a 0 °C (32 °F).
- Si tiene que abrir el inversor en condiciones de congelación, elimine antes de hacerlo cualquier posible formación de hielo en la junta de la carcasa (por ejemplo, derritiéndolo con aire caliente). Al hacerlo, tenga en cuenta las normas de seguridad.

PRECAUCIÓN

Daños en el producto provocados por arena, polvo y humedad

Si penetra arena, polvo y humedad, el producto podría resultar dañado y sus funciones podrían verse limitadas.

- Cierre herméticamente todas las aberturas en la carcasa.
- Para fijar los conductos para cables al producto utilice solamente manguitos con certificación resistentes a la lluvia o humedad.

PRECAUCIÓN

Daños del subgrupo de comunicación debido a la interrupción del suministro de tensión durante la actualización del firmware

La actualización del firmware en una versión superior a 2.03.61.R puede durar más de 30 minutos. Durante la actualización del firmware el inversor debe recibir continuamente tensión.

- Asegúrese de que el inversor reciba tensión durante la actualización del firmware a una versión superior a 2.03.61.R.

PRECAUCIÓN

Daños en el inversor o el producto por descarga electrostática

Si toca componentes electrónicos, puede dañar o destruir el inversor o el producto debido a una descarga electrostática.

- Póngase a tierra antes de tocar cualquier componente.

i Después de la instalación del Rooftop Communication Kit, deja de ser compatible el funcionamiento de corriente de emergencia

El Rooftop Communication Kit es compatible con la función Rapid Shutdown. El Rapid Shutdown se dispara en caso de apagón o interrupción de la alimentación de CA del inversor. De esta manera la alimentación de una toma de pared para el funcionamiento de corriente de emergencia no es posible.

- Si al inversor hay conectados un interruptor y una toma de pared para el funcionamiento de corriente de emergencia, las conexiones para el funcionamiento de corriente de emergencia deben retirarse del inversor antes de la instalación del Rooftop Communication Kit:
 - Desconecte el inversor de la tensión (consulte las instrucciones del inversor).
 - Retire de la caja de bornes **SPS** los conductores para el funcionamiento de corriente de emergencia. Para soltar los conductores de los bornes, abra los bornes con un destornillador plano (hoja: 3,5 mm [0,14 in]).
 - Desenrosque los tornillos de la caja de bornes **SPS** con un destornillador plano (hoja: 3,5 mm [0,14 in]) y extraiga la caja de bornes de la ranura.
 - Retire del terminal de puesta a tierra del equipo el conductor de puesta a tierra del equipo de la toma de pared para funcionamiento de corriente de emergencia. Para ello, suelte el tornillo (TX 25) y extraiga el conductor de puesta a tierra del equipo del inversor y vuelva a colocar el tornillo (TX 25).
 - Extraiga el conector con los conductores del interruptor para funcionamiento de corriente de emergencia de la ranura **SPS** del subgrupo de comunicación.
 - Saque del inversor todos los conductores para funcionamiento de corriente de emergencia y desinstale el interruptor y la toma de pared para funcionamiento de corriente de emergencia.

i Instalaciones eléctricas (sólo es válido para América del Norte)

Todas las instalaciones eléctricas deben realizarse conforme a la normativa local vigente y al código *National Electrical Code*® ANSI/NFPA 70 o al *Canadian Electrical Code*® CSA C22.1.

- Antes de realizar la conexión eléctrica del inversor a la red pública, póngase en contacto con su operador de red en el lugar. La conexión eléctrica del inversor únicamente puede realizarla personal especializado.
- Es necesario asegurarse de que los cables utilizados en la conexión eléctrica no estén dañados.

3 Contenido de la entrega

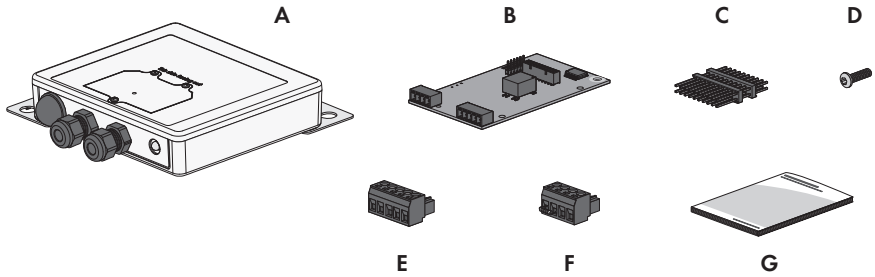


Imagen 2 : Componentes del contenido de la entrega

Posición	Cantidad	Denominación
A	1	Gateway
B	1	Módulo
C	1	Regleta de clavijas de 20 polos para el montaje del módulo
D	1	Tornillo de fijación (M5, TX 25)
E	1	Caja de bornes de 5 polos para la conexión de los Gateway
F	1	Caja de bornes de 4 polos con 6,8 kOhm de resistencia en los puntos de embornaje 1 y 2
G	1	Instrucciones de instalación

4 Montaje

4.1 Posición de montaje

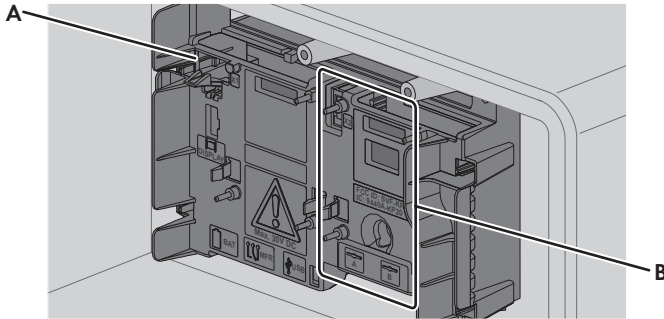


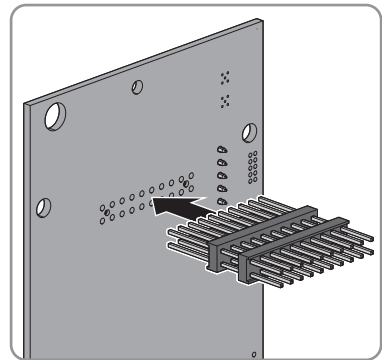
Imagen 3 : Subgrupo de comunicación del inversor con posición de montaje para el módulo

Posición	Denominación
A	Subgrupo de comunicación
B	Ranura del módulo M2

4.2 Instalación del módulo

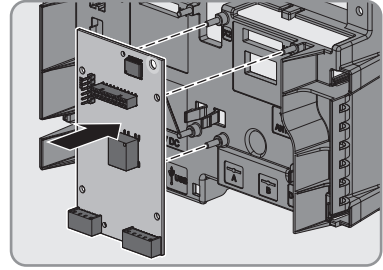
Procedimiento:

1. Desmonte la tapa de la carcasa de la Connection Unit CC. Suelte todos los tornillos (TX 25) y retire la tapa de la carcasa con cuidado tirando de ella hacia adelante.
2. Aparte y guarde en un lugar seguro la tapa de la carcasa y los tornillos.
3. Inserte la regleta de clavijas de 20 polos con la parte larga de la clavija en la regleta de bornes en la parte trasera del módulo.

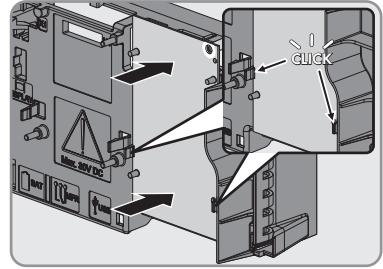


4. Instale el módulo en la ranura **M2**. Para ello, lleve a cabo estos pasos:

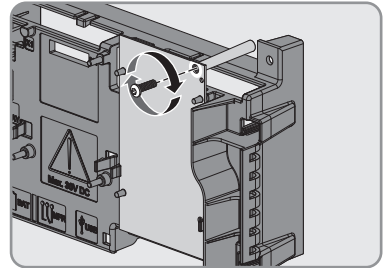
- Conduzca los tres pasadores de guía del subgrupo de comunicación por de los orificios del módulo.



- Cuidadosamente, empuje el módulo hacia abajo por el borde superior y por las hembrillas de conexión, hasta que se encaje en los dos ganchos de retención laterales del subgrupo de comunicación. De esta forma se aprieta automáticamente el conector a la parte trasera del módulo en la regleta de hembrillas del subgrupo de comunicación.



5. Apriete el tornillo de fijación (TX 25, par de apriete: 1,5 Nm (13-in-lb)). Esto aporta al módulo una fijación adicional y lo conecta a tierra en la carcasa del inversor.



5 Conexión

5.1 Conexión de la Gateway

Requisitos:

- Si hay disponibles varios Gateway en la instalación, estas deben conectarse entre sí antes de conectarse al módulo del inversor.
- Al inversor no deben conectarse más de 3 Gateway en cada módulo.
- En el último Gateway de la fila debe conectarse un terminador.

Asignación del cableado de los Gateway:

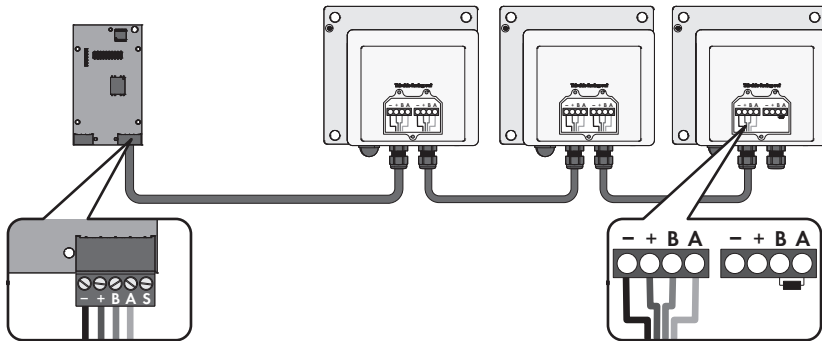
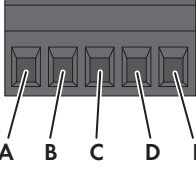


Imagen 4 : Asignación del cableado de los Gateway con el módulo en el inversor:

Requisitos del cableado en el cable de datos para la comunicación entre el Gateway y el inversor:

- Número de conductores: 4
- Sección del conductor: al menos 0,22 mm² (24 AWG)
- Diámetro exterior máximo: 8 mm (0,31 in)
- Longitud máxima del cable: 305 m (1000 ft)
- Los conductores deberán estar retorcidos, si la longitud total del cable de datos supera los 61 m (200 ft).
- El conductor debe ser apantallado, si el cable está tendido en una canaleta no metálica.
- Resistente a los rayos UV para aplicaciones exteriores
- La longitud de los conductores en los inversores debe ser lo más reducida posible. De esta manera se evita el contacto físico con conductores que llevan corriente.
- Si se desea tender el conductor sin conducto para cables, el conductor debe estar dimensionado para su empleo en exteriores.
- Si se desea tender el conductor en un conducto para cables junto con conductores que llevan corriente, el conductor debe estar aislado para 600 V.

Asignación de la caja de bornes:

Caja de bornes	Punto de conexión	Asignación
	A	-
	B	+
	C	B
	D	A
	E	S (Shield)

Procedimiento:

- Si se desea tender el conductor en un conducto para cables propio, este último debe montarse en la abertura de la carcasa:
 - Saque el sellador de la abertura del inversor destinada a la conexión de red.
 - Introduzca el manguito en la abertura y colóquelo desde el interior con la contratuerca.
 - Fije el conducto para cables al manguito.

2. Introduzca los conductores en el inversor a través del conducto para cables. Tienda los conductores en el inversor de manera que no toquen los conductores de CA.

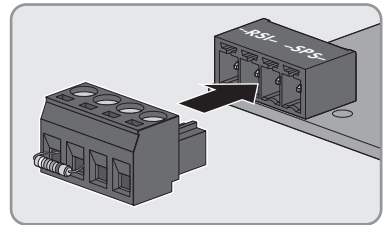
3. Pele 7 mm (0,28 in) de los conductores.

4. En los cordones finos, remate los conductores con una virola.

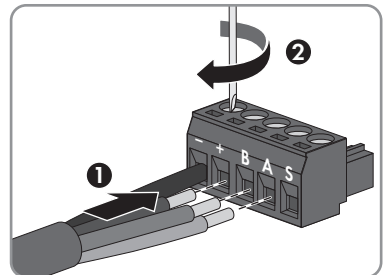
- i** Para el correcto funcionamiento, la caja de bornes debe conectarse con resistencia

Si la caja de borne no es conectada con resistencia, no está asegurado el funcionamiento óptimo del sistema.

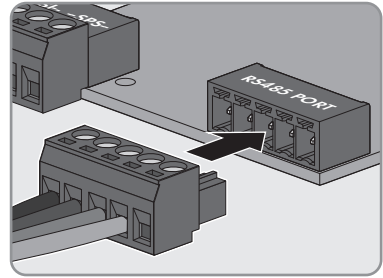
- Inserte en el módulo una caja de bornes de cuatro polos con resistencia fijada en un conector hembra **RS485**.



- En función de su rotulación, conecte los conductores a los puntos de embornaje de la caja de bornes y apriete los bornes roscados con el destornillador.



7. Asegúrese de que los conductores estén bien fijados en los puntos de embornaje de la caja de bornes.
8. Inserte en el módulo una caja de bornes en un conector hembra **RS485**.



6 Puesta en servicio del Rooftop Communication Kit

i Indicación limitada de datos en el Sunny Portal por la falta de configuración de router

Por la falta de configuración de router, la visualización de datos de la planta en el Sunny Portal o en Sunny Places solo será posible de manera limitada. Para poder visualizar sin límite los datos de la planta en el Sunny Portal o en Sunny Places, el router tiene que estar configurado según se describe a continuación.

- Efectuar la configuración de router para las conexiones salientes: permitir el acceso acceso a los puertos UDP 1024-65000 y TCP 443.

Procedimiento:

1. Ponga en funcionamiento el inversor (consulte las instrucciones del inversor).
2. Abra la interfaz de usuario del inversor (consulte las instrucciones del inversor).
3. Inicie el asistente de instalación (consulte las instrucciones del inversor).
4. Seleccione el paso **Configuración de tecnología de módulos** complete cada pestaña y compruebe en el último paso **Estado** la configuración correcta.
5. Compruebe la función de Rapid Shutdown de los componentes TS4-R:
 - Asegúrese de que el inversor esté inyectando energía a la red pública.
 - Desconecte el disyuntor de CA. De este modo, se dispara la función de Rapid Shutdown.
 - Mida la tensión en la entradas de CC del inversor u observe la pantalla y los led. El Rapid Shutdown funciona, si la tensión ha descendido dentro de 30 segundos a < 30 V y se hayan apagado la pantalla y los led después de 90 segundos. Si la tensión es > 30 V y no se han apagado la pantalla y los led después de 90 segundos, el Rapid Shutdown no funciona y el sistema no debe ser puesto en funcionamiento. En este caso, compruebe la instalación
6. Registre la instalación en Sunny Portal y registre los componentes TS4-R en el Sunny Portal (www.SunnyPortal.com).

7 Eliminación del producto

- Deseche el producto conforme a las disposiciones vigentes sobre eliminación de residuos electrónicos.

8 Contacto

Si surge algún problema técnico con nuestros productos, póngase en contacto con el Servicio Técnico de SMA. Para ayudarle de forma eficaz, necesitamos que nos facilite estos datos:

- Inversor:
 - Número de serie
 - Versión de firmware
 - Ajustes especiales específicos del país (en su caso)
- Descripción detallada del problema

United States	SMA Solar Technology America LLC Rocklin, CA	Toll free for USA and US Territories +1 877-MY-SMATech (+1 877-697-6283) International: +1 916 625-0870
Canada	SMA Solar Technology Canada Inc. Mississauga	Toll free for Canada / Sans frais pour le Canada : +1 877-MY-SMATech (+1 877-697-6283)
México	SMA Solar Technology de México Mexico City	Internacional: +1 916 625-0870

9 Información de cumplimiento

FCC Compliance

This device complies with Part 15 of the FCC Rules and with Industry Canada licence-exempt RSS standard(s).

Operation is subject to the following two conditions:

1. this device may not cause harmful interference, and
2. this device must accept any interference received, including interference that may cause undesired operation.

Le présent appareil est conforme aux CNR d'Industrie Canada applicables aux appareils radio exempts de licence.

L'exploitation est autorisée aux deux conditions suivantes :

1. l'appareil ne doit pas produire de brouillage, et
2. l'utilisateur de l'appareil doit accepter tout brouillage radioélectrique subi, même si le brouillage est susceptible d'en compromettre le fonctionnement.

NOTE: This equipment has been tested and found to comply with the limits for a Class B digital device, pursuant to Part 15 of the FCC Rules. These limits are designed to provide reasonable protection against harmful interference in a residential installation. This equipment generates, uses and can radiate radio frequency energy and, if not installed and used in accordance with the instructions, may cause harmful interference to radio communications. However, there is no guarantee that interference will not occur in a particular installation. If this equipment does cause harmful interference to radio or television reception, which can be determined by turning the equipment off and on, the user is encouraged to try to correct the interference by one or more of the following measures:

- Reorient or relocate the receiving antenna.
- Increase the separation between the equipment and receiver.
- Connect the equipment into an outlet on a circuit different from that to which the receiver is connected.
- Consult the dealer or an experienced radio/TV technician for help.

Changes or modifications made to this equipment not expressly approved by SMA Solar Technology America LLC may void the FCC authorization to operate this equipment.

Dispositions légales

Aucune partie du présent document ne peut être reproduite, stockée dans un système d'extraction de données ou transmise par quelque moyen que ce soit (électroniquement, mécaniquement, par photocopie ou par enregistrement) sans l'accord écrit préalable de SMA Solar Technology America, LLC.

SMA Solar Technology America, LLC et SMA Solar Technology Canada Inc. ne font aucune déclaration ni ne donnent aucune garantie, explicite ou implicite, concernant l'ensemble de la documentation ou les logiciels et accessoires qui y sont décrits, incluant, sans limitation, toutes garanties légales implicites relatives au caractère marchand et à l'adéquation d'un produit à un usage particulier. De telles garanties sont expressément exclues. Ni SMA Solar Technology America, LLC, ni SMA Solar Technology Canada Inc. et leurs revendeurs respectifs ne sauraient et ce, sous aucune circonstance, être tenues responsables en cas de pertes ou de dommages directs, indirects ou accidentels.

L'exclusion susmentionnée des garanties implicites peut ne pas être applicable à tous les cas.

Les spécifications peuvent être modifiées sans préavis. Tous les efforts ont été mis en œuvre pour que ce document soit élaboré avec le plus grand soin et tenu aussi à jour que possible. SMA Solar Technology America, LLC et/ou SMA Solar Technology Canada Inc. avertissent toutefois les lecteurs qu'elles se réservent le droit d'apporter des modifications aux présentes spécifications sans préavis ou conformément aux dispositions du contrat de livraison existant, dès lors qu'elles jugent de telles modifications opportunes à des fins d'amélioration du produit ou d'expériences d'utilisation. SMA décline toute responsabilité pour d'éventuelles pertes ou d'éventuels dommages indirects ou accidentels causés par la confiance placée dans le présent matériel, comprenant notamment les omissions, les erreurs typographiques, les erreurs arithmétiques ou les erreurs de listage dans le contenu de la documentation.

Marques déposées

Toutes les marques déposées sont reconnues, y compris dans les cas où elles ne sont pas explicitement signalées comme telles. L'absence de l'emblème de la marque ne signifie pas qu'un produit ou une marque puisse être librement commercialisé(e).

SMA Solar Technology America LLC

6020 West Oaks Blvd.

Suite 300 Rocklin, CA 95765 U.S.A.

SMA Solar Technology Canada Inc.

2425 Matheson Blvd. E

7th Floor

Mississauga, ON L4W 5K4

Canada

État actuel : 07/06/2018

Copyright © 2018 SMA Solar Technology America LLC. Tous droits réservés.

Mises en garde générales

AVERTISSEMENT

Toutes les installations électriques doivent être réalisées conformément aux normes électriques en vigueur sur le site et au *National Electrical Code*® ANSI/NFPA 70 ou au *Canadian Electrical Code*® CSA C22.1. Ce document ne remplace pas et n'a pas pour objet de remplacer les législations, prescriptions ou normes régionales, territoriales, provinciales, nationales ou fédérales s'appliquant à l'installation et à l'utilisation du produit, notamment les normes en vigueur relatives à la sécurité électrique. L'installation doit être réalisée conformément aux législations, dispositions, prescriptions et normes en vigueur sur place. SMA décline toute responsabilité pour la conformité ou non-conformité à ces législations ou dispositions en relation avec l'installation du produit.

Le produit ne contient aucun composant devant faire l'objet de mesures de maintenance par l'opérateur.

Pour toutes les opérations de réparation et de maintenance, l'appareil doit systématiquement être renvoyé à un centre de services agréé par SMA.

Avant l'installation et l'utilisation du produit, lisez toutes les instructions et mises en garde figurant dans les présentes instructions.

Le câblage du produit doit être effectué uniquement par du personnel qualifié.

Table des matières

1	Remarques relatives à ce document.....	43
1.1	Champ d'application	43
1.2	Groupe cible	43
1.3	Contenu et structure du document	43
1.4	Symboles utilisés dans le document.....	43
1.5	Formats utilisés dans le document.....	44
2	Sécurité.....	45
2.1	Utilisation conforme	45
2.2	Consignes de sécurité importantes	46
3	Contenu de la livraison.....	49
4	Montage.....	50
4.1	Position de montage	50
4.2	Installation du module.....	50
5	Raccordement.....	52
5.1	Raccordement de la Gateway	52
6	Mise en service du Rooftop Communication Kit.....	55
7	Élimination du produit.....	56
8	Contact	57
9	Informations sur le respect des spécifications	58

1 Remarques relatives à ce document

1.1 Champ d'application

Ce document est valable pour les :

- RoofCommKit-P2-US (SMA Rooftop Communication Kit)

1.2 Groupe cible



Les opérations décrites dans le présent document doivent uniquement être réalisées par un personnel qualifié. Ce dernier doit posséder les qualifications suivantes :

- Connaissances relatives au mode de fonctionnement et à l'exploitation d'un onduleur
- Formation au comportement à adopter face aux dangers et risques encourus lors de l'installation, la réparation et la manipulation d'appareils et installations électriques
- Formation à l'installation et à la mise en service des appareils et installations électriques
- Connaissance des lois, normes et directives pertinentes
- Connaissance et respect du présent document avec toutes les consignes de sécurité

1.3 Contenu et structure du document

Ce document décrit le montage et l'installation d'accessoires autorisés dans un produit SMA. Les illustrations du présent document sont réduites aux détails essentiels et peuvent différer du produit réel.

1.4 Symboles utilisés dans le document

Symbole	Explication
	Information importante sur un thème ou un objectif précis, mais ne relevant pas de la sécurité
	Exemple :
<input type="checkbox"/>	Condition qui doit être remplie pour atteindre un objectif précis
<input checked="" type="checkbox"/>	Résultat souhaité
<input checked="" type="checkbox"/>	Problème susceptible de survenir

1.5 Formats utilisés dans le document

Format	Utilisation	Exemple
gras	<ul style="list-style-type: none"> • Messages • Raccordements • Éléments d'une interface utilisateur • Éléments devant être sélectionnés • Éléments devant être saisis 	<ul style="list-style-type: none"> • Raccorder les conducteurs isolés aux bornes X703:1 à X703:6. • Saisissez 10 dans le champ Minutes.
>	<ul style="list-style-type: none"> • Associe plusieurs éléments que vous devez sélectionner 	<ul style="list-style-type: none"> • Sélectionnez Réglages > Date.
[Bouton] [Touche]	<ul style="list-style-type: none"> • Bouton ou touche que vous devez sélectionner ou actionner 	<ul style="list-style-type: none"> • Sélectionnez [Enter].

2 Sécurité

2.1 Utilisation conforme

Le SMA Rooftop Communication Kit est un kit de communication pour les composants de technique modulaire TS4. Le SMA Rooftop Communication Kit permet de connecter directement l'onduleur à la Gateway.

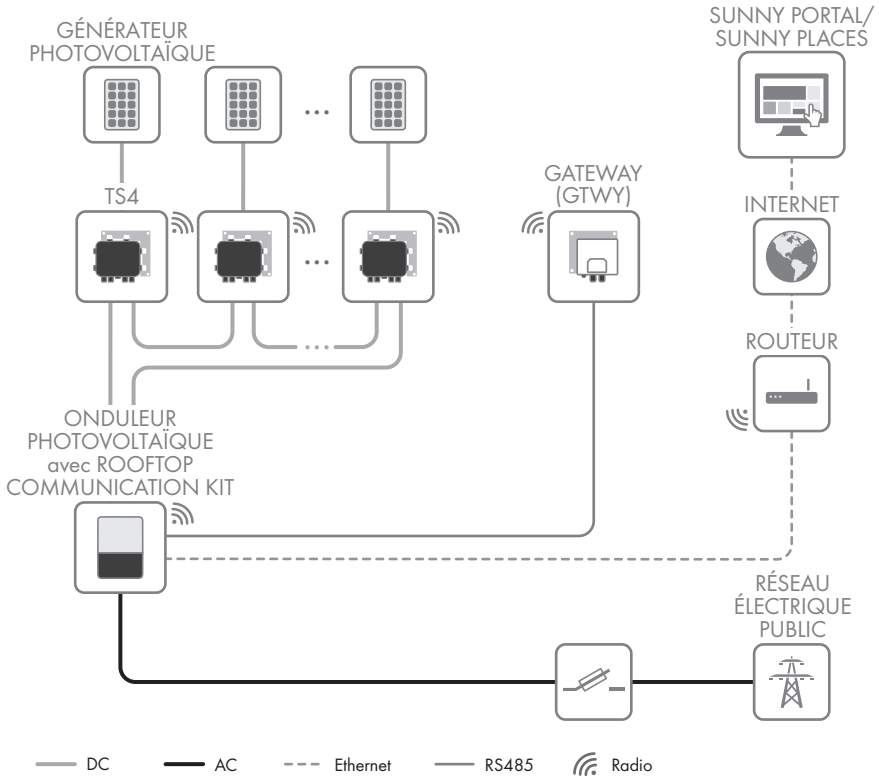


Figure 1 : Vue d'ensemble du système

Le SMA Rooftop Communication Kit doit uniquement être installé dans les onduleurs SMA suivants avec version du micrologiciel supérieure à 2.03.61.R :

- Sunny Boy 3.0-US
- Sunny Boy 3.8-US
- Sunny Boy 5.0-US
- Sunny Boy 6.0-US
- Sunny Boy 7.0-US
- Sunny Boy 7.7-US

Après l'intégration du produit dans l'onduleur, la conformité normative continue d'être assurée.

Le produit est homologué pour les marchés américain et canadien.

La plage de fonctionnement autorisée et les exigences pour les installations de tous les composants doivent être respectées en toutes circonstances.

Utilisez ce produit exclusivement en conformité avec la documentation fournie ainsi qu'avec les normes et directives en vigueur sur le site. Tout autre usage peut compromettre la sécurité des personnes ou entraîner des dommages matériels.

Les interventions sur le produit (modifications ou transformations, par exemple) ne sont autorisées qu'après accord écrit de SMA. Toute intervention non autorisée entraîne l'annulation de la garantie légale et commerciale et, en règle générale, le retrait de l'autorisation d'exploitation. SMA décline toute responsabilité en cas de dommages résultant d'une telle intervention.

Toute utilisation du produit différente de celle décrite dans l'utilisation conforme est considérée comme non conforme.

Les documents joints font partie intégrante du produit. Les documents doivent être lus, respectés et rester accessibles à tout moment.

2.2 Consignes de sécurité importantes

Conserver ces instructions

Ce chapitre contient les consignes de sécurité qui doivent être respectées lors de tous les travaux effectués sur et avec le produit.

Le produit a été conçu et testé conformément aux exigences de sécurité internationale. En dépit d'un assemblage réalisé avec le plus grand soin, comme pour tout appareil électrique/électronique, il existe des risques résiduels. Lisez ce chapitre attentivement et respectez en permanence toutes les consignes de sécurité pour éviter tout dommage corporel et matériel, et garantir un fonctionnement durable du produit.

DANGER

Danger de mort par choc électrique en cas de contact avec des composants conducteurs ou des câbles de l'onduleur

Les composants conducteurs ou les câbles de l'onduleur sont soumis à de hautes tensions. Le contact avec des composants conducteurs ou des câbles de l'onduleur peut entraîner la mort ou des blessures mortelles due à un choc électrique.

- Mettez hors tension l'onduleur et sécurisez-le avant toute intervention.
- Portez toujours un équipement de protection individuelle adapté lors de toute intervention sur le produit.
- Ne touchez pas aux composants conducteurs ou aux câbles dénudés.

ATTENTION

Rayonnement électromagnétique élevé émis par l'antenne

Lorsqu'elle est en service, l'antenne produit un champ électromagnétique et peut perturber d'autres appareils (stimulateurs cardiaques, par exemple) en raison d'émissions parasites.

- Personne ne doit rester durablement dans un rayon inférieur à 20 cm (8 in) de l'antenne.

PRUDENCE**Risque d'endommagement du joint du boîtier en raison du gel**

Si vous ouvrez l'onduleur quand il gèle, le joint pourra être endommagé. De l'humidité peut donc pénétrer dans l'onduleur.

- N'ouvrez l'onduleur que si la température ambiante n'est pas inférieure à 0 °C (32 °F).
- Si vous devez ouvrir l'onduleur quand il gèle, éliminez tout d'abord la glace qui a pu s'accumuler sur le joint du boîtier (par exemple en la faisant fondre avec de l'air chaud). Respectez pour cela les consignes de sécurité correspondantes.

PRUDENCE**Endommagement du produit par pénétration de sable, de poussière et d'humidité**

La pénétration de sable, de poussière et d'humidité dans le produit peut endommager celui-ci ou altérer son fonctionnement.

- Obturez hermétiquement toutes les ouvertures de boîtier.
- Pour fixer les tuyaux à câbles sur le produit, utilisez uniquement des manchons étanches à l'eau ou résistants à l'humidité listés.

PRUDENCE**Endommagement du groupe de communication dans l'onduleur par l'interruption de l'alimentation en tension pendant la mise à jour du micrologiciel**

La mise à jour du micrologiciel vers une version supérieure à 2.03.61.R dure plus de 30 minutes. L'onduleur doit être alimenté constamment en tension pendant la mise à jour du micrologiciel.

- Assurez-vous que l'onduleur est alimenté en tension pendant la mise à jour du micrologiciel vers une version supérieure à 2.03.61.R.

PRUDENCE**Endommagement de l'onduleur ou du produit par une décharge électrostatique**

En touchant les composants électroniques, vous pouvez endommager, voire détruire l'onduleur ou le produit par décharge électrostatique.

- Reliez-vous à la terre avant de toucher un composant.

i Le mode d'alimentation de secours n'est plus supporté après le montage du Rooftop Communication Kit

Le Rooftop Communication Kit supporte la fonction Rapid Shutdown. En cas de panne du réseau ou d'une coupure de la tension AC de l'onduleur, la fonction Rapid Shutdown est déclenchée. L'alimentation d'une prise de courant pour le mode d'alimentation de secours n'est donc plus assurée.

- Lorsqu'un interrupteur et une prise de courant pour l'alimentation de secours sont raccordés à l'onduleur, les raccordements pour le mode d'alimentation de secours doivent être retirés de l'onduleur avant l'installation du Rooftop Communication Kit :
 - Mettez l'onduleur hors tension (voir instructions de l'onduleur).
 - Retirez les conducteurs de la prise de courant pour le mode d'alimentation de secours de la plaque à bornes **SPS**. Pour retirer les conducteurs des bornes, ouvrez les bornes à l'aide d'un tournevis à fente (largeur de lame : 3,5 mm (0,14 in)).
 - Desserrez les vis de la plaque à bornes **SPS** à l'aide d'un tournevis à fente (largeur de lame : 3,5 mm (0,14 in)) et retirez la plaque à bornes du port.
 - Retirez le conducteur de mise à la terre de l'équipement de la prise de courant pour le mode d'alimentation de secours du terminal de mise à la terre de l'équipement. Pour cela, desserrez la vis (TX 25) et retirez le conducteur de mise à la terre de l'équipement de l'onduleur, puis resserrez la vis (TX 25).
 - Extrayez la fiche avec les conducteurs de l'interrupteur pour le mode d'alimentation de secours du port **SPS** du groupe de communication.
 - Faites sortir tous les conducteurs pour le mode d'alimentation de secours de l'onduleur et désinstallez l'interrupteur et la prise de courant pour le mode d'alimentation de secours.

i Installations électriques (valable uniquement pour l'Amérique du Nord)

Toutes les installations électriques doivent être réalisées conformément aux normes électriques en vigueur sur le site et au *National Electrical Code*® ANSI/NFPA 70 ou au *Canadian Electrical Code*® CSA C22.1.

- Avant de réaliser le raccordement électrique de l'onduleur au réseau électrique public, adressez-vous à votre exploitant de réseau local. Le raccordement électrique de l'onduleur ne doit être effectué que par du personnel qualifié.
- Assurez-vous que les câbles utilisés pour le raccordement électrique ne soient pas endommagés.

3 Contenu de la livraison

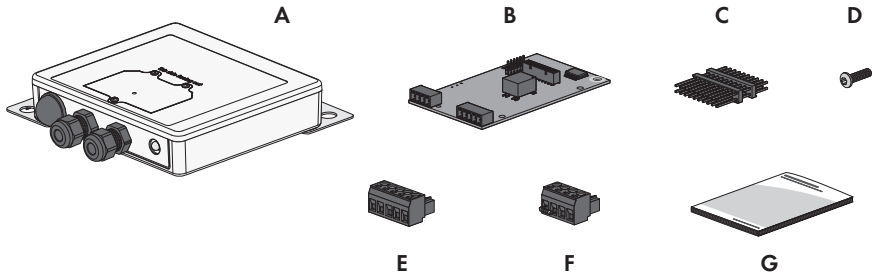


Figure 2 : Éléments du contenu de livraison

Position	Quantité	Désignation
A	1	Gateway
B	1	Module
C	1	Barrette à broches 20 pôles pour le montage du module
D	1	Vis de fixation (M5, TX 25)
E	1	Plaque à bornes 5 pôles pour le raccordement de la Gateway
F	1	Plaque à bornes 4 pôles avec une résistance de 6,8 kOhm dans les points de serrage 1 et 2
G	1	Instructions d'installation

4 Montage

4.1 Position de montage

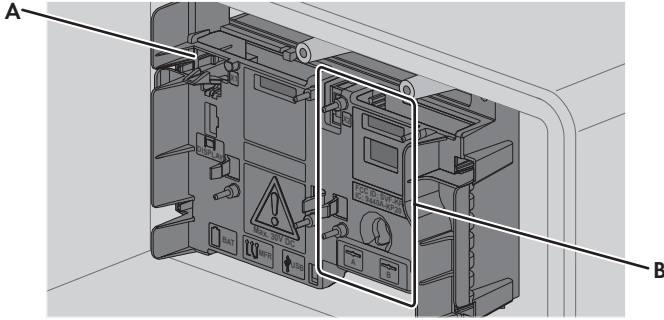


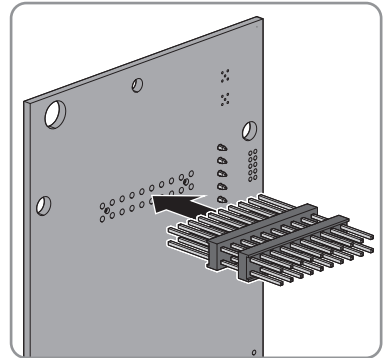
Figure 3 : Groupe de communication interne à l'onduleur, avec position de montage pour le module

Position	Désignation
A	Groupe de communication
B	Port du module M2

4.2 Installation du module

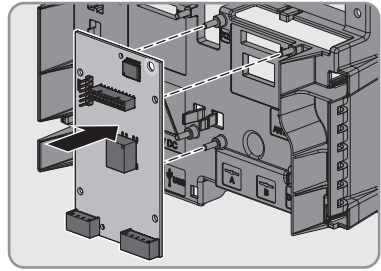
Procédure :

1. Démontez le couvercle du boîtier de la Connection Unit DC. Dévissez toutes les vis (TX25) et retirez le couvercle du boîtier en le tirant vers l'avant.
2. Mettez de côté les vis et le couvercle du boîtier et conservez-les en lieu sûr.
3. Enfichez la barrette à broches à 20 pôles avec le côté long dans la borne femelle située au dos du module.

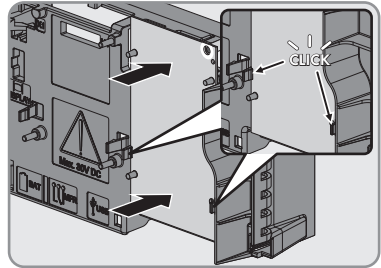


4. Installez le module sur le port du module **M2**. Exécutez pour ce faire les étapes suivantes :

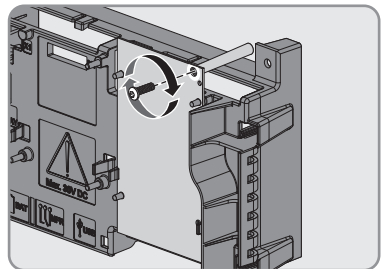
- Passez les trois axes de guidage situés sur le groupe de communication dans les trous du module.



- Appliquez le module en appuyant avec précaution sur le bord supérieur et sur les prises de raccordement jusqu'à ce que vous l'entendiez s'encliquer dans les deux ergots d'enclenchement du groupe de communication. La fiche située au dos du module s'enfonce automatiquement dans la borne femelle du groupe de communication.



5. Serrez la vis de fixation (TX 25, couple de serrage : 1,5 Nm (13 in-lb)). Le module dispose ainsi d'une fixation supplémentaire et est mis à la terre dans le boîtier de l'onduleur.



5 Raccordement

5.1 Raccordement de la Gateway

Conditions requises :

- Lorsqu'il y a plusieurs Gateway dans l'installation, celles-ci doivent être reliées les unes aux autres dans l'onduleur avant le raccordement au panneau photovoltaïque.
- Il est interdit de raccorder plus de 3 Gateway à un module dans l'onduleur.
- La résistance de terminaison doit être enfichée sur la dernière Gateway de la ligne.

Schéma de câblage des Gateway :

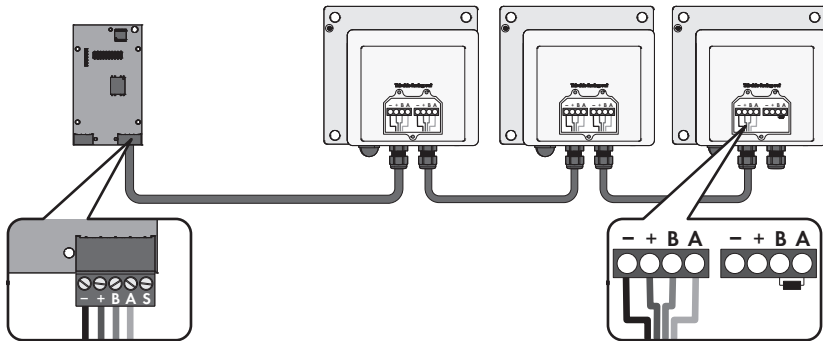
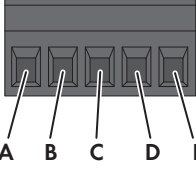


Figure 4 : Schéma de câblage des Gateway avec module dans l'onduleur

Exigences en matière de câbles de communication pour la communication entre la Gateway et l'onduleur :

- Nombre de conducteurs : 4
- Section de conducteur : au moins 0,22 mm² (24 AWG)
- Diamètre extérieur maximal : 8 mm (0,31 in)
- Longueur de câble maximale : 305 m (1000 ft)
- Les conducteurs doivent être à paires torsadées si la longueur totale du câble de communication dépasse 61 m (200 ft).
- Le conducteur doit être blindé si le câble est posé dans un caniveau non métallique.
- Résistant aux rayons UV en cas de pose en extérieur
- Les conducteurs à l'intérieur de l'onduleur doivent être aussi courts que possible. Vous évitez ainsi un contact avec les conducteur sous tension.
- Si vous prévoyez de poser le conducteur sans tuyau à câbles, le conducteur doit être adapté à la pose en extérieur.
- Si vous prévoyez de poser le conducteur avec des conducteurs sous tension dans un tuyau à câbles, le conducteur doit être isolé pour 600 V.

Affectation de la plaque à bornes :

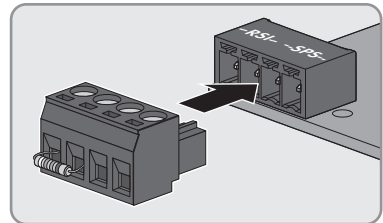
Plaque à bornes	Point de serrage	Affectation
	A	-
	B	+
	C	B
	D	A
	E	S (Shield)

Procédure :

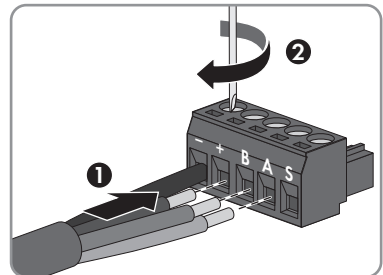
- Si le conducteur est posé dans son propre tuyau à câbles, montez le tuyau à câbles dans une ouverture de boîtier :
 - Retirez le bouchon d'étanchéité de l'ouverture pour le raccordement au réseau au niveau de l'onduleur.
 - Placez le manchon dans l'ouverture et serrez-le de l'intérieur avec le contre-écrou.
 - Fixez le tuyau à câbles au manchon.
- Faites passer les conducteurs dans l'onduleur à travers le tuyau à câbles. Posez les conducteurs dans l'onduleur de sorte qu'ils ne soient pas en contact avec les conducteurs AC.
- Dénudez les conducteurs sur 7 mm (0,28 in).
- En cas d'utilisation d'une tresse fine, placez un embout de câblage sur les conducteurs.
- i** **Pour obtenir un fonctionnement correct, la plaque à bornes avec résistance doit être enfichée.**

Si la plaque à bornes avec résistance n'est pas enfichée, le fonctionnement optimal n'est pas garanti.

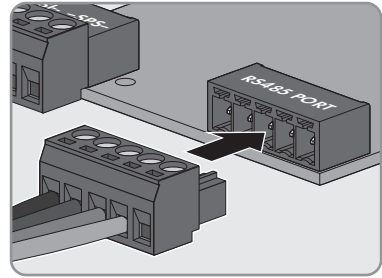
- Enfichez la plaque à bornes 4 pôles avec résistance enfichée dans l'embase **RSI/SPS** du module.



- Raccordez les conducteurs conformément à l'inscription aux plaques à bornes et serrez les bornes à vis à l'aide de tournevis.



7. Assurez-vous que les conducteurs sont bien serrés dans les points de serrage de la plaque à bornes.
8. Enfichez la plaque à bornes dans l'embase **RS485** du module.



6 Mise en service du Rooftop Communication Kit

i Affichage limité des données dans le Sunny Portal en raison d'une configuration incorrecte du routeur

En raison d'une configuration incorrecte du routeur, l'affichage des données de l'installation n'est possible que de manière limitée. Pour garantir un accès illimité aux données de l'installation dans le Sunny Portal et le Sunny Places, le routeur doit être configuré, comme indiqué ci-après.

- Configuration du routeur pour le réglage des connexions sortantes : Autoriser l'accès au port UDP 1024-65000 et le port TCP 443.

Procédure :

1. Mettez l'onduleur en service (voir les instructions de l'onduleur).
2. Lancez l'interface utilisateur de l'onduleur (voir les instructions de l'onduleur).
3. Lancez l'assistant d'installation (voir instructions de l'onduleur).
4. Sélectionnez l'étape **Configuration de la technologie de panneaux** et remplissez les champs dans des onglets séparés. À la dernière étape **État**, contrôlez si la configuration est correcte.
5. Contrôlez le fonctionnement Rapid Shutdown des composants TS4-R :
 - Assurez-vous que l'onduleur n'injecte pas d'énergie dans le réseau électrique public.
 - Coupez le disjoncteur miniature AC. Le fonctionnement Rapid Shutdown est ainsi déclenché.
 - Mesurez la tension aux entrées DC de l'onduleur ou tenez compte de l'écran et des DEL. Le fonctionnement Rapid Shutdown fonctionne correctement si la tension est diminuée à moins de 30 V dans un délai de 30 secondes et l'écran ainsi que les DEL sont éteintes après 90 secondes. Si la tension est supérieure à 30 V et l'écran ainsi que les DEL ne sont pas éteintes après 90 secondes, le fonctionnement Rapid Shutdown ne fonctionne pas et le système ne doit pas être mis en service. Dans ce cas, contrôlez l'installation.
6. Enregistrez l'installation sur le Sunny Portal et saisissez les composants TS4-R sur le Sunny Portal (www.SunnyPortal.com).

7 Élimination du produit

- Éliminez le produit conformément aux prescriptions d'élimination en vigueur pour les déchets d'équipements électriques et électroniques.

8 Contact

En cas de problèmes techniques concernant nos produits, prenez contact avec le Service en Ligne de SMA. Les données suivantes sont indispensables à une assistance ciblée :

- Onduleur :
 - Numéro de série
 - Version du micrologiciel
 - Réglages spéciaux régionaux (le cas échéant)
- Description détaillée du problème

United States	SMA Solar Technology America LLC Rocklin, CA	Toll free for USA and US Territories +1 877-MY-SMATech (+1 877-697-6283) International: +1 916 625-0870
Canada	SMA Solar Technology Canada Inc. Mississauga	Toll free for Canada / Sans frais pour le Canada : +1 877-MY-SMATech (+1 877-697-6283)
México	SMA Solar Technology de México Mexico City	Internacional: +1 916 625-0870

9 Informations sur le respect des spécifications

FCC Compliance

This device complies with Part 15 of the FCC Rules and with Industry Canada licence-exempt RSS standard(s).

Operation is subject to the following two conditions:

1. this device may not cause harmful interference, and
2. this device must accept any interference received, including interference that may cause undesired operation.

Le présent appareil est conforme aux CNR d'Industrie Canada applicables aux appareils radio exempts de licence.

L'exploitation est autorisée aux deux conditions suivantes :

1. l'appareil ne doit pas produire de brouillage, et
2. l'utilisateur de l'appareil doit accepter tout brouillage radioélectrique subi, même si le brouillage est susceptible d'en compromettre le fonctionnement.

NOTE: This equipment has been tested and found to comply with the limits for a Class B digital device, pursuant to Part 15 of the FCC Rules. These limits are designed to provide reasonable protection against harmful interference in a residential installation. This equipment generates, uses and can radiate radio frequency energy and, if not installed and used in accordance with the instructions, may cause harmful interference to radio communications. However, there is no guarantee that interference will not occur in a particular installation. If this equipment does cause harmful interference to radio or television reception, which can be determined by turning the equipment off and on, the user is encouraged to try to correct the interference by one or more of the following measures:

- Reorient or relocate the receiving antenna.
- Increase the separation between the equipment and receiver.
- Connect the equipment into an outlet on a circuit different from that to which the receiver is connected.
- Consult the dealer or an experienced radio/TV technician for help.

Changes or modifications made to this equipment not expressly approved by SMA Solar Technology America LLC may void the FCC authorization to operate this equipment.

