

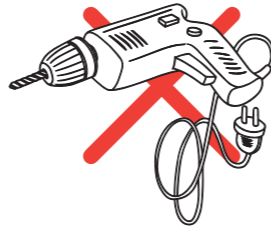
To deodorize the leather

leave the chair in a shady outside for 1-2 days.

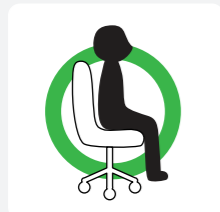


For longer use

Re-tighten bolts every 6 months by using the enclosed allen-key.
*Using an electric drill can damage the chair.
Please re-tighten bolts manually.



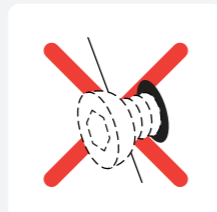
• Cautions



Use this product only for seating **one person** at a time



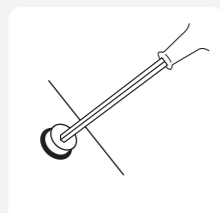
DO NOT use the chair unless all bolts, screws and knobs are tight



DO NOT use the chair if only components are missing or damaged



DO NOT stand on the chair use as a step stool or ladder



Regularly check all bolts, screws, and **knobs are tight**



Be careful, some of the part are **heavy** and has **sharped edge**



Failure to follow these warnings may cause **serious injury**

If there are any problems, do not hesitate to e-mail us. support@neochair.com

Enjoy your new favorite chair

Our goal is to create a perfect customer experience.
Let us know if you have any feedback.
Your comment motivates us to become a better team.



support@neochair.com

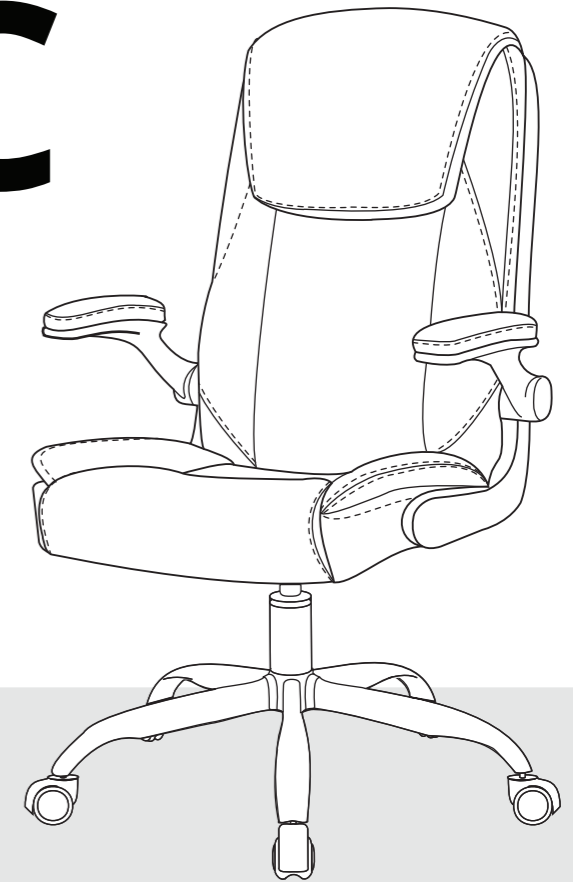
www.neochair.com

[@NEOCHAIR](https://www.facebook.com/NEOCHAIR)

[neochair_office](https://www.instagram.com/neochair_office)

H-PAC

ASSEMBLY INSTRUCTION



Contents

- Instructions
- User Manual
- Cautions

support@neochair.com

www.neochair.com

※Please make sure all the parts are included.

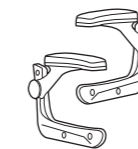
Missing parts? support@neochair.com



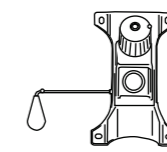
BACK X1



SEAT X1



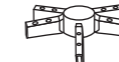
ARMREST X2



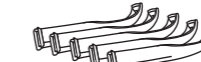
CONTROL MECHANISM X1



WHEEL X5



CENTRAL BASE X1



BASE LEG X5



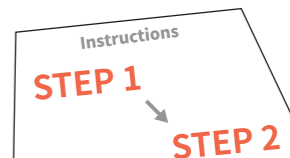
GAS LIFT CYLINDER X1

- (A) ARMREST X8
- (B) TILT X4
- (C) TILT WASHER X4
- (D) BASE X10
- (E) BOLT CAP X8
- (F) ALLEN KEY X1

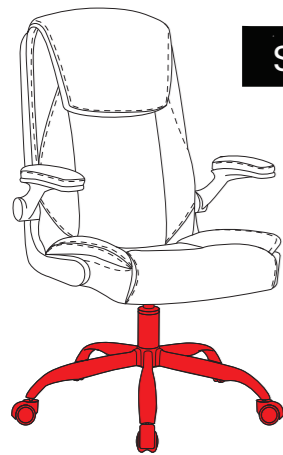
Read the instructions carefully.



Please follow the assembly steps.



• Instructions



STEP 1. BOTTOM

1

Insert the base legs into the central base so that the bolt holes are aligned and facing up.

3

Insert each **wheel** into the **base leg** while the base is still upside down.

2

Secure with **bolts**.
Make sure to fully tighten all 10 bolts.

4

Turn the base over.

5

Insert the gas lift cylinder.

7

Line up the armrest to the seat and loosely tighten with two bolts. Repeat on the other side.

• Instructions



STEP 2. TOP

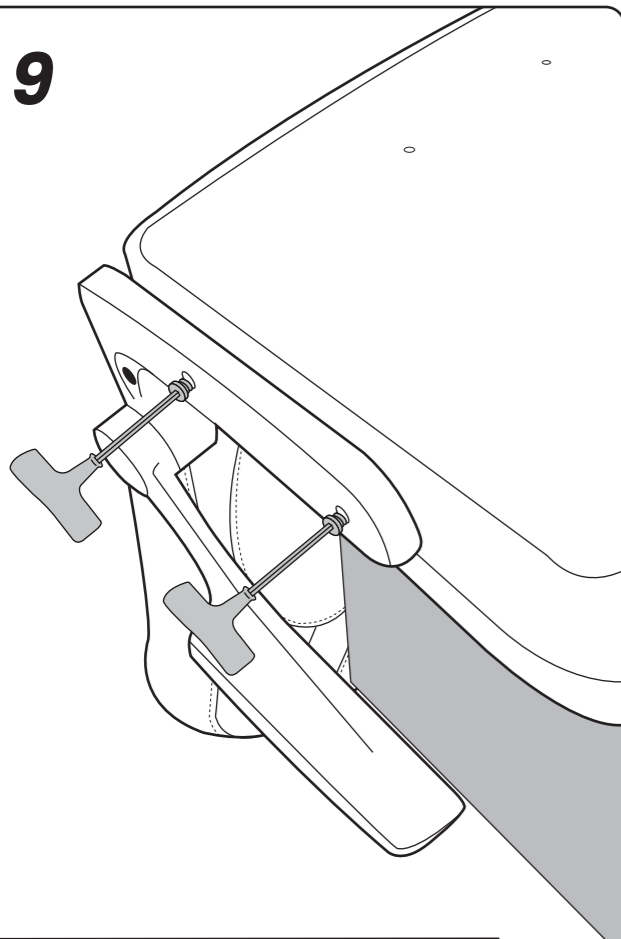
6

Place the seat on top of the box with the bottom side up.

8

Line up the back with the armrest and loosely tighten with two bolts. Repeat on the other side.

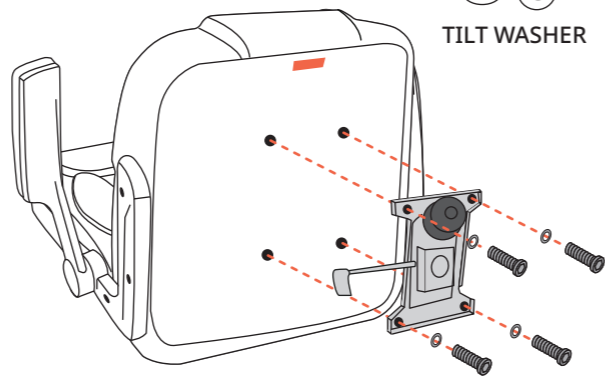
9



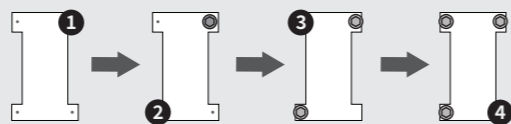
Once all of the armrests bolts are in place, fully tighten each bolt into place.

10

B
TILT BOLTS
C
TILT WASHER

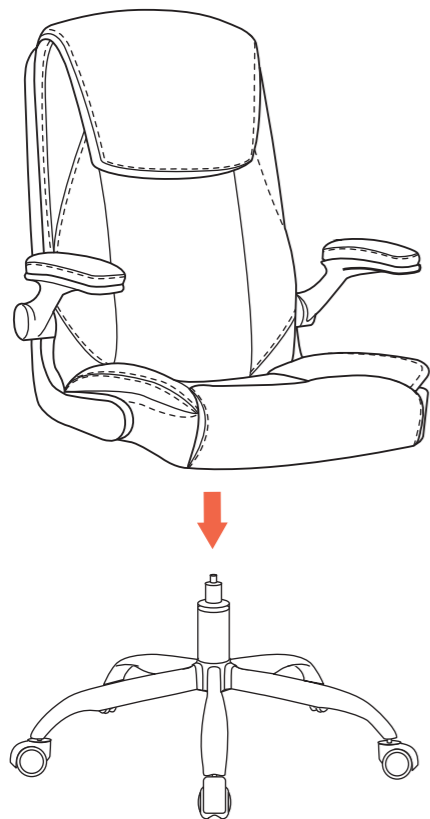


Order of bolts for better durability.



Put control mechanism at the bottom of the seat find the front sticker and tighten the bolts.

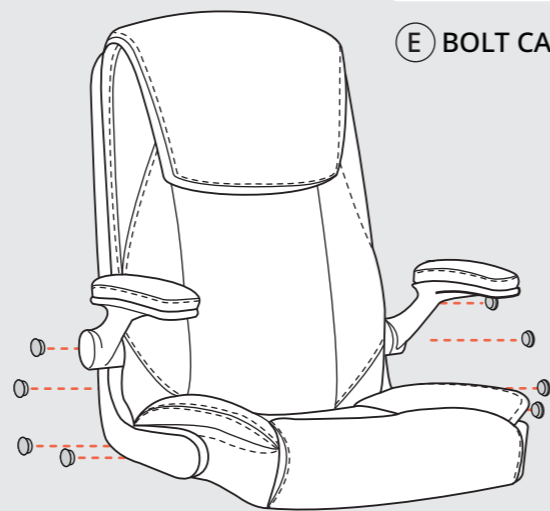
11



12

Optional insert

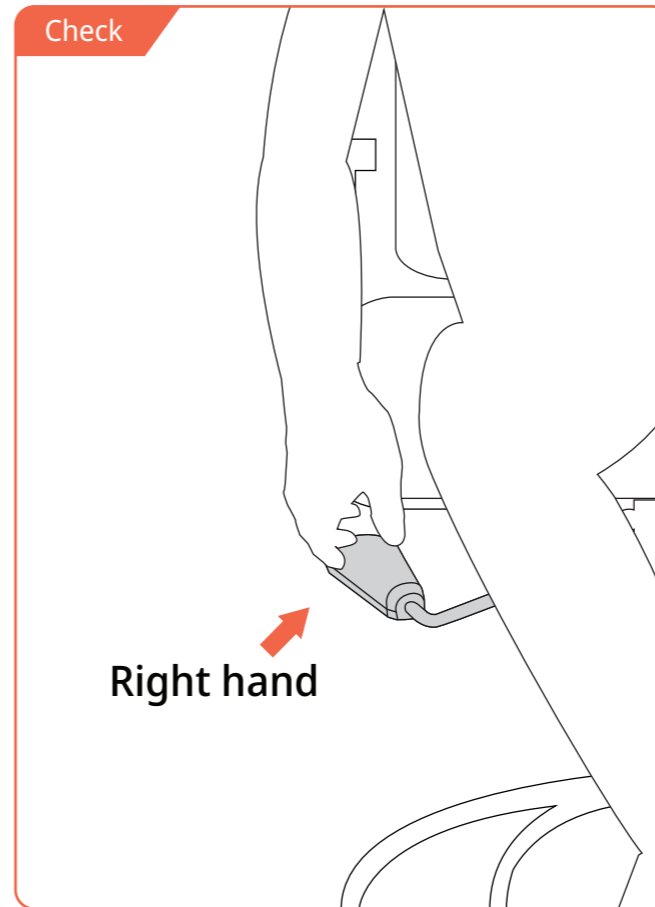
Bolt cap of your preference
E BOLT CAP



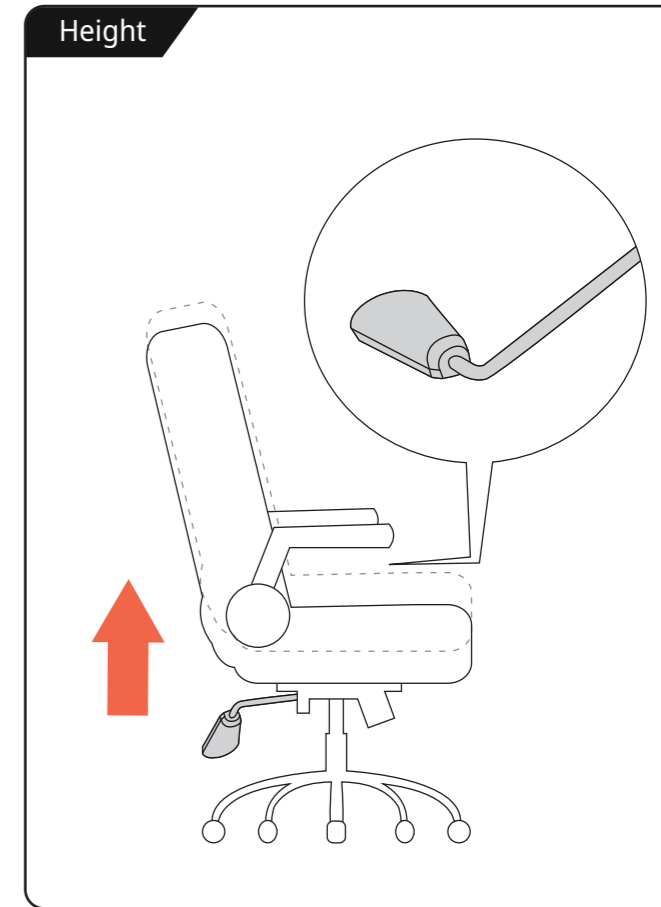
• User Manual

Check

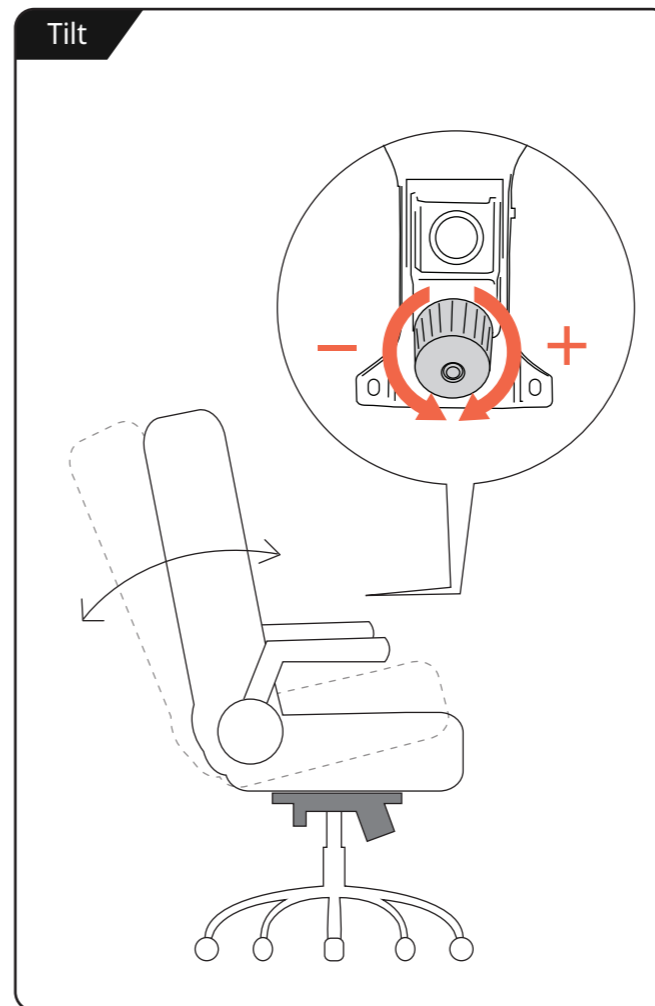
Right hand



Height



Tilt



Lock

