

CPSW / CPS ASSEMBLY INSTRUCTION

Contents

- Instructions
- User Manual
- Cautions

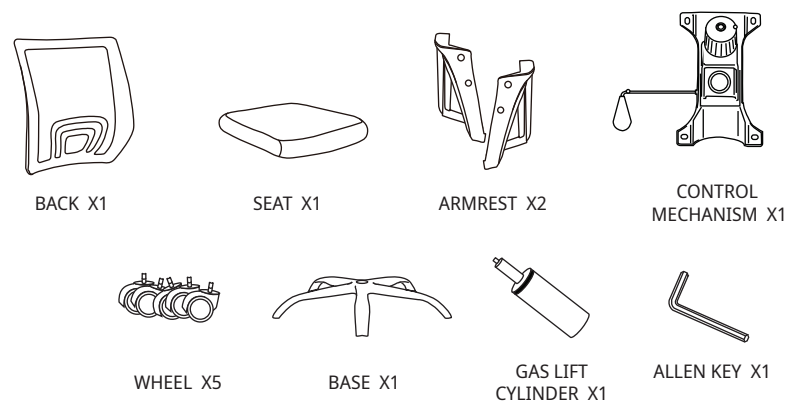


✉ cs@hyggeinc.net

🌐 <https://www.neochair.net>

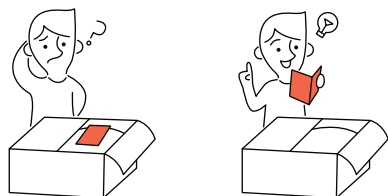
✳️ Please Make sure all parts are included.

If not, email us cs@hyggeinc.net

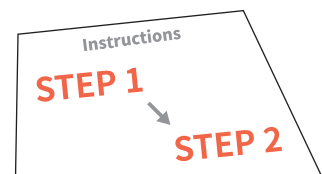


- Ⓐ X4 (SEAT)
- Ⓑ X4 (BACK)
- Ⓒ X4 (LOCKING)
- Ⓓ X4 (BOLT CAP)
- Ⓔ X4 (WASHER)

Read the instructions carefully.



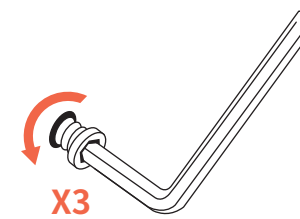
Please follow the assembly steps.



• Instructions

✳️ NOTICE

Under-tighten each bolt
make sure bolt holes aligned and tighten!

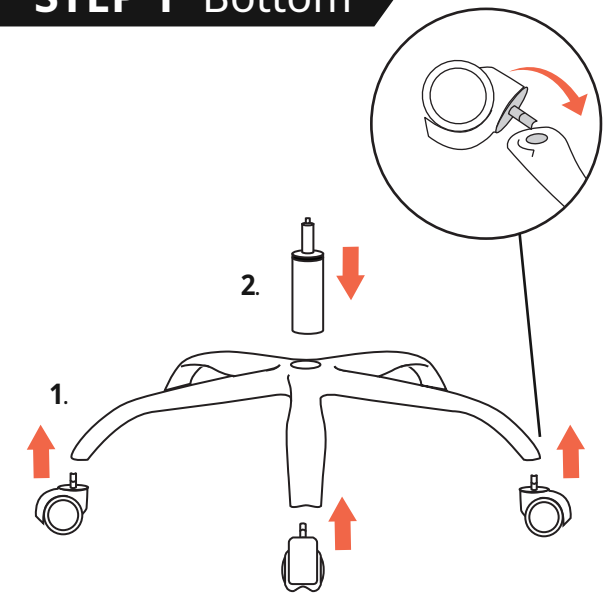


TIPS!

Use packaging box
for easier assembly.

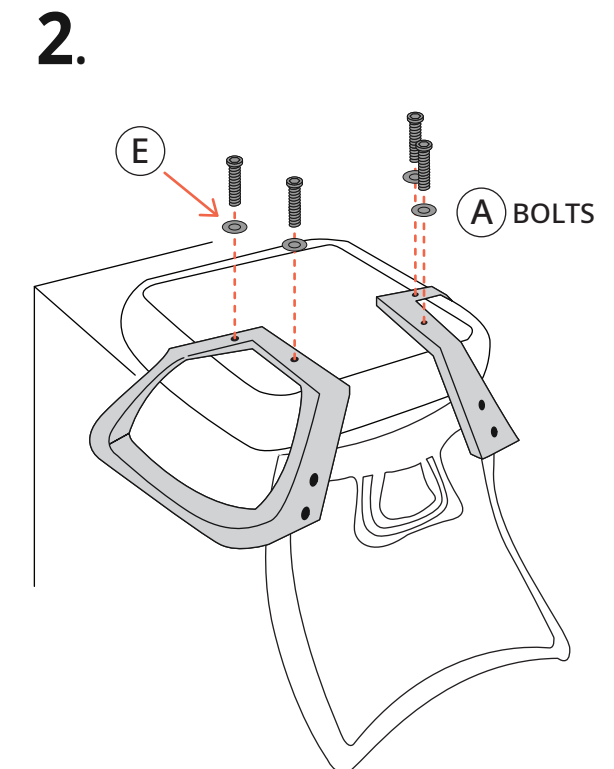
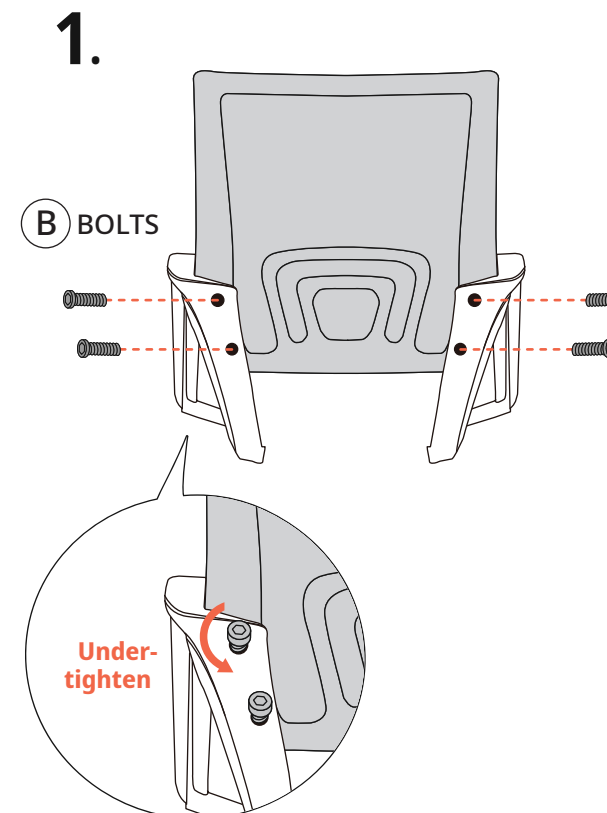


STEP 1 Bottom

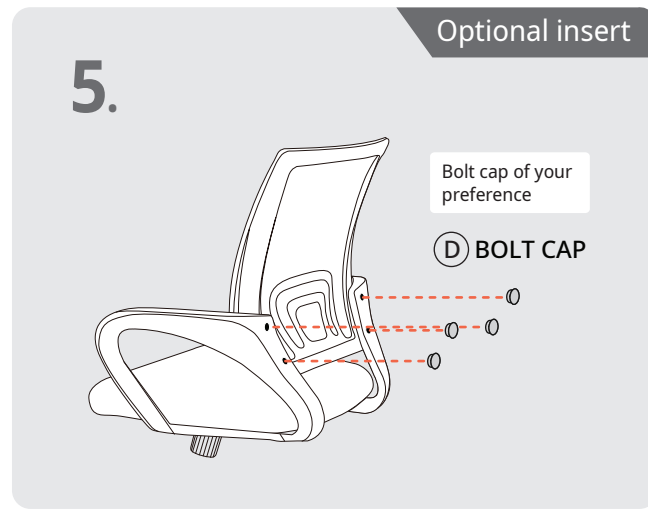
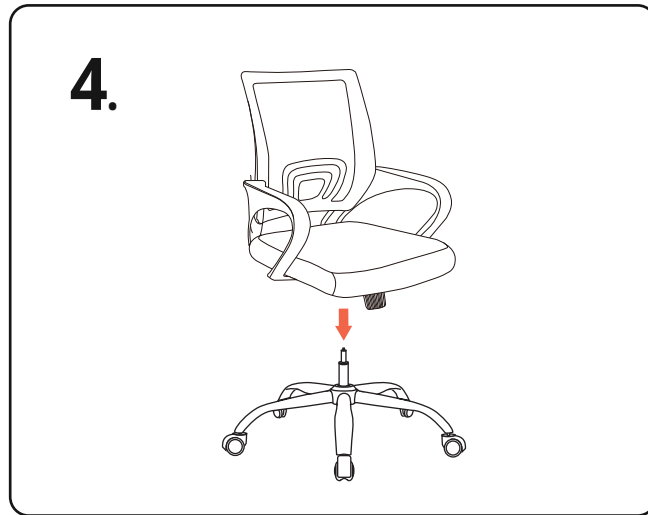
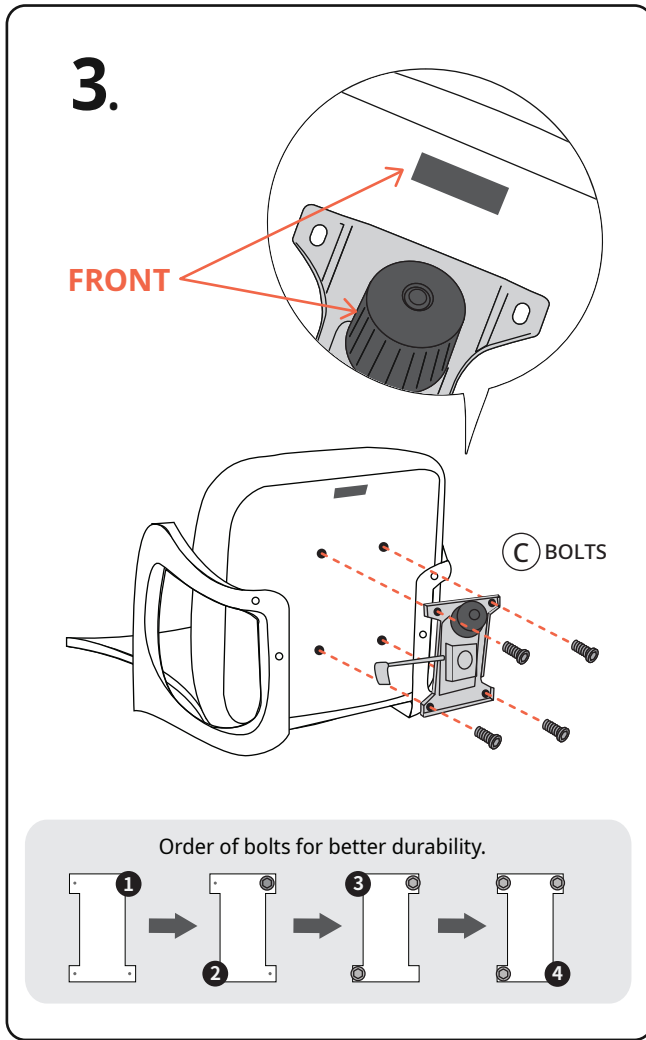


⚠️ **Use base legs as support aiming the hole. Press it strongly.**
(Be careful the tip of the leg might be sharp. Residue on the surface is from welding finishes, not a defect of the product.)

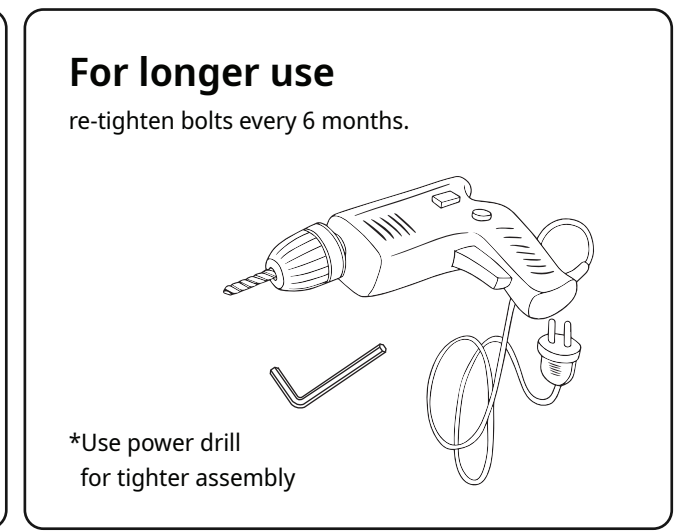
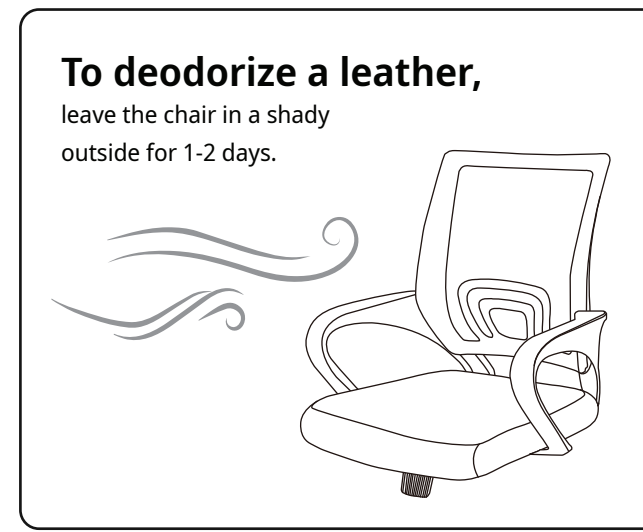
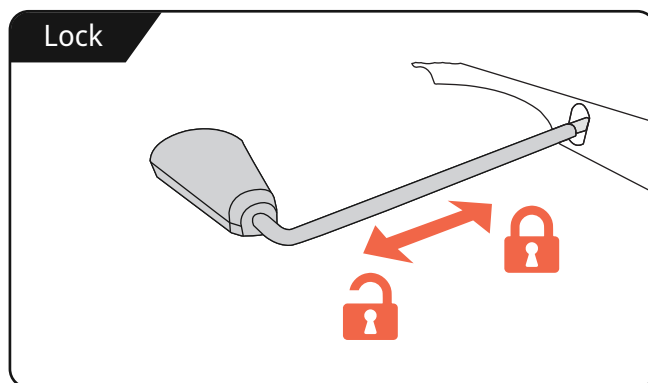
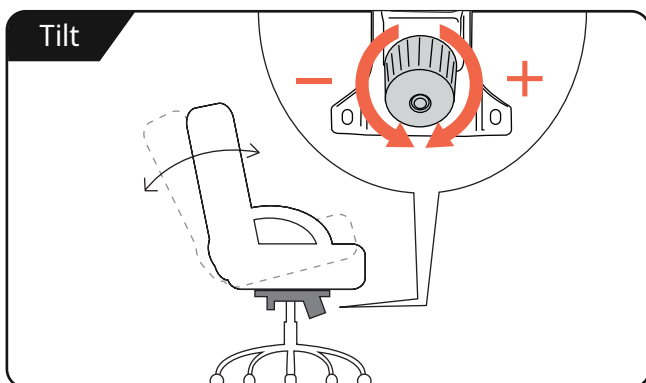
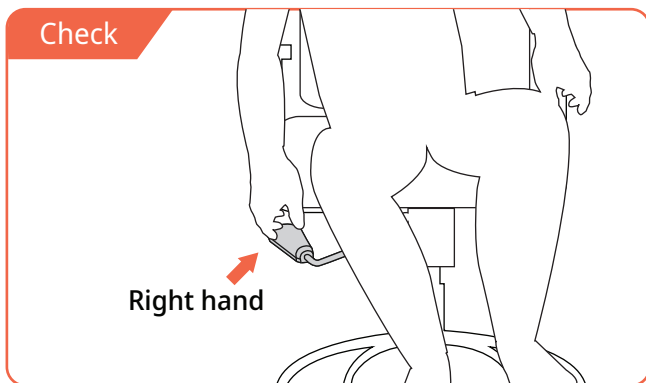
STEP 2 Top



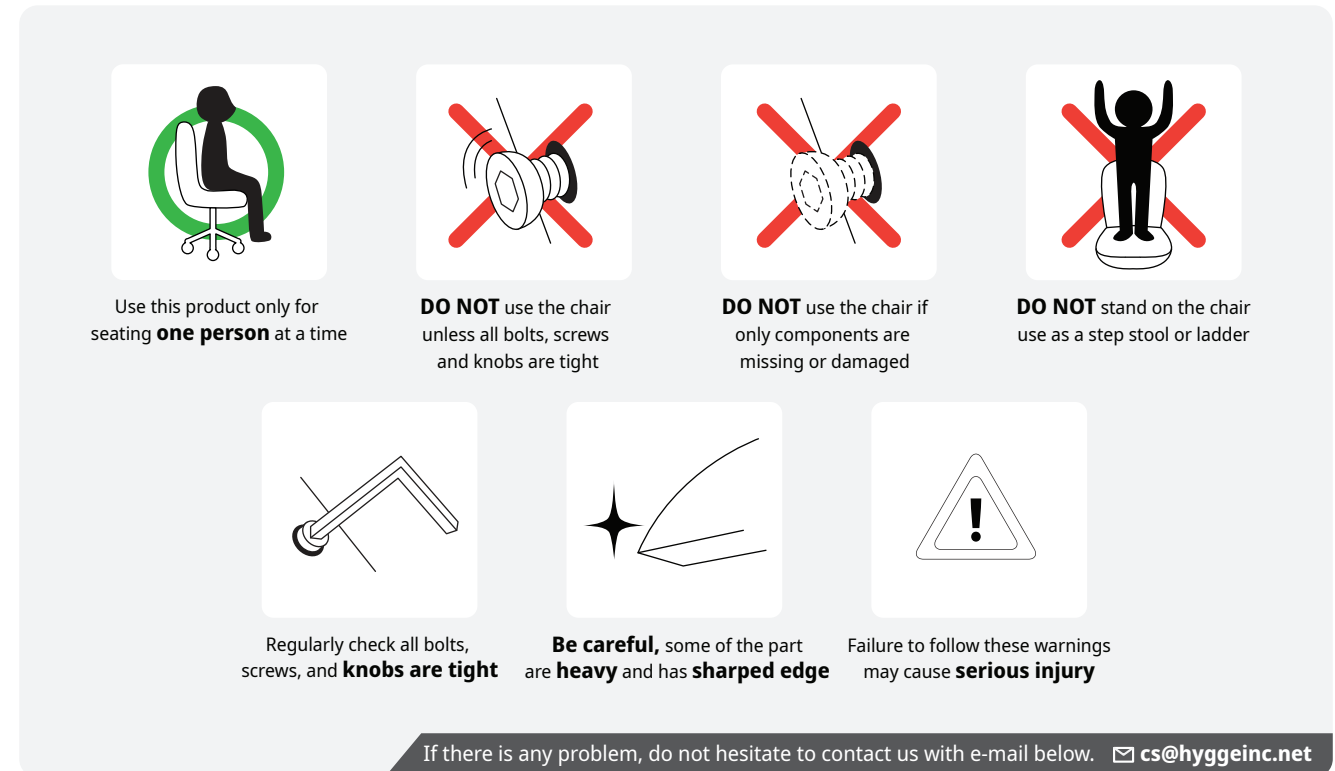
If there is any problem, do not hesitate to contact us with e-mail below. ✉ cs@hyggeinc.net



• User Manual



• Cautions



Thank you for your purchase!

Neo Chair is a professional furniture manufacturer and supplier always considering the life of our customers.



✉ cs@hyggeinc.net

🌐 <https://www.neochair.net>