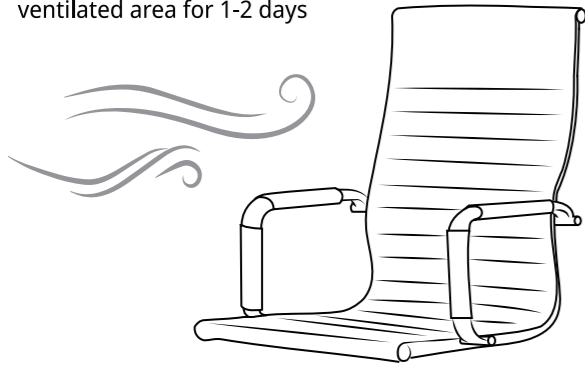


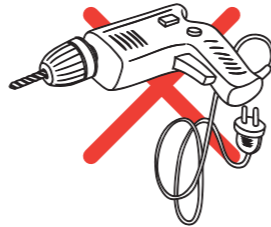
To deodorize the chair

Leave the chair in a well ventilated area for 1-2 days



For longer use

Re-tighten bolts every 6 months by using the enclosed allen-key.
*Using an electric drill can damage the chair.
Please re-tighten bolts manually.



• Cautions



Use this product only for seating **one person** at a time



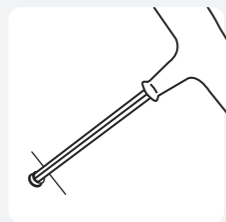
DO NOT use the chair unless all bolts, screws and knobs are tight



DO NOT use the chair if any components are missing or damaged



DO NOT stand on the chair use as a step stool or ladder



Regularly check all bolts, screws, and **knobs are tight**



Be careful, some of the part are **heavy** and has **sharped edge**



Failure to follow these warnings may cause **serious injury**

If there are any problems, do not hesitate to e-mail us. support@neochair.com

Enjoy your new favorite chair

Our goal is to create a perfect customer experience.
Let us know if you have any feedback.
Your comment motivates us to become a better team.



support@neochair.com

www.neochair.com

[@NEOCHAIR](https://www.facebook.com/NEOCHAIR)

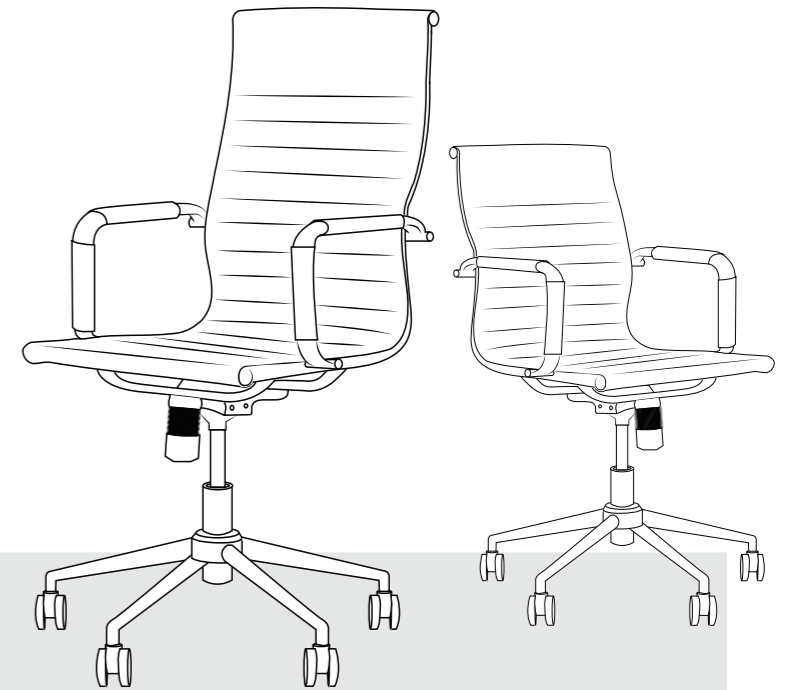
[neochair_office](https://www.instagram.com/neochair_office)

CENTURY(-H) CANVAS

ASSEMBLY INSTRUCTIONS

Contents

- Instructions
- User Manual
- Cautions



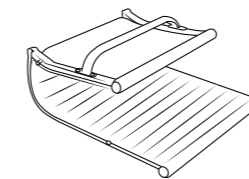
support@neochair.com

www.neochair.com

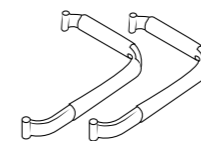
※Please make sure all the parts are included.

Missing parts? support@neochair.com

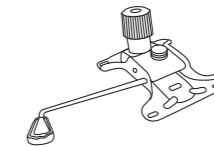
The backrest size may vary depending on the model.



TOP (back and seat) X1



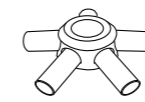
ARMREST X2



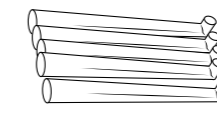
CONTROL MECHANISM X1



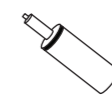
WHEEL X5



CENTRAL BASE X1



BASE LEG X5



GAS LIFT CYLINDER X1



(A)

ARMREST BOLT X 4



(B)

BASE BOLT X 5



(C)

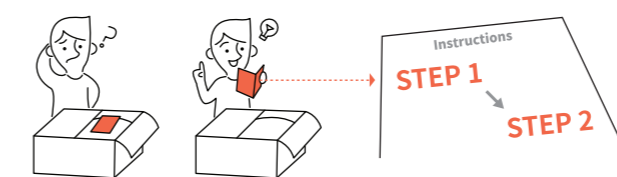
TILTING BOLT X 4



(D)

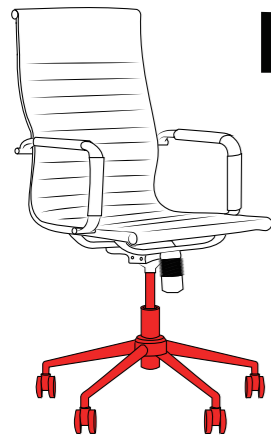
ALLEN KEY X 1

Read the instructions carefully and follow the assembly steps.

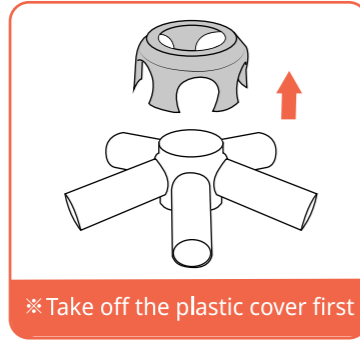


Our team of chair experts have created an instruction manual for you. We've tested out multiple ways to assemble chairs and have come up with the easiest and quickest method. Don't hesitate to reach out to us if you have any questions while following the steps. We're here to help!

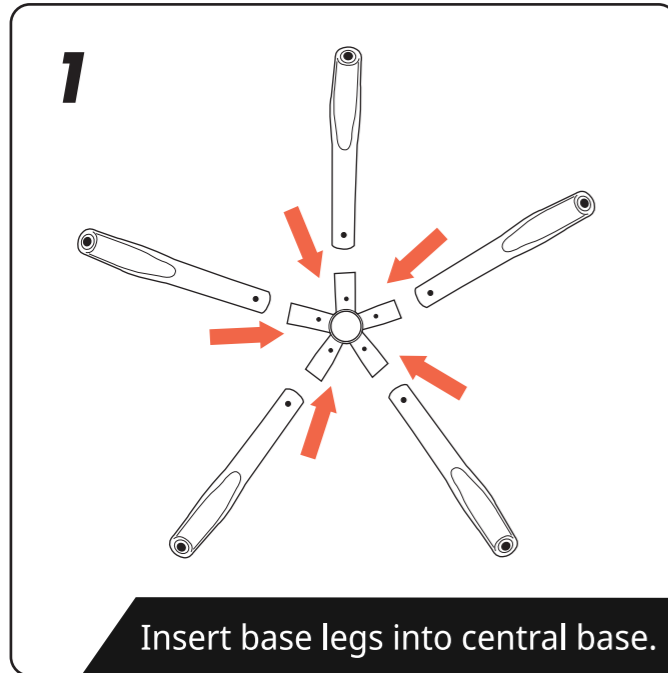
• Instructions



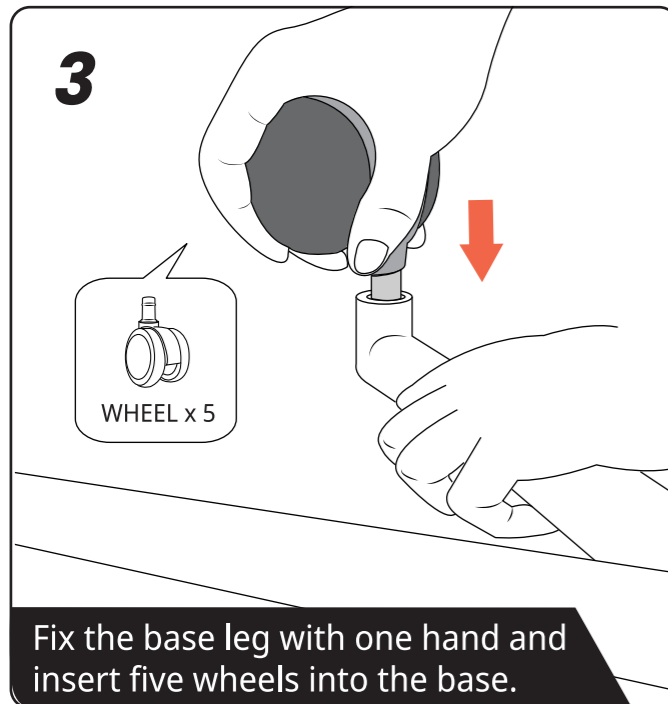
STEP 1. BOTTOM



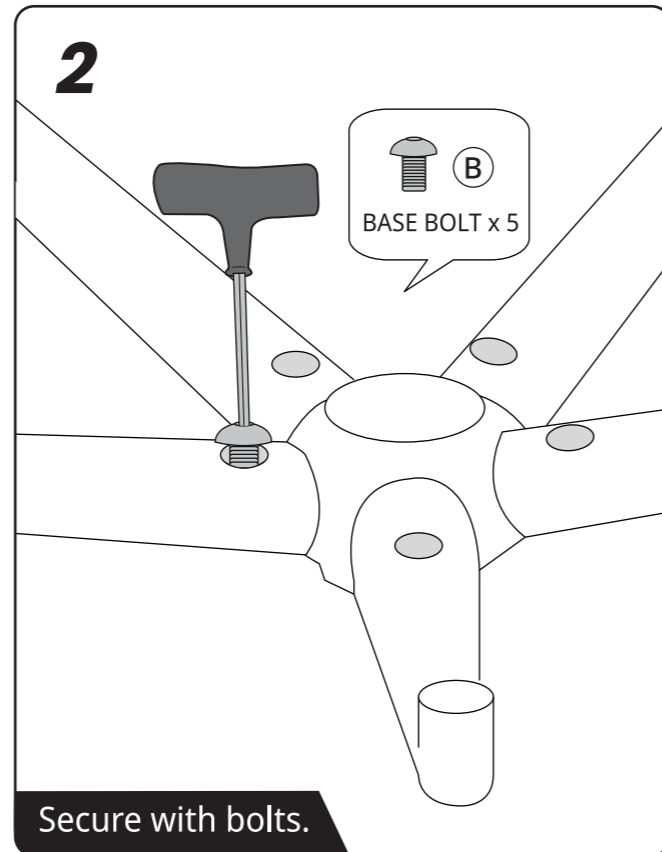
※ Take off the plastic cover first



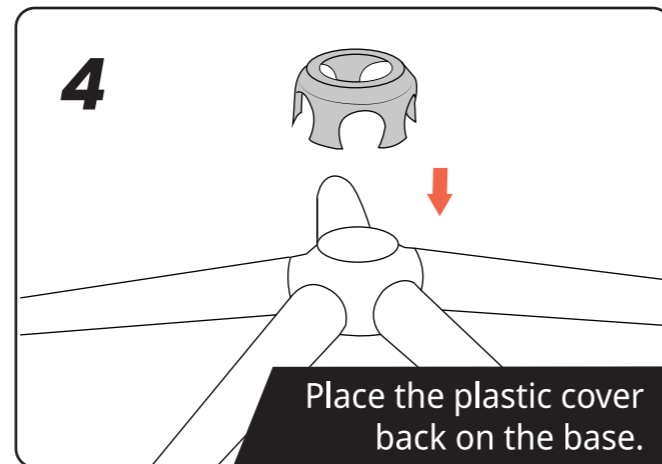
Insert base legs into central base.



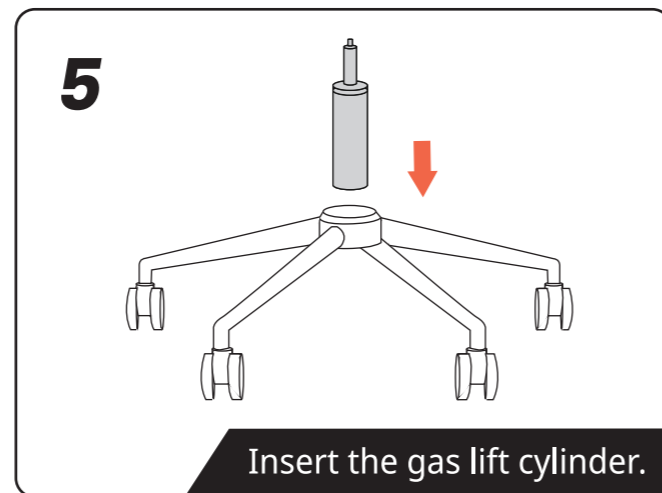
Fix the base leg with one hand and insert five wheels into the base.



Secure with bolts.



Place the plastic cover back on the base.



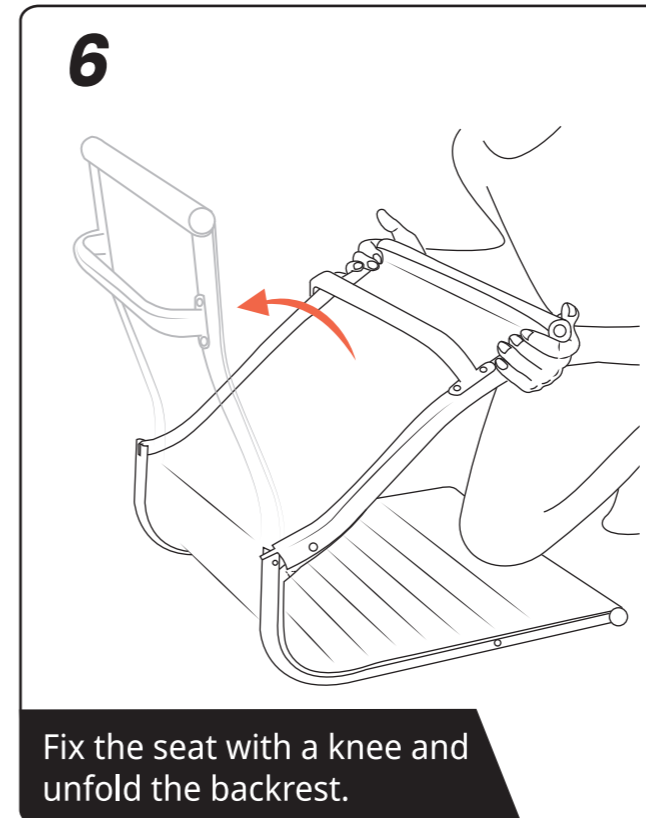
Insert the gas lift cylinder.

• Instructions

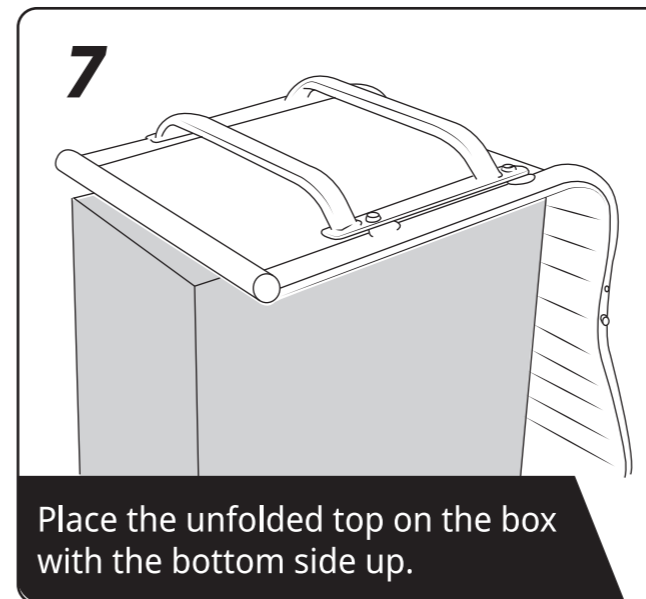


STEP 2. TOP

The backrest size may vary depending on the model.

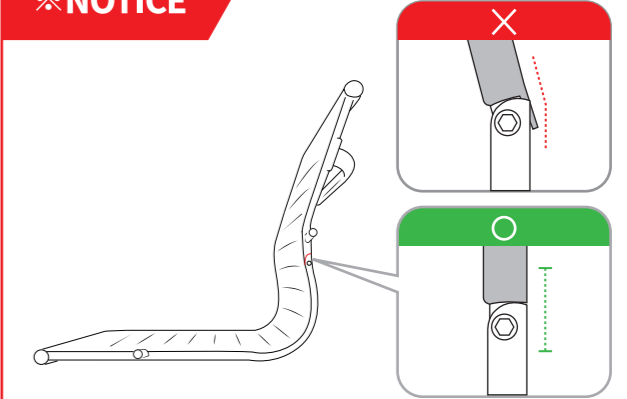


Fix the seat with a knee and unfold the backrest.



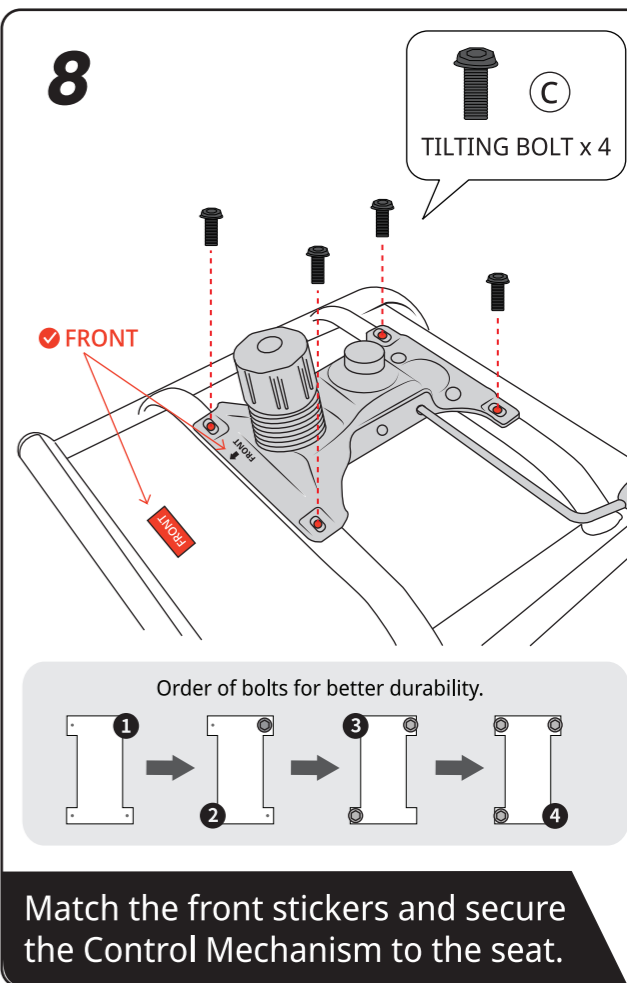
Place the unfolded top on the box with the bottom side up.

※ NOTICE



Make sure to unfold the backrest until the hinge on the back is straight.

Please note that the wrinkles on the back of the chair are not a cosmetic damage and will disappear over time, and they do not affect the quality or functionality of the chair.

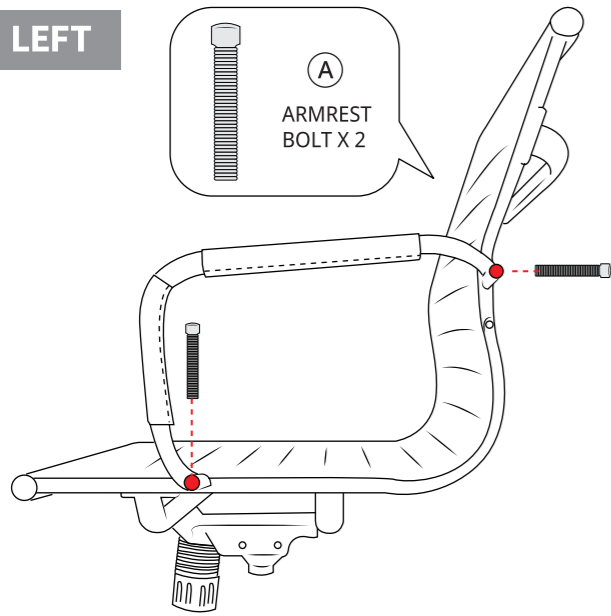


Match the front stickers and secure the Control Mechanism to the seat.

9

For proper alignment:
Slightly **under-tighten** the bolts
after placing both bolts.

LEFT

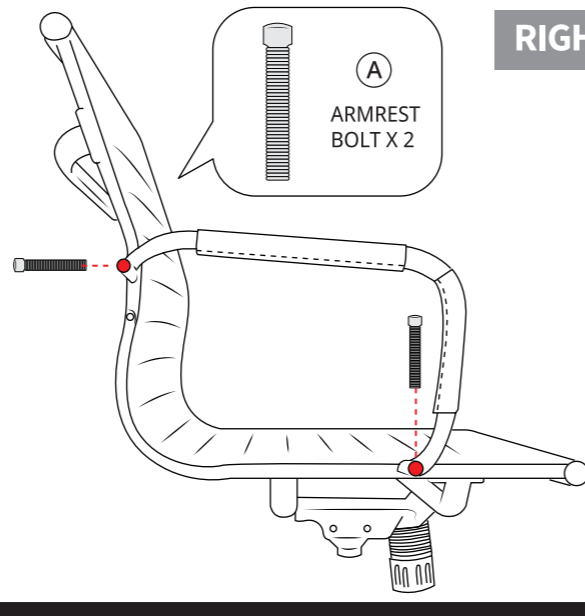


Lay the backrest on its side.
Line up the armrest and insert the bolts.

10

For proper alignment:
Slightly **under-tighten** the bolts
after placing both bolts.

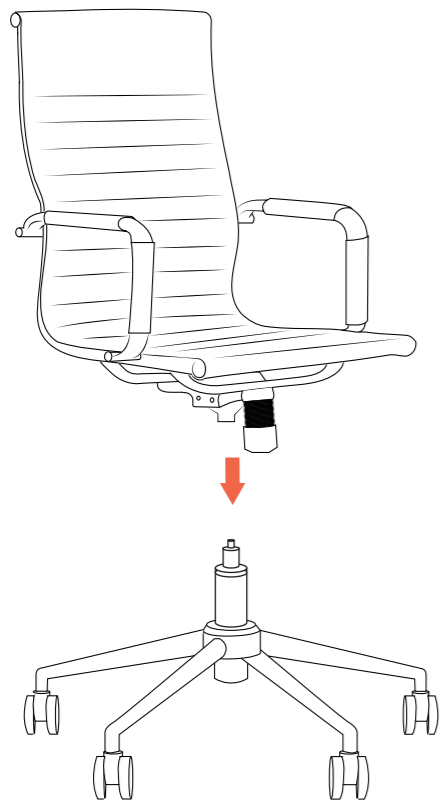
RIGHT



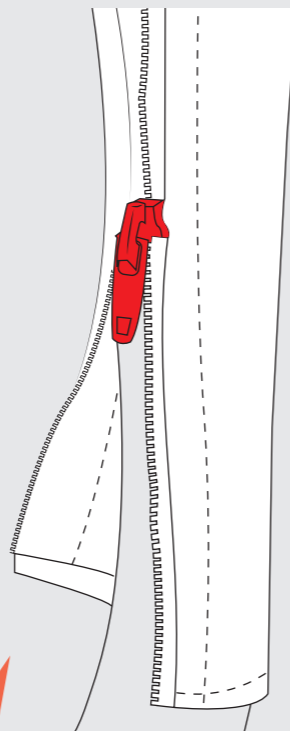
Lay the backrest on the other side and
repeat. Fully tighten all bolts after
attaching both armrests.

STEP 3. TOP + BOTTOM

11



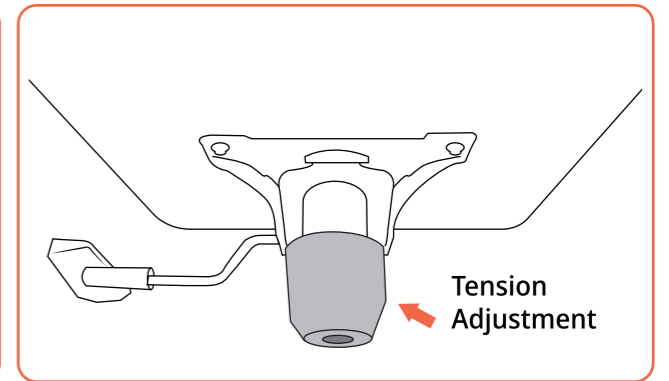
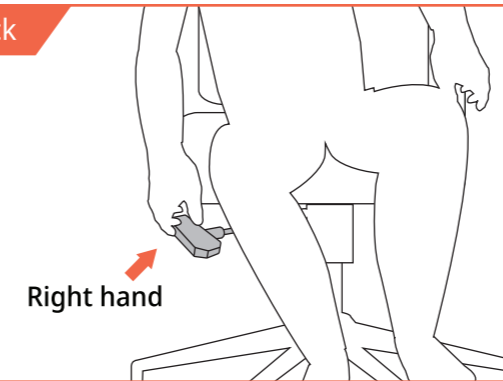
Optional



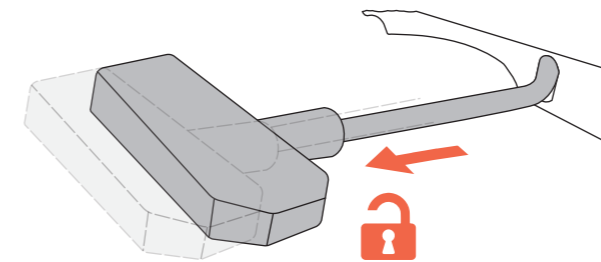
The armrest holster is detachable
by using the zipper.

User Manual

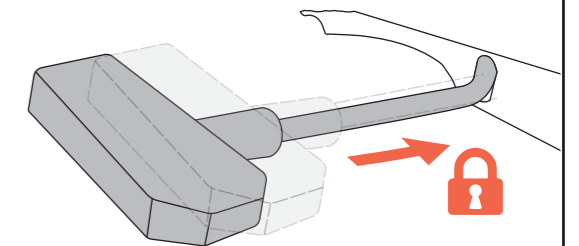
Check



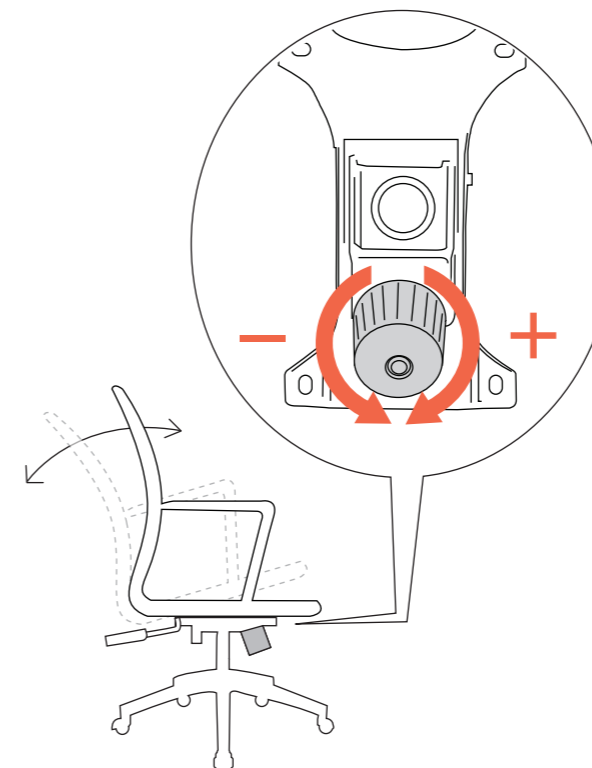
Tilt



Tilt Lock



Tilt Tension



Height

