

GAMING CHAIR #ARC MODEL CODE

AVENGERS

**USER GUIDE & ASSEMBLY
INSTRUCTIONS**



MARVEL

MORE THAN  GAMING CHAIR

MARVEL

GAMING
NEO CHAIR

NEO CHAIR'S STORY

NEO CHAIR IS A PROFESSIONAL FURNITURE MANUFACTURER AND SUPPLIER ALWAYS CONSIDERING THE LIFE OF OUR CUSTOMERS.

WE DESIGN NOT ONLY FURNITURE BUT MODERN LIFE.

WE PROVIDE USEFUL FURNITURE DESIGNED TO MAKE YOUR OWN SPACE MEANINGFUL, SPECIAL AND HEALTHY.

NEO CHAIR CONTINUES TO PROVIDE BETTER PRODUCTS OF LIVING AND WORKING. FROM ERGONOMIC HOME & OFFICE CHAIRS TO OFFICIALLY LICENSED MARVEL PRODUCTS!

 ***WWW.NEOCHAIR.NET***

 ***NEOCHAIR***

IN YOUR ROOM

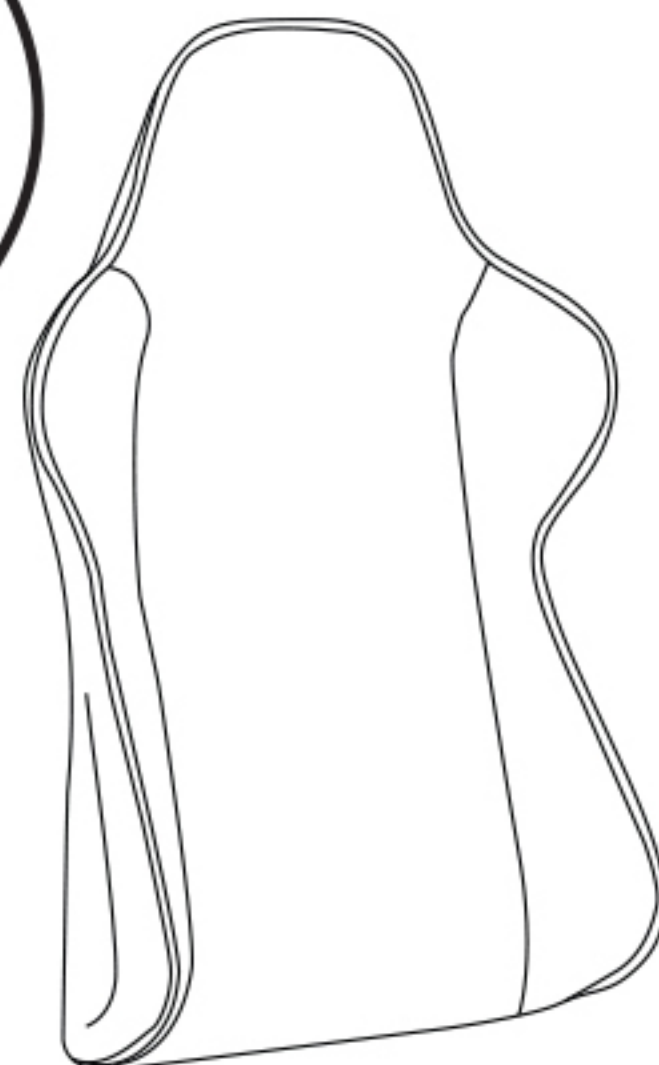
BEFORE BUYING OUR CHAIR

IT'S OUR MISSION TO ASSEMBLE THE CHAIR!

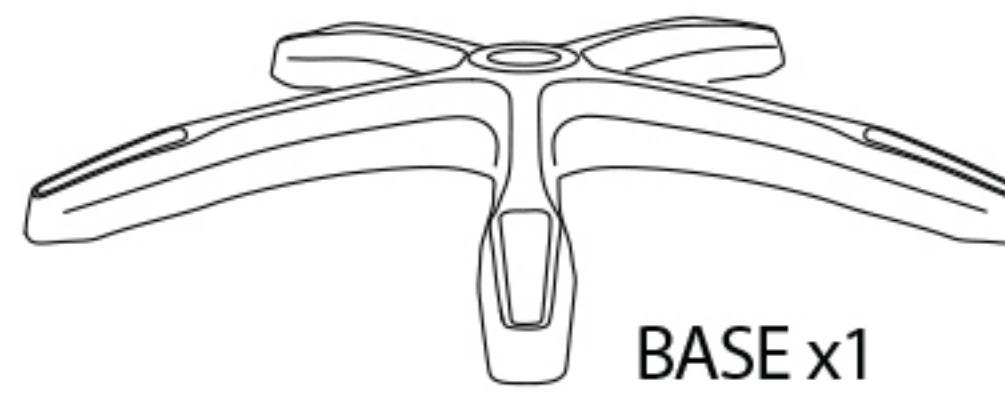


MAKE SURE THE PACKAGE CONTAINS THE FOLLOWING ITEMS!

CHAIR PARTS



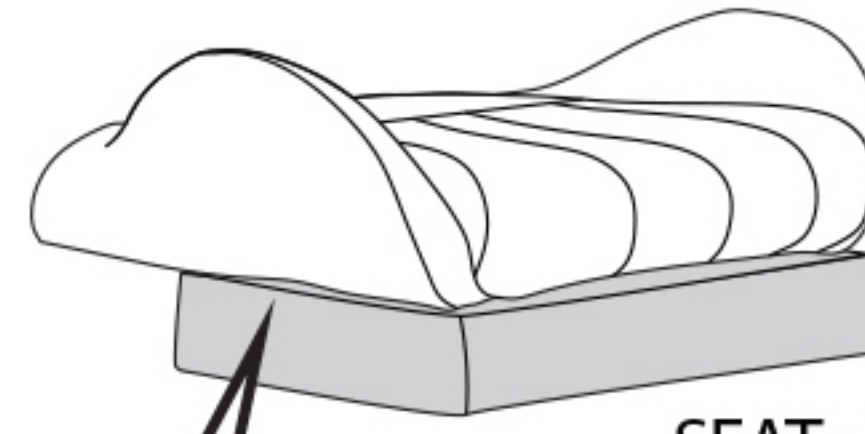
BACK x1



BASE x1

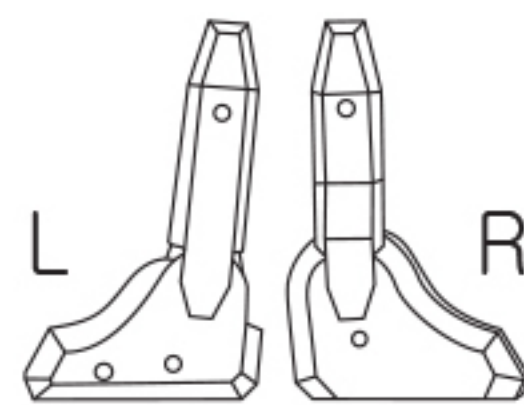


GAS LIFT x1

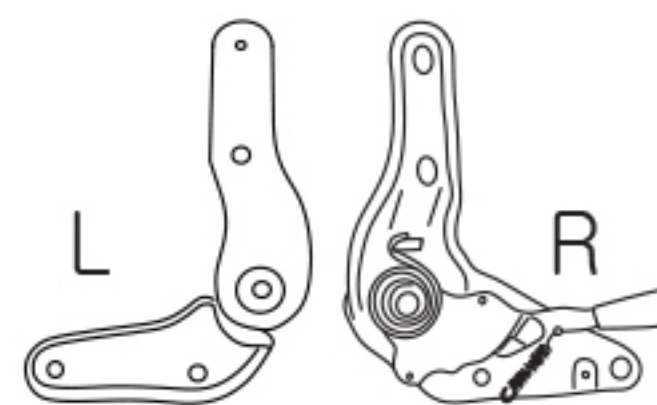


SEAT x1

ARC-R Model comes with FOOTREST attached on the seat.



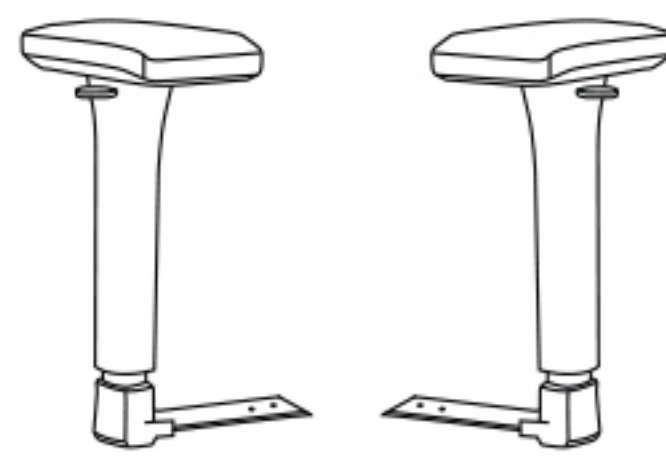
PLASTIC COVER x2



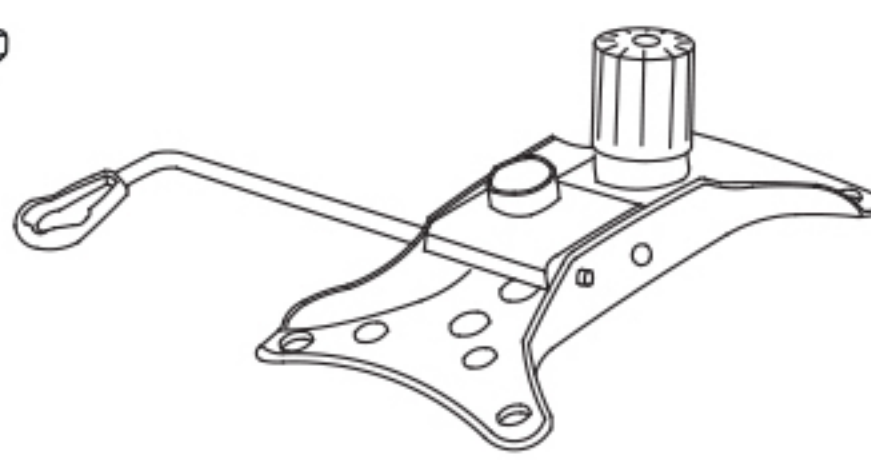
RECLINER MECHANISM x2



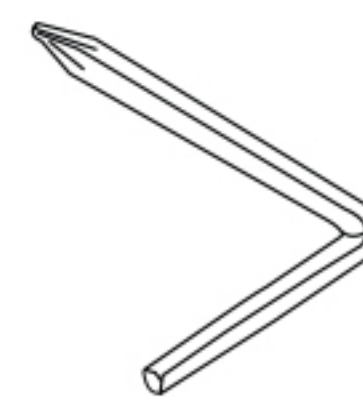
WHEEL x5



ARMREST x2



CONTROL MECHANISM x1



ALLEN KEY x1

HARDWARE

S  x6

M  x4

L  x12

KEEP the bolt washer

ACCESSORIES



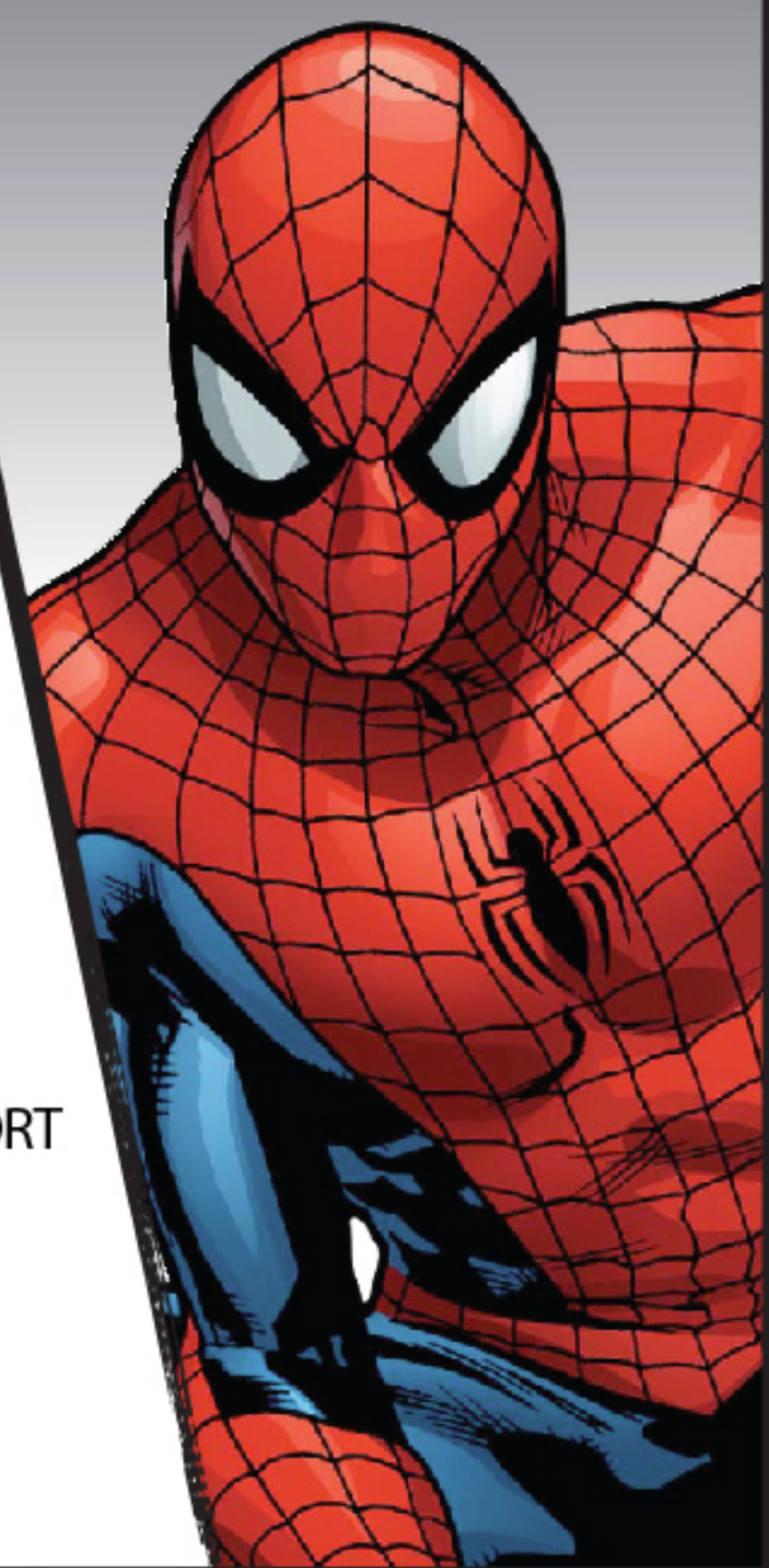
HEAD CUSHION x1



LUMBAR SUPPORT x1

Do not discard "ALLEN KEY" for ongoing maintenance

If you are missing parts, please contact cs@hyggeinc.net



TIPS!

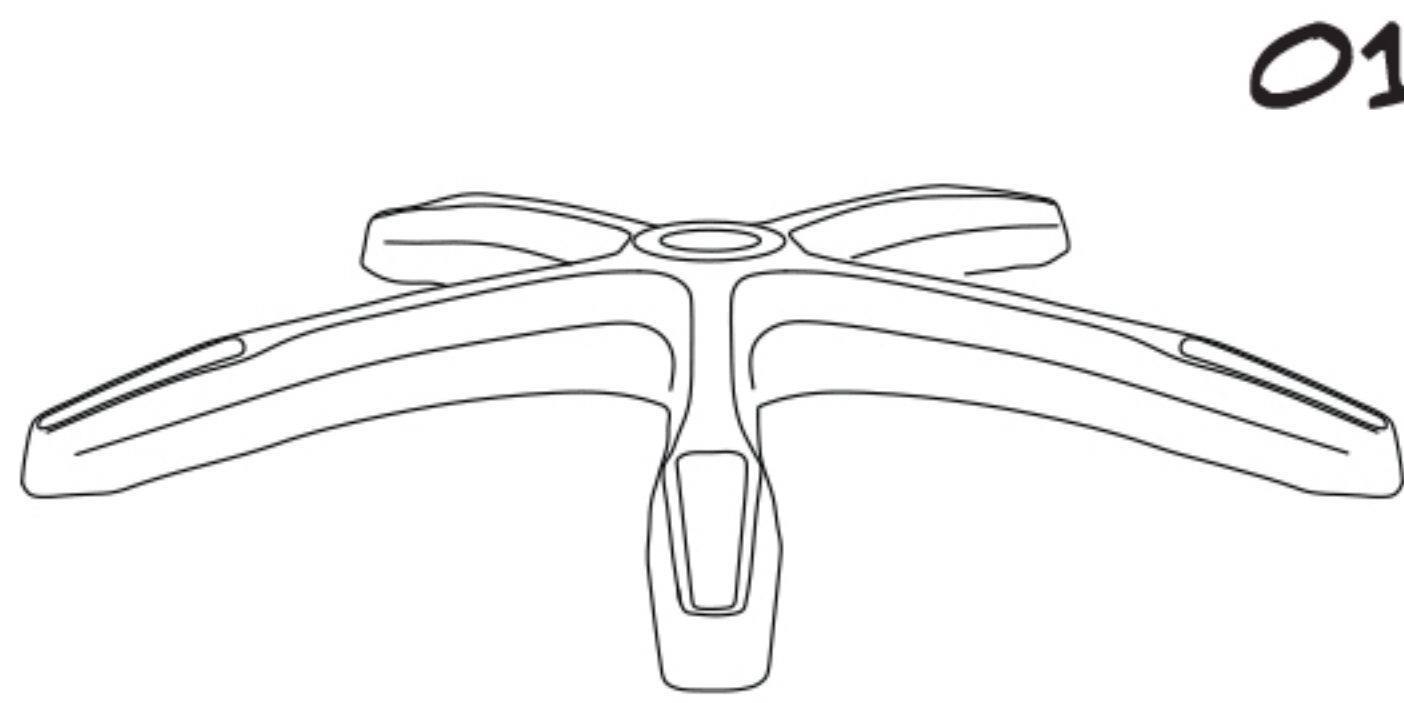
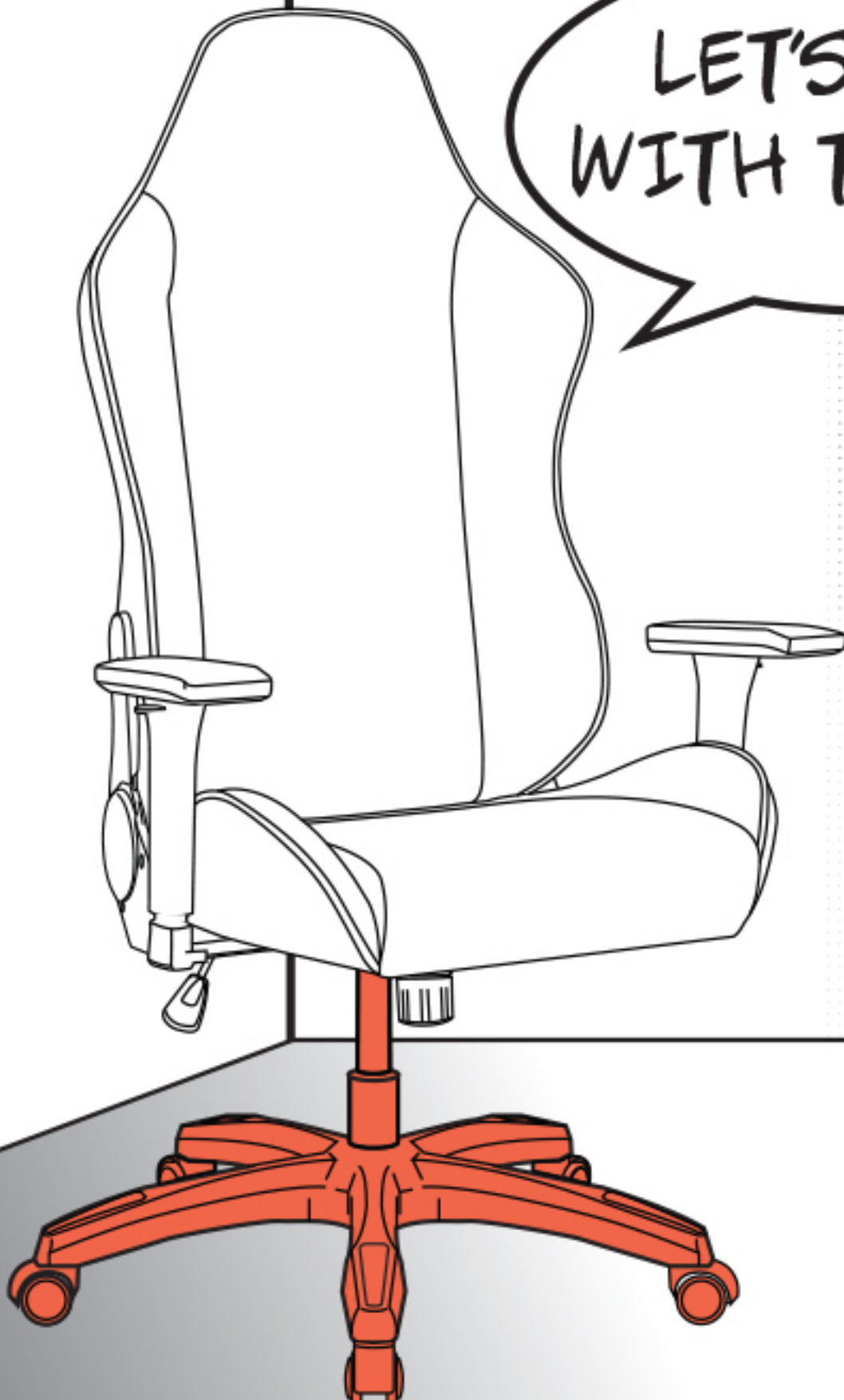
USE PACKAGING BOX FOR EASIER ASSEMBLY.



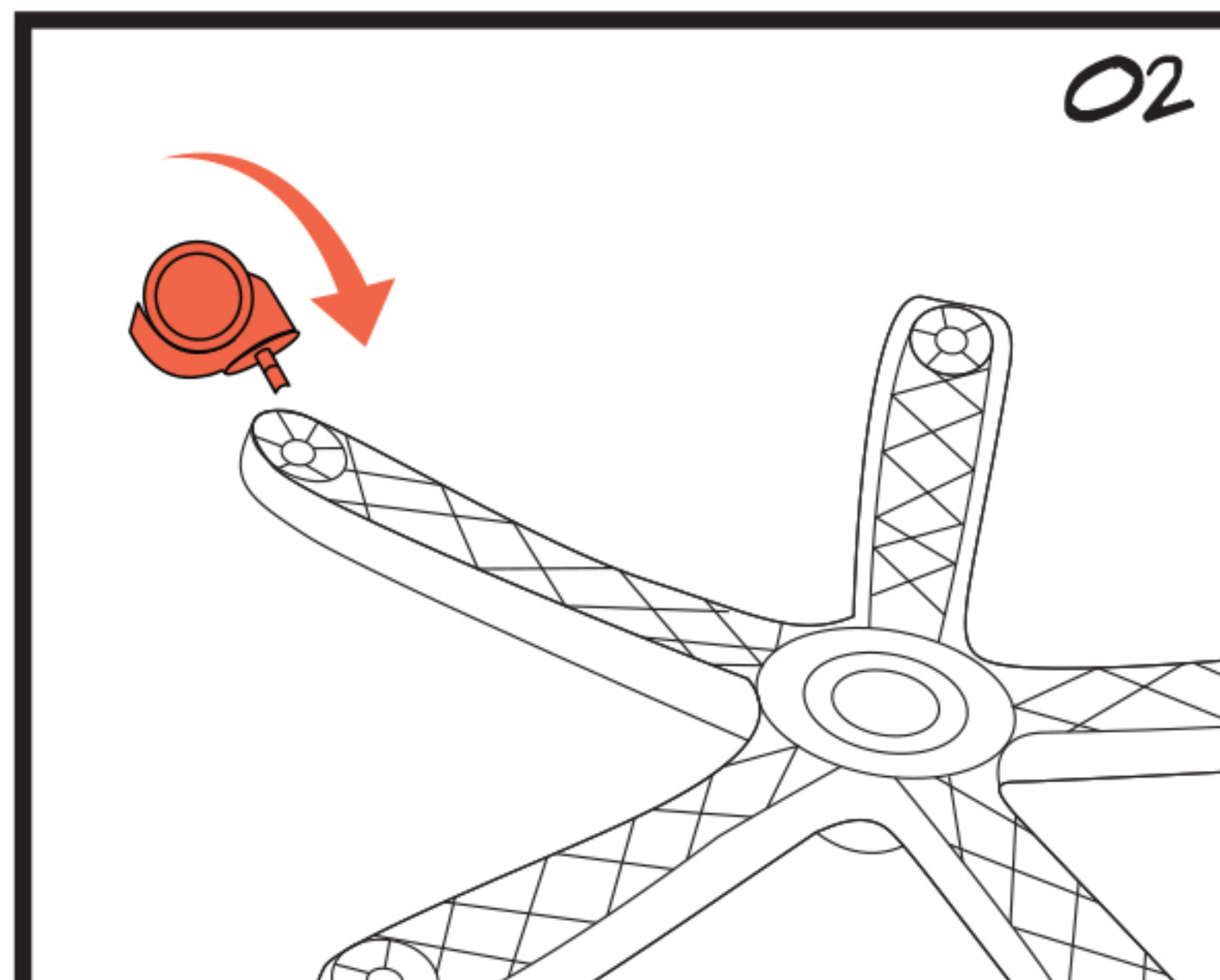
AVENGERS ASSEMBLE!

STEP 1. BASE

LET'S START WITH THE BASE!

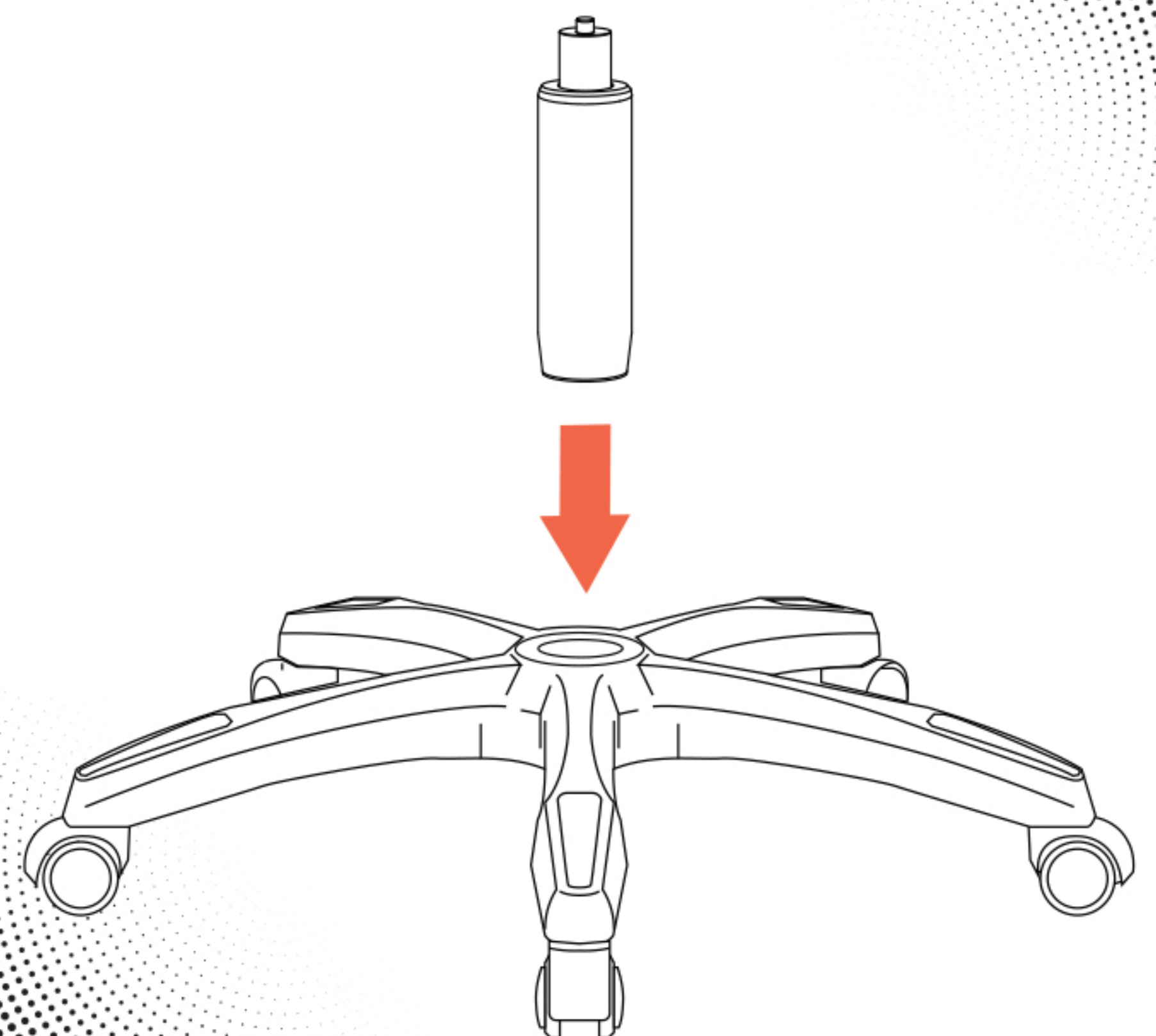


01



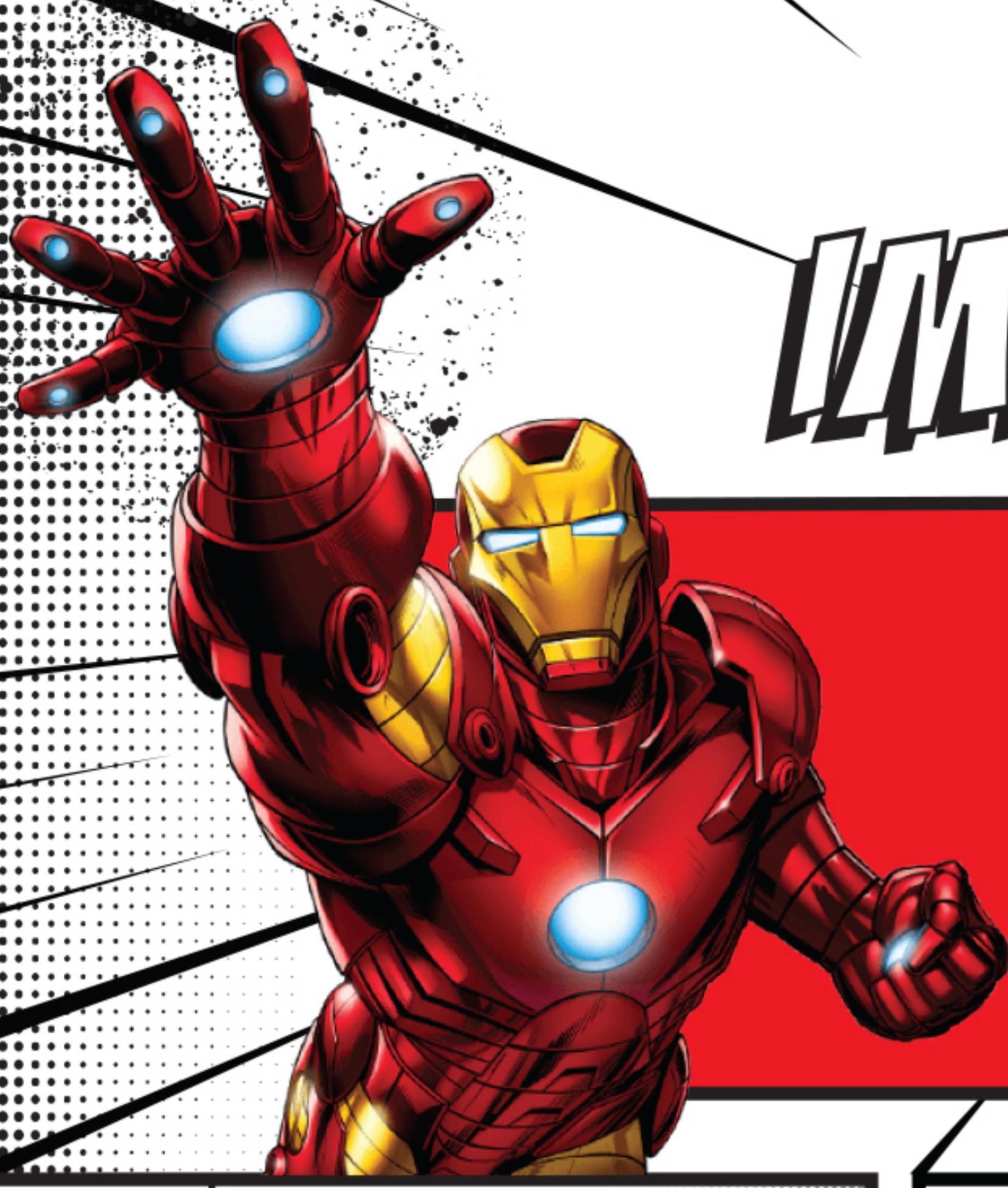
02

03

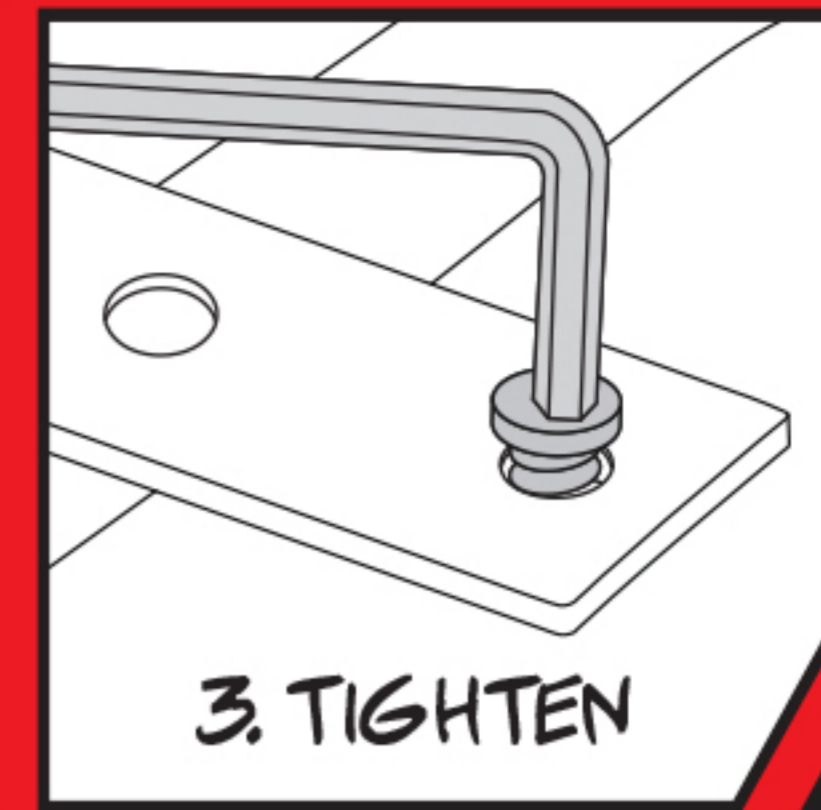
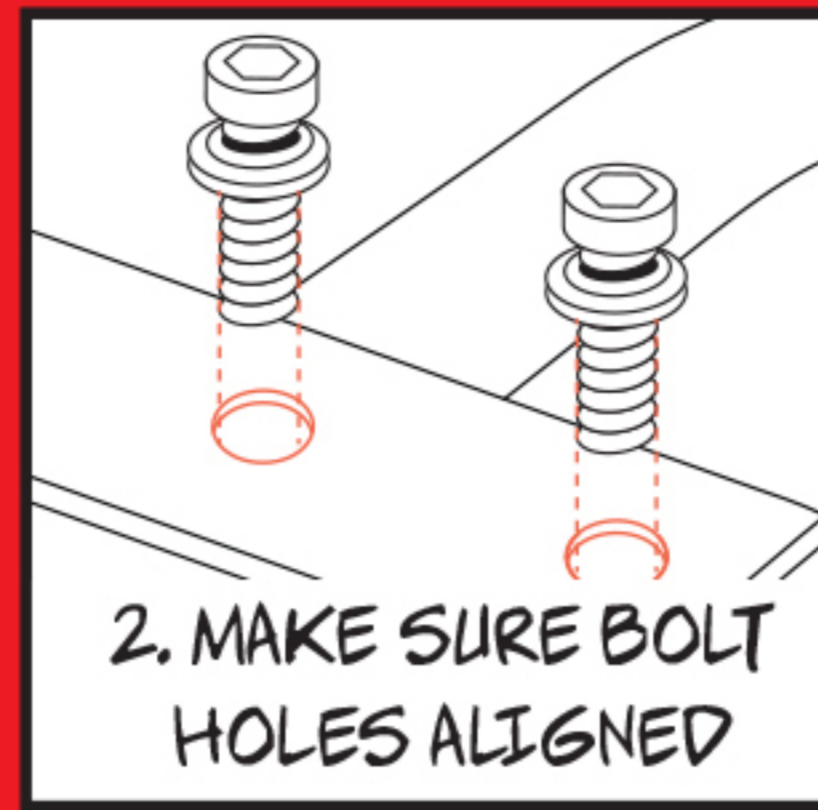
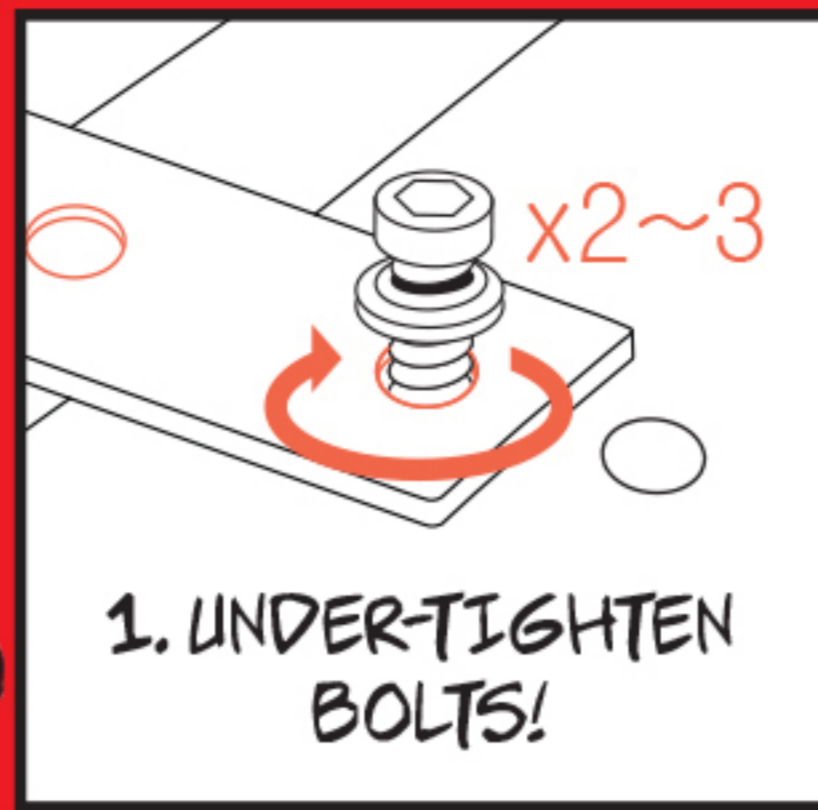


If you are having problems, please contact team Neo Chair

cs@hyggeinc.net

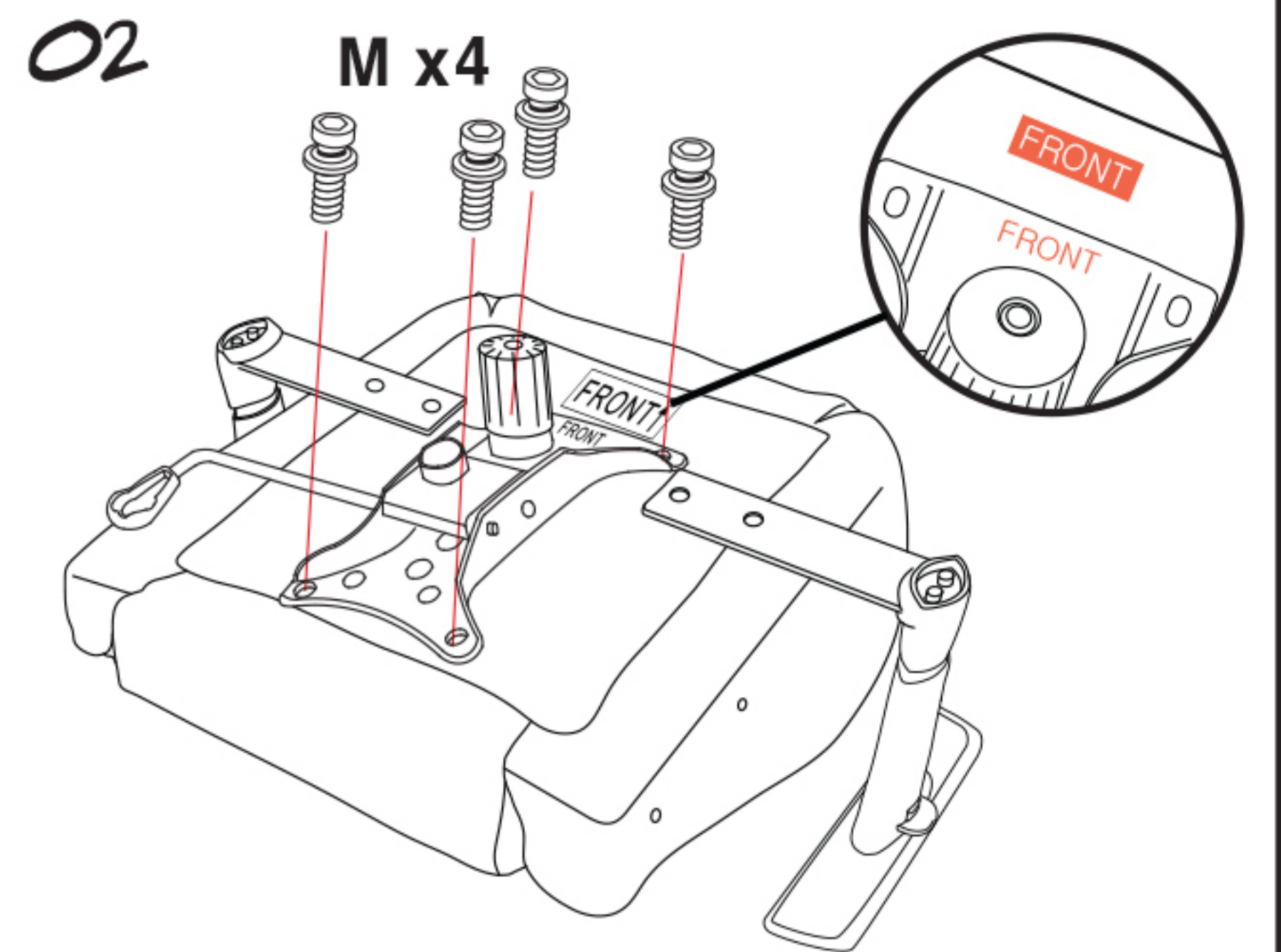
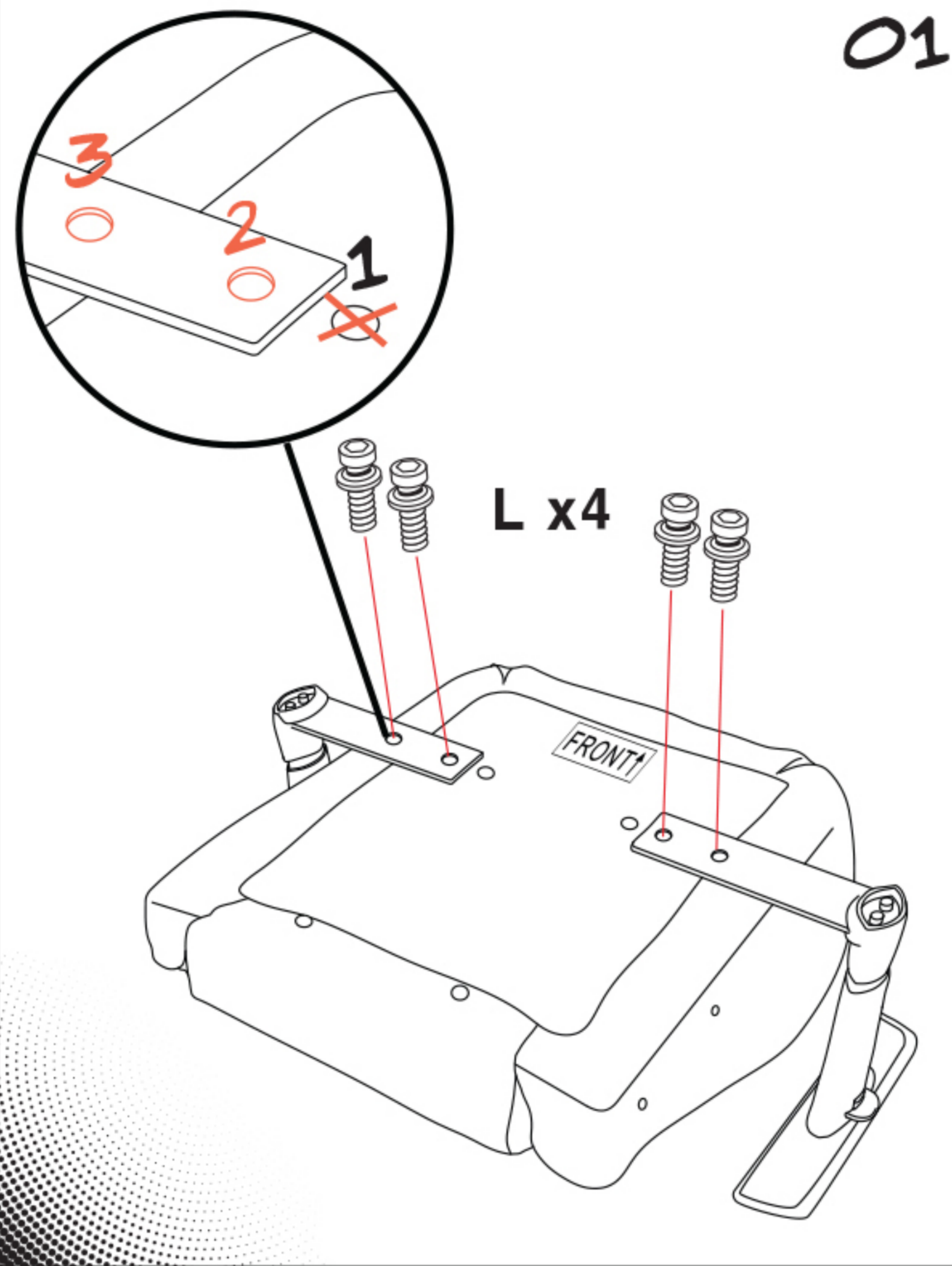


IMPORTANT NOTICE!

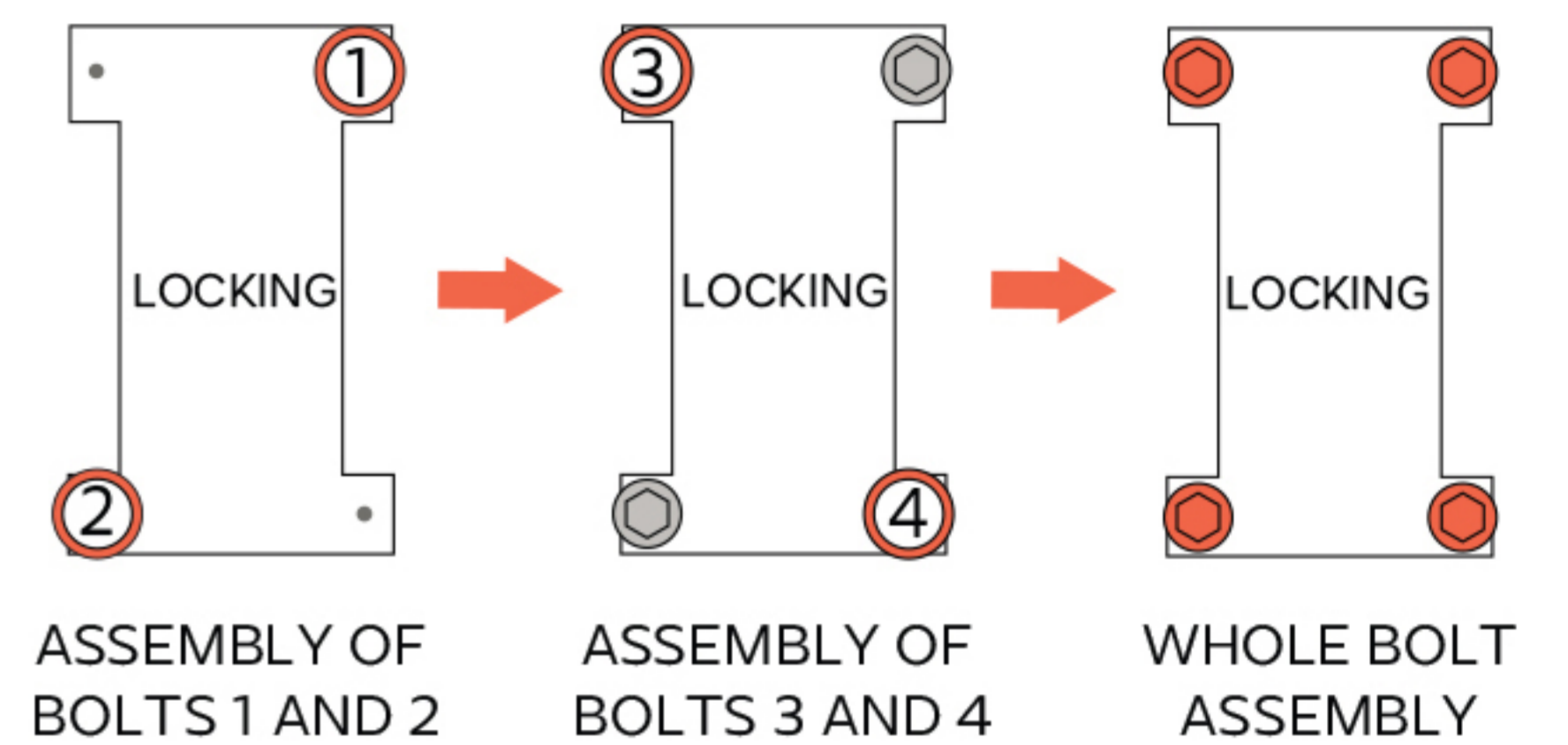


STEP 2. BODY

NEXT IS THE BODY!

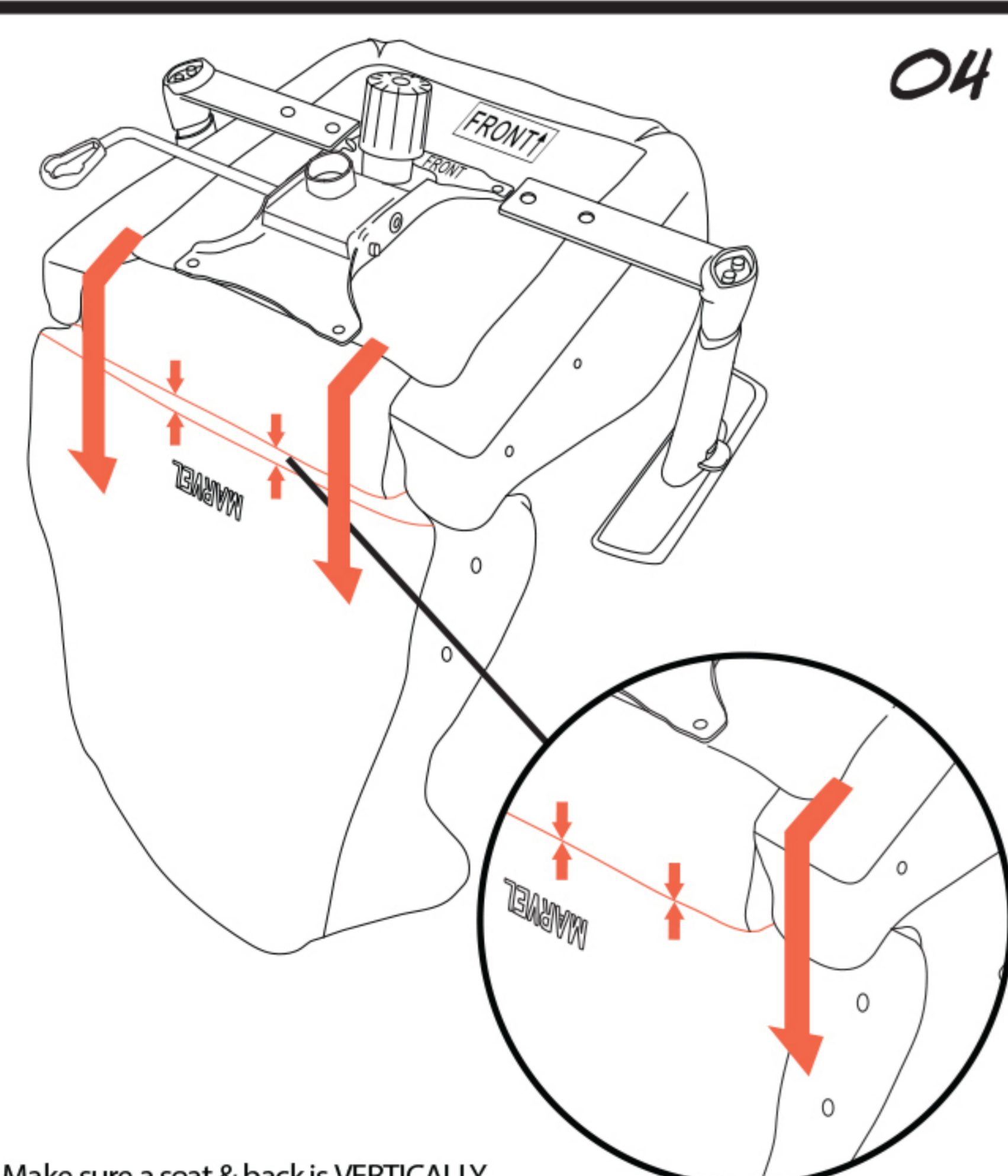
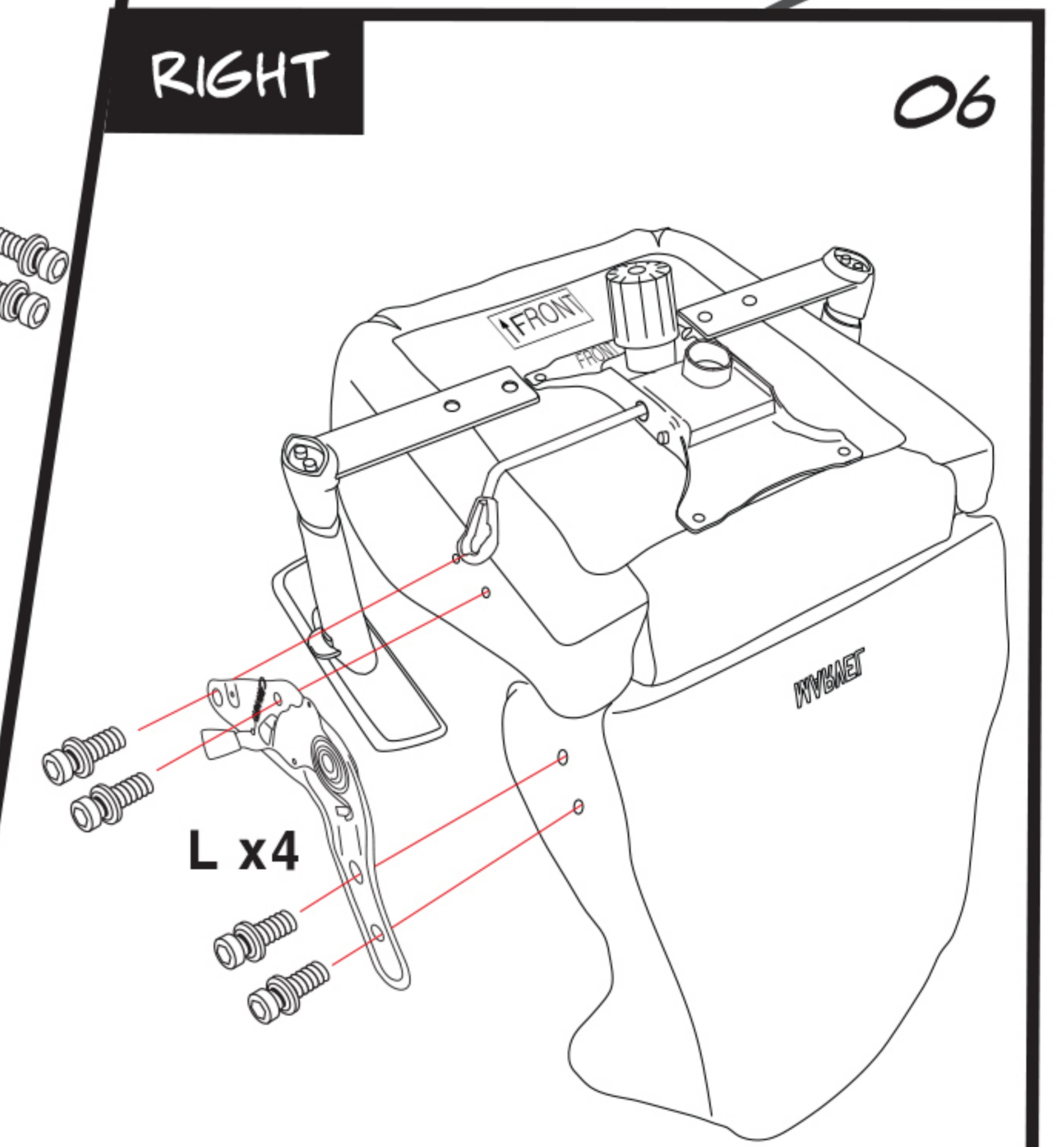
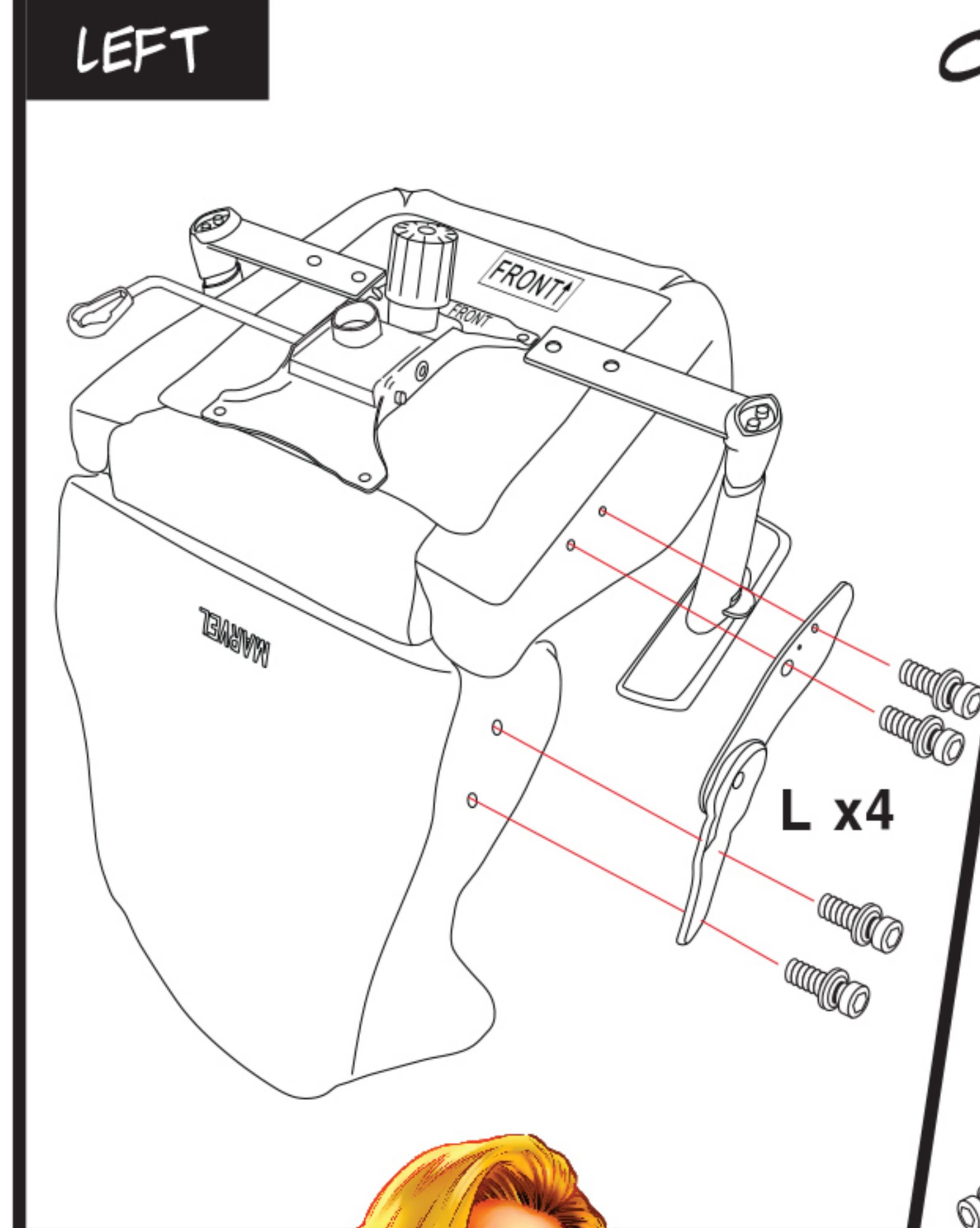
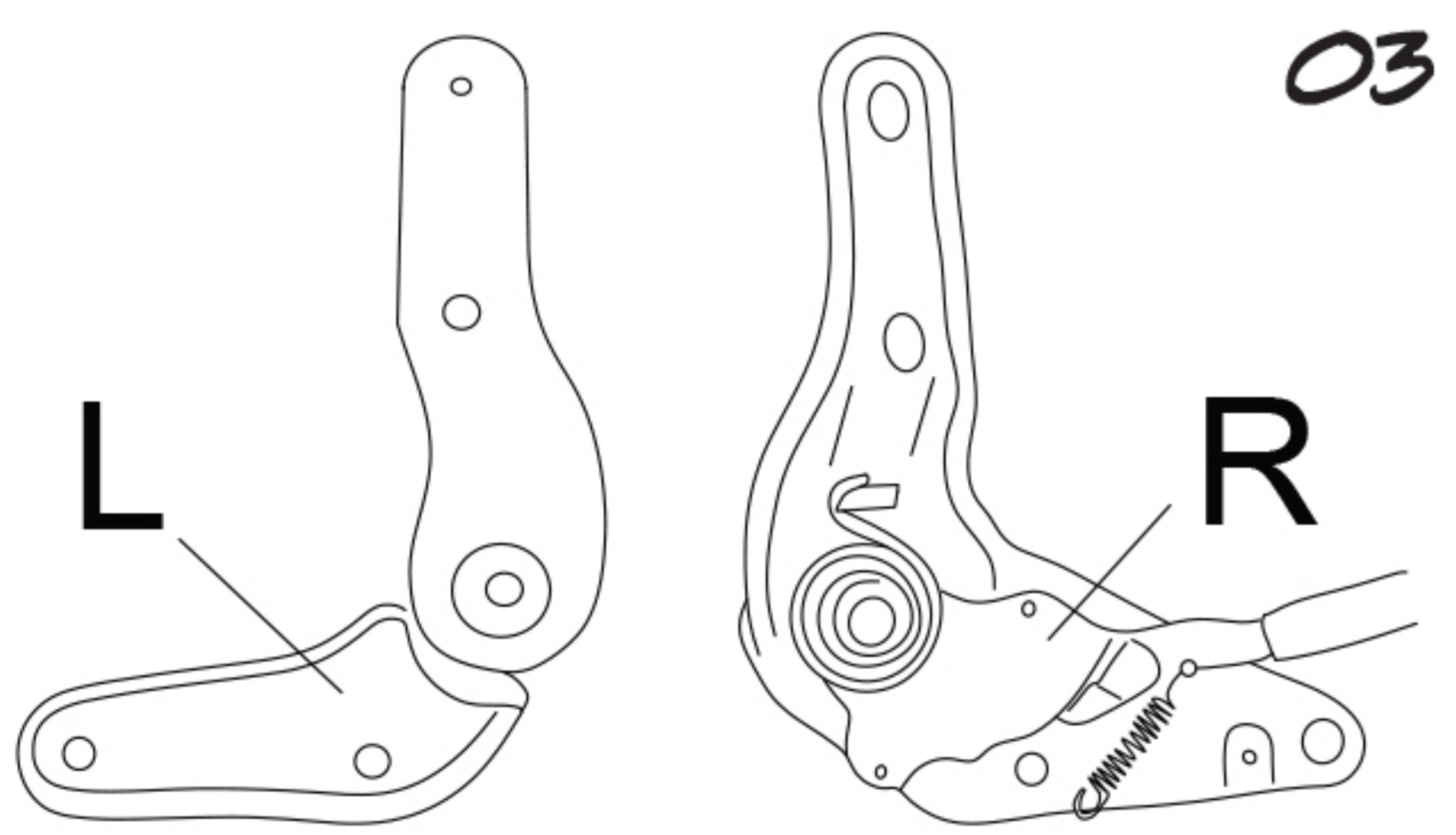


TILTING ASSEMBLY SEQUENCE



LOOSE BOLT ALERT!

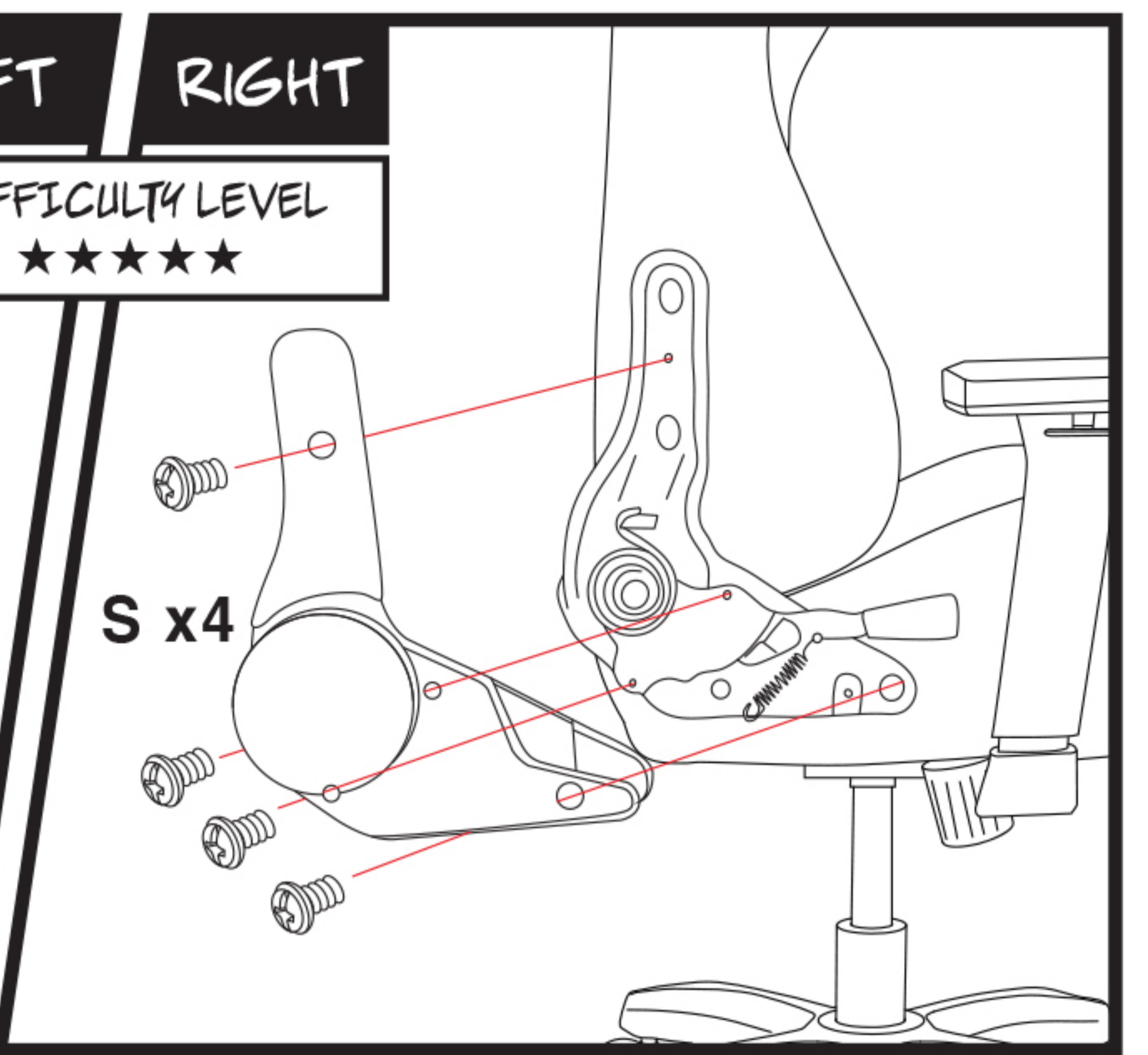
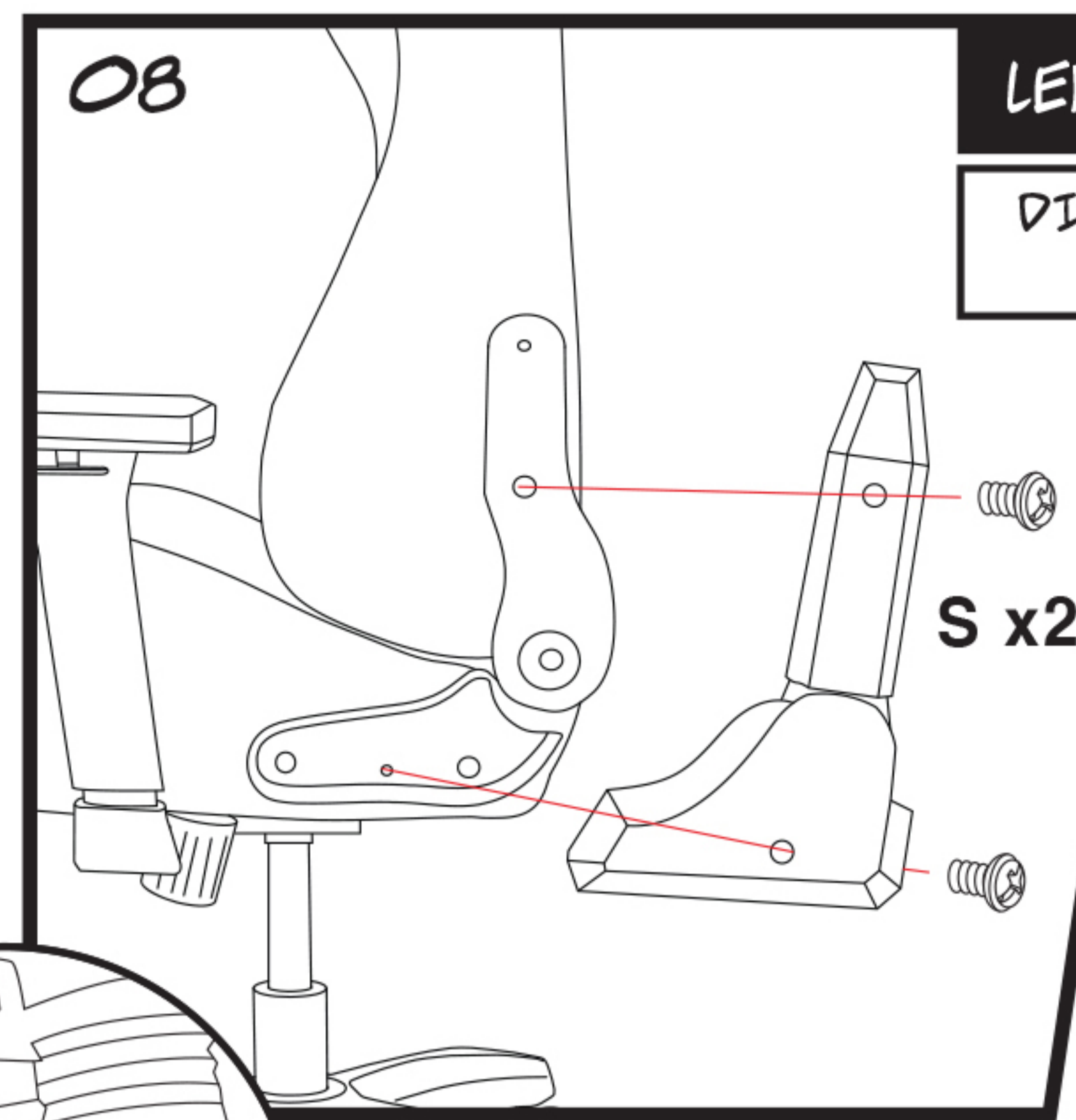
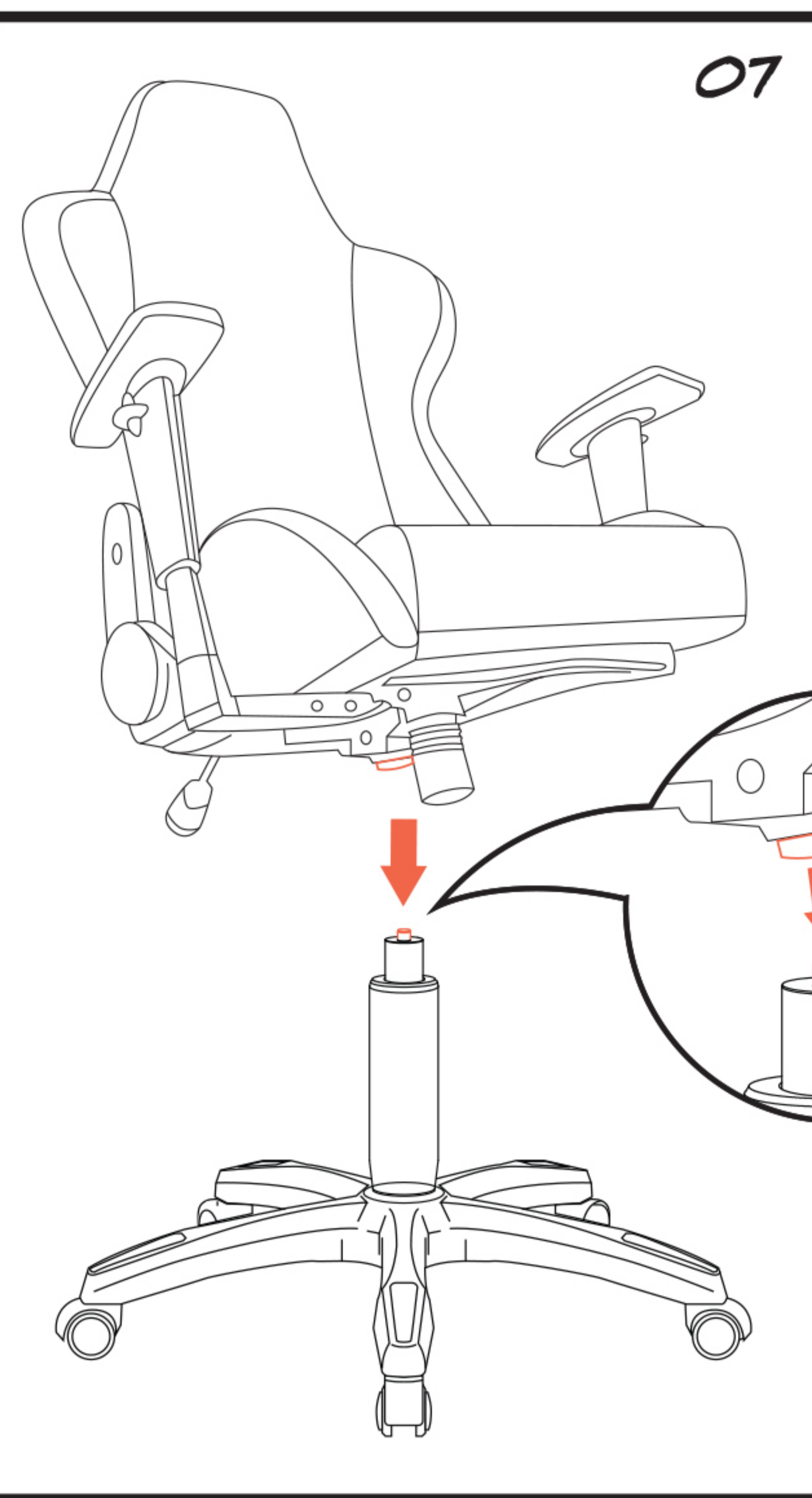
1. Remove armrests
2. Insert bolt to make sure if that is bolt's problem.
3. If not working, contact Neo Chair



Make sure a seat & back is VERTICALLY ATTACHED (no gap in between). If not, the holes will not be aligned.



You are almost done! If you are having problem, please contact team Neo Chair
cs@hyggeinc.net



CAUTION
HEAVY OBJECT

Can cause muscle strain back injury.



SAFETY INFORMATION

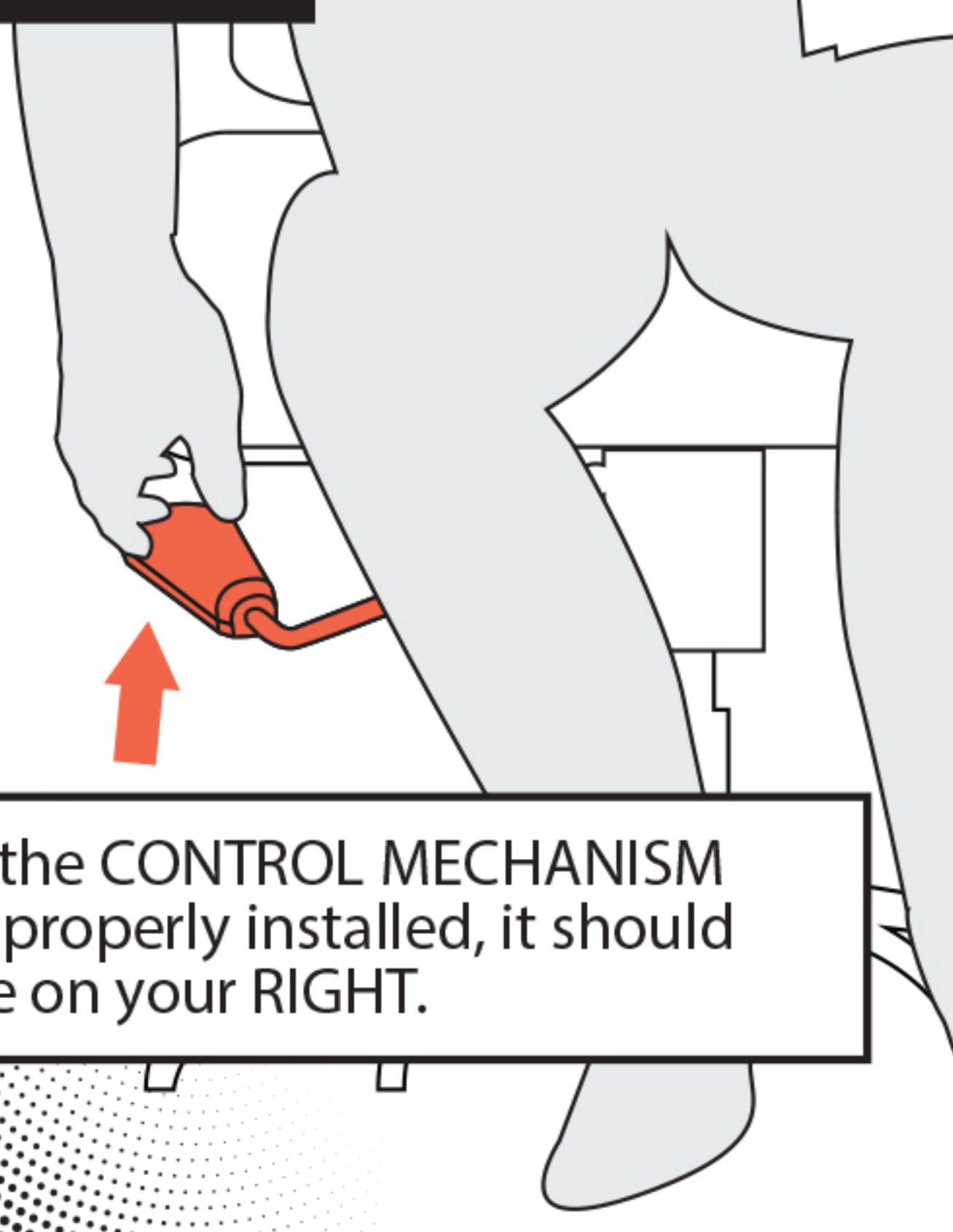
- Use this product only for seating one person at a time
- DO NOT use the chair unless all bolts, screws and knobs are tight
- DO NOT use the chair if only components are missing or damaged
- DO NOT stand on the chair as a step stool or ladder
- DO NOT tilt forward, left, right when sitting on chairs.
- Careful NOT TO FALL off from the chairs.
- Be careful, some of the part are heavy and has sharpened edge.
- Regularly check all bolts, screws, and knobs are tight.
- Failure to follow these warnings may cause serious injury
- Be careful not to hit the furniture edges.
- Keep in dry and cool place
- When moving an object, proceed with caution.

WE ARE HERE FOR YOU!
WHENEVER YOU NEED US, JUST CONTACT TEAM NEO CHAIR



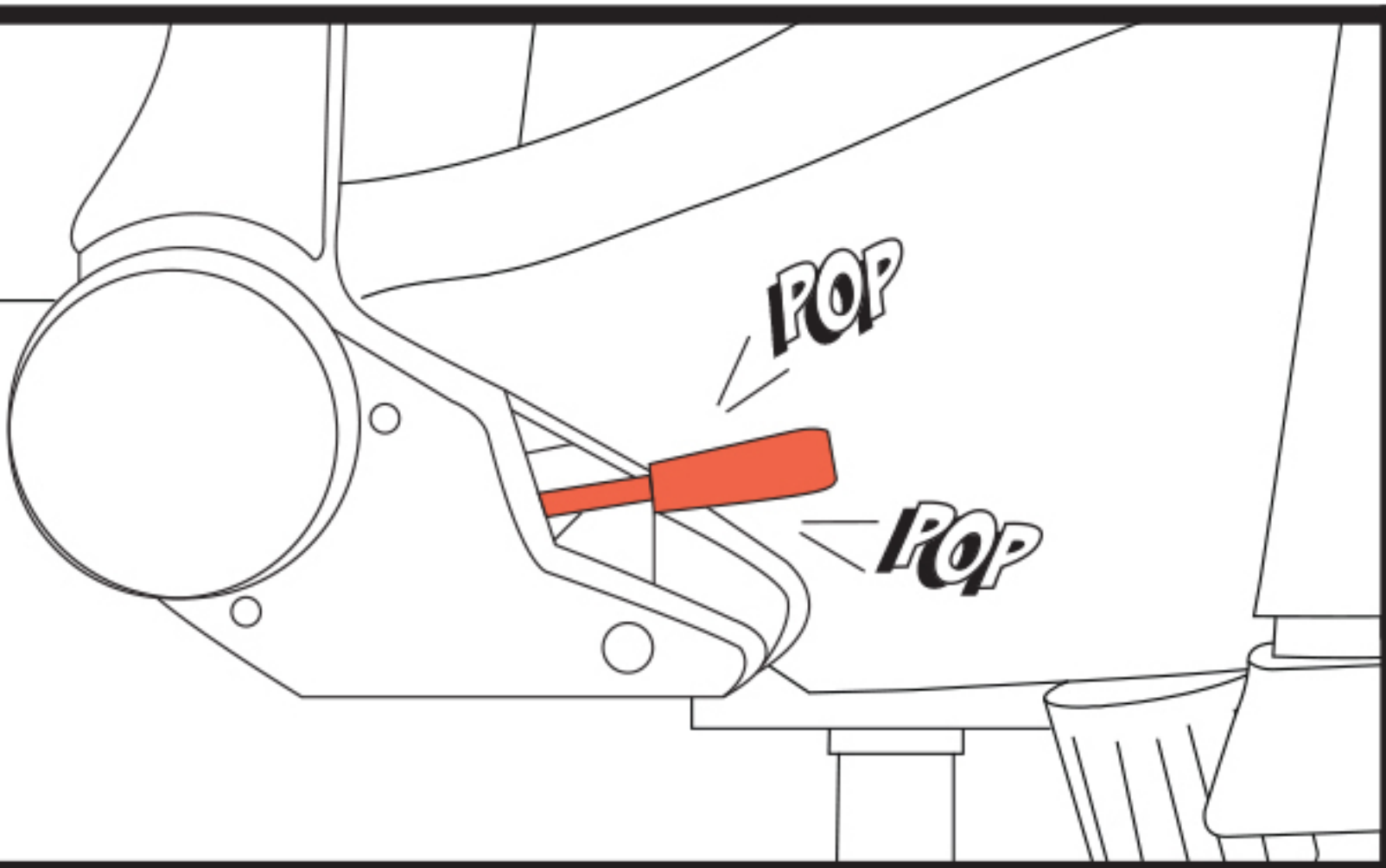
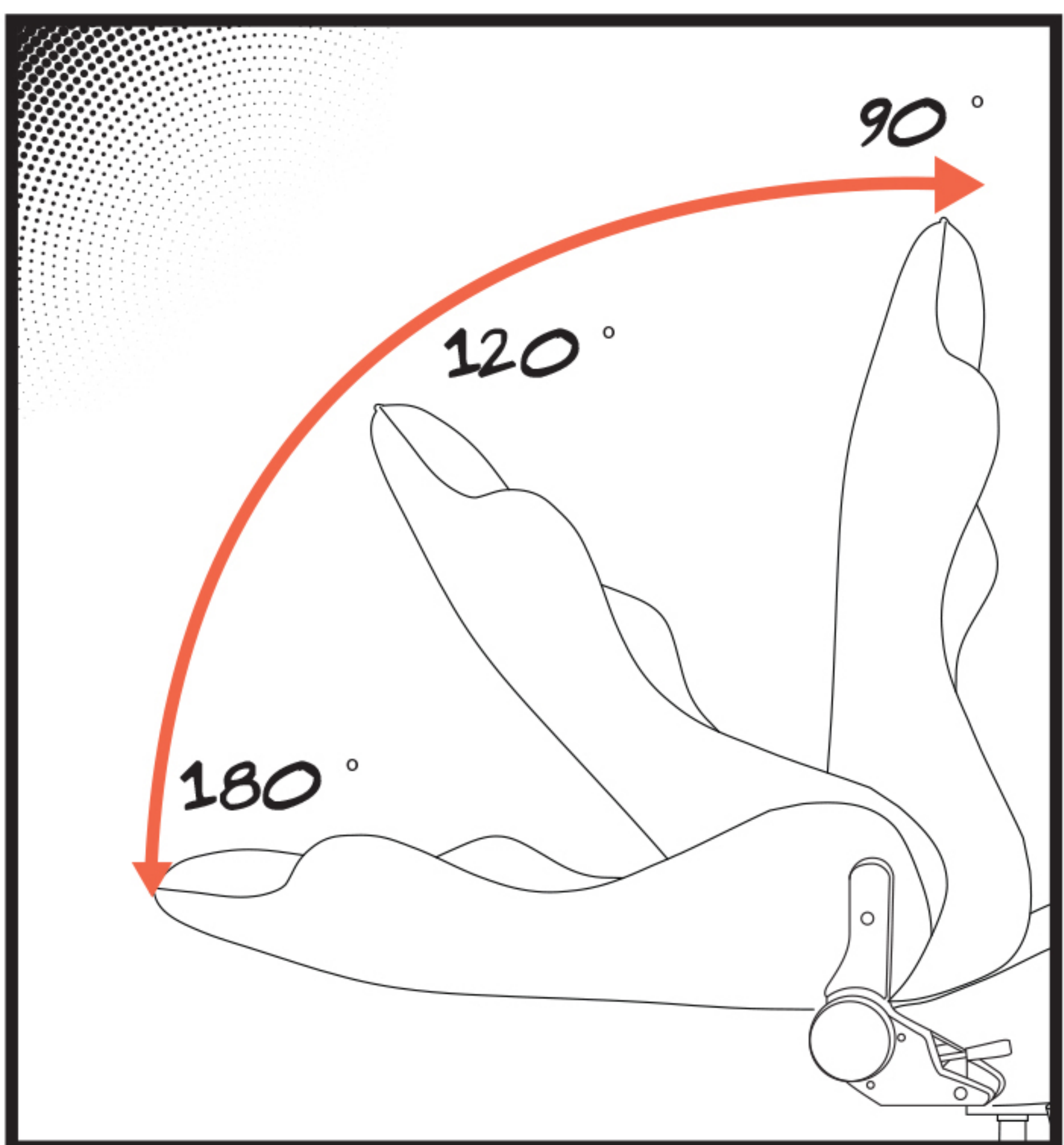
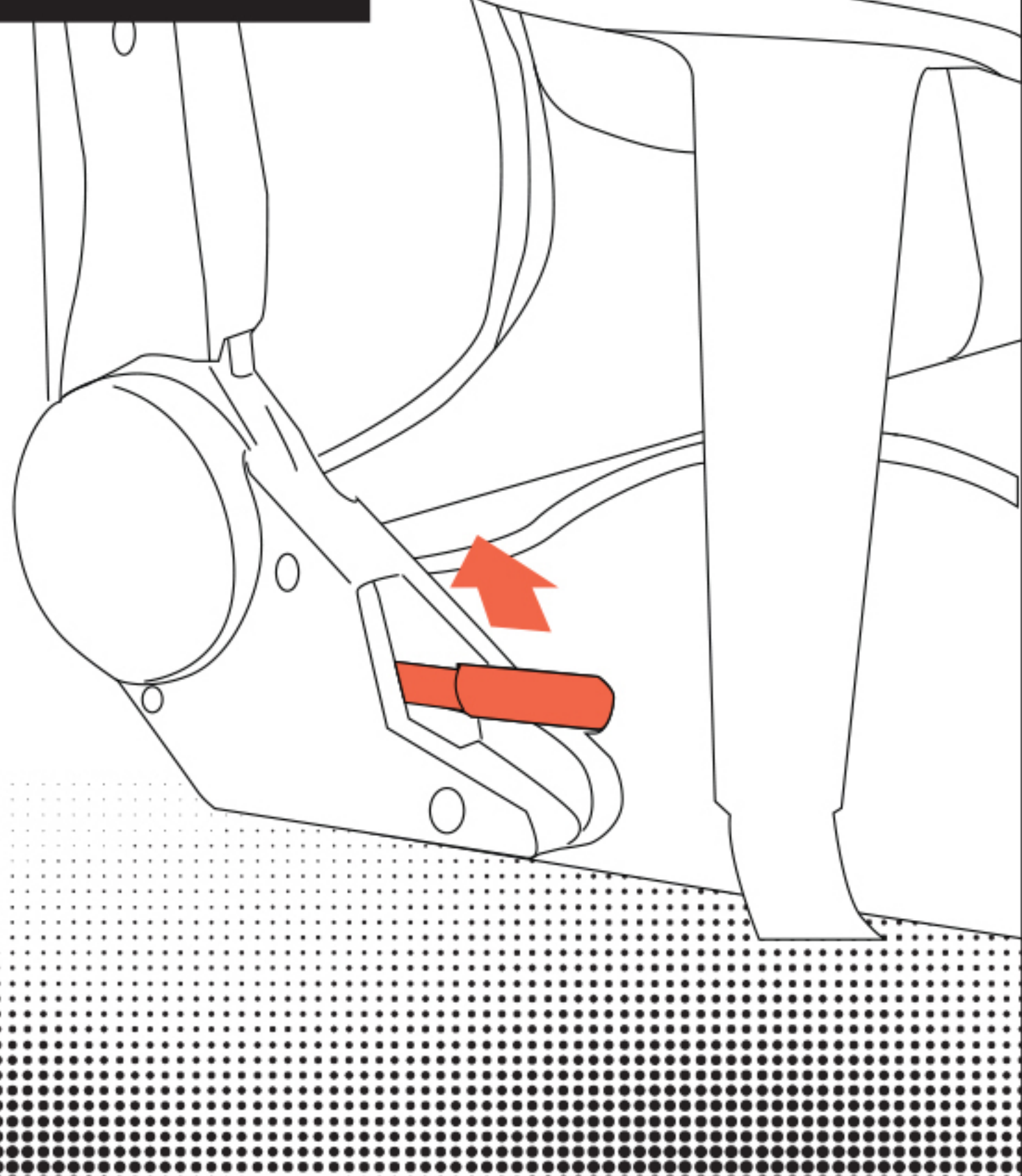
cs@hyggeinc.net

CHECK

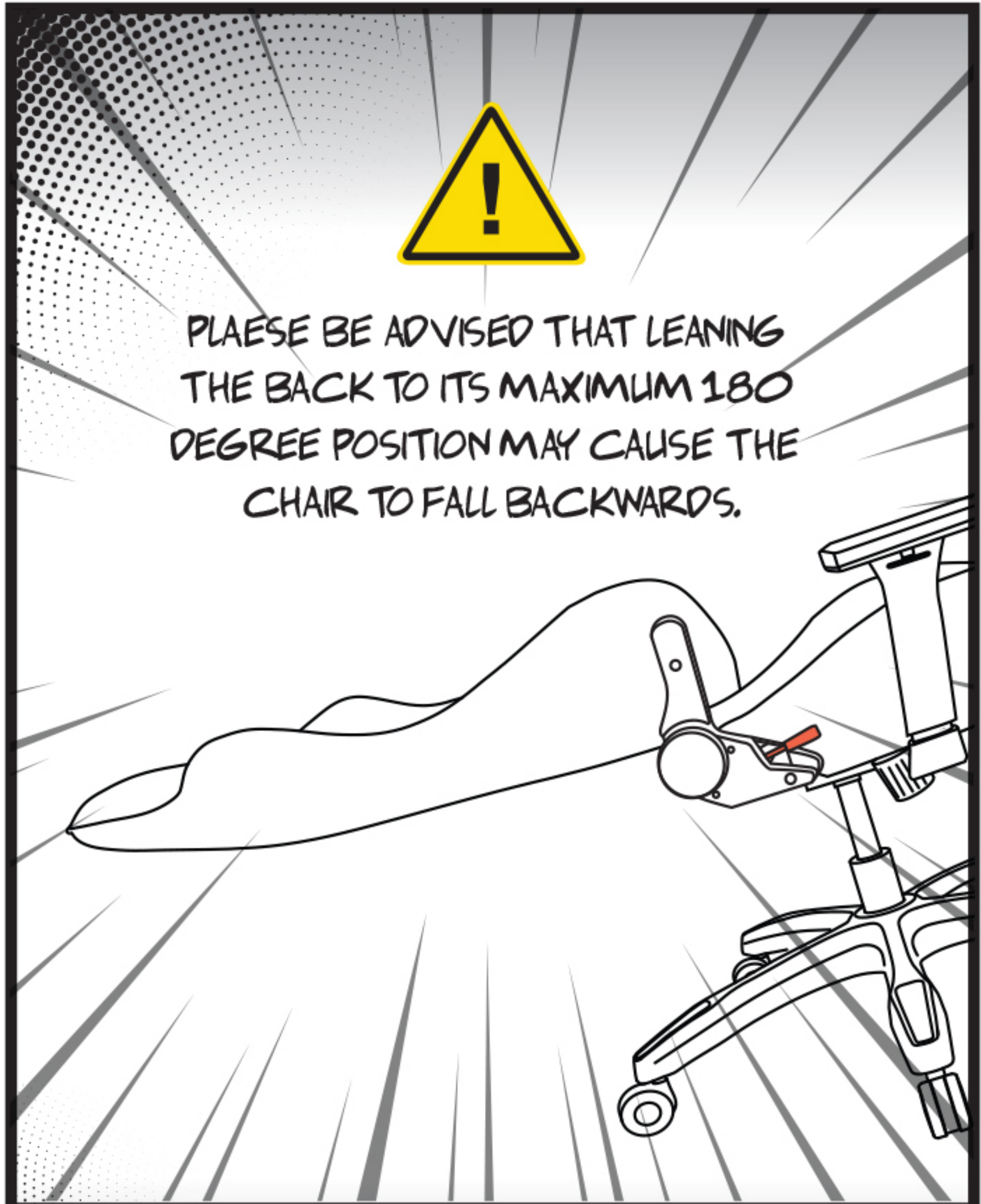


If the CONTROL MECHANISM is properly installed, it should be on your RIGHT.

RECLINE

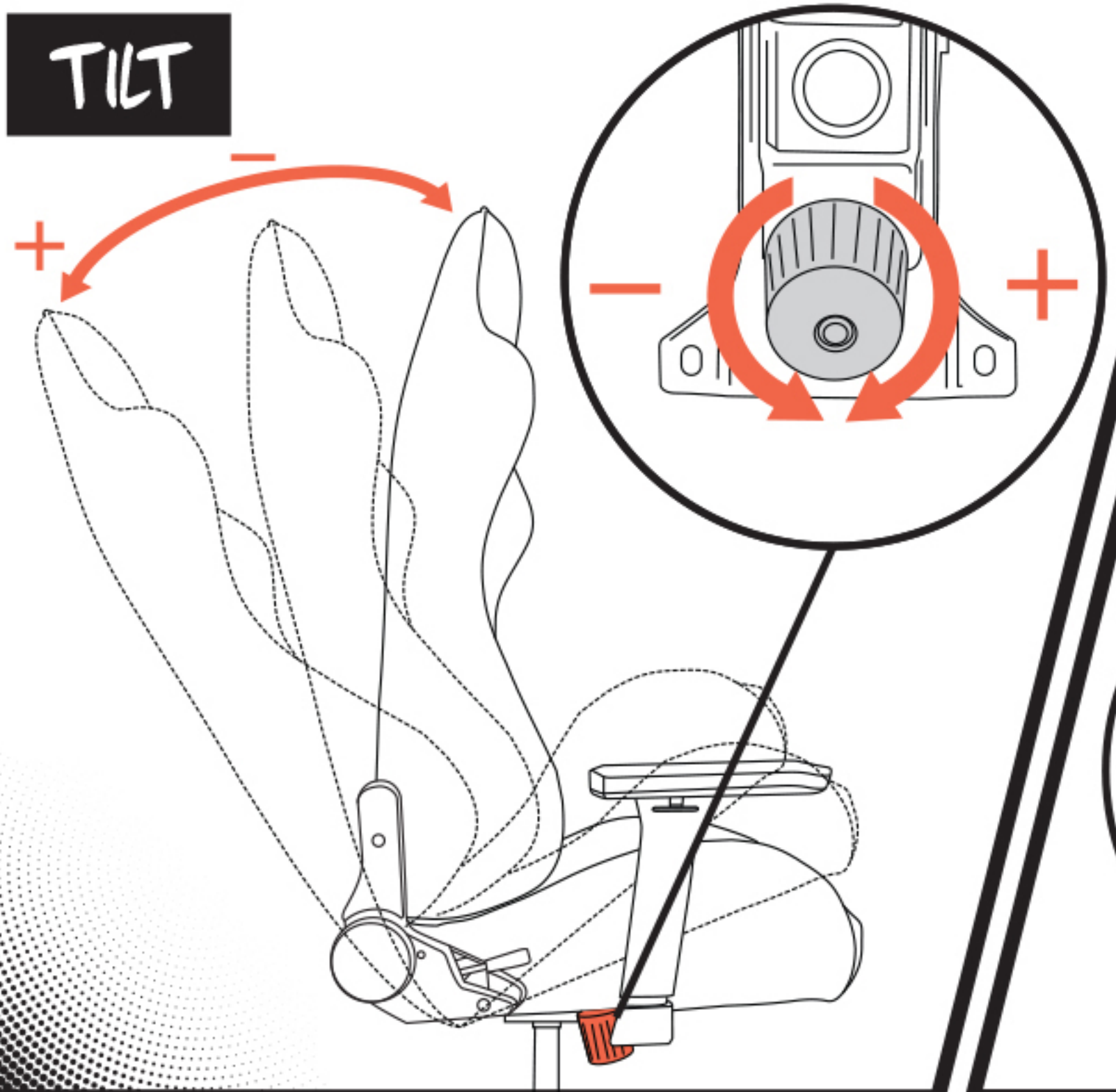


When you lay it down at 180 degrees, you may hear popping noises. This is not a defect of the product.

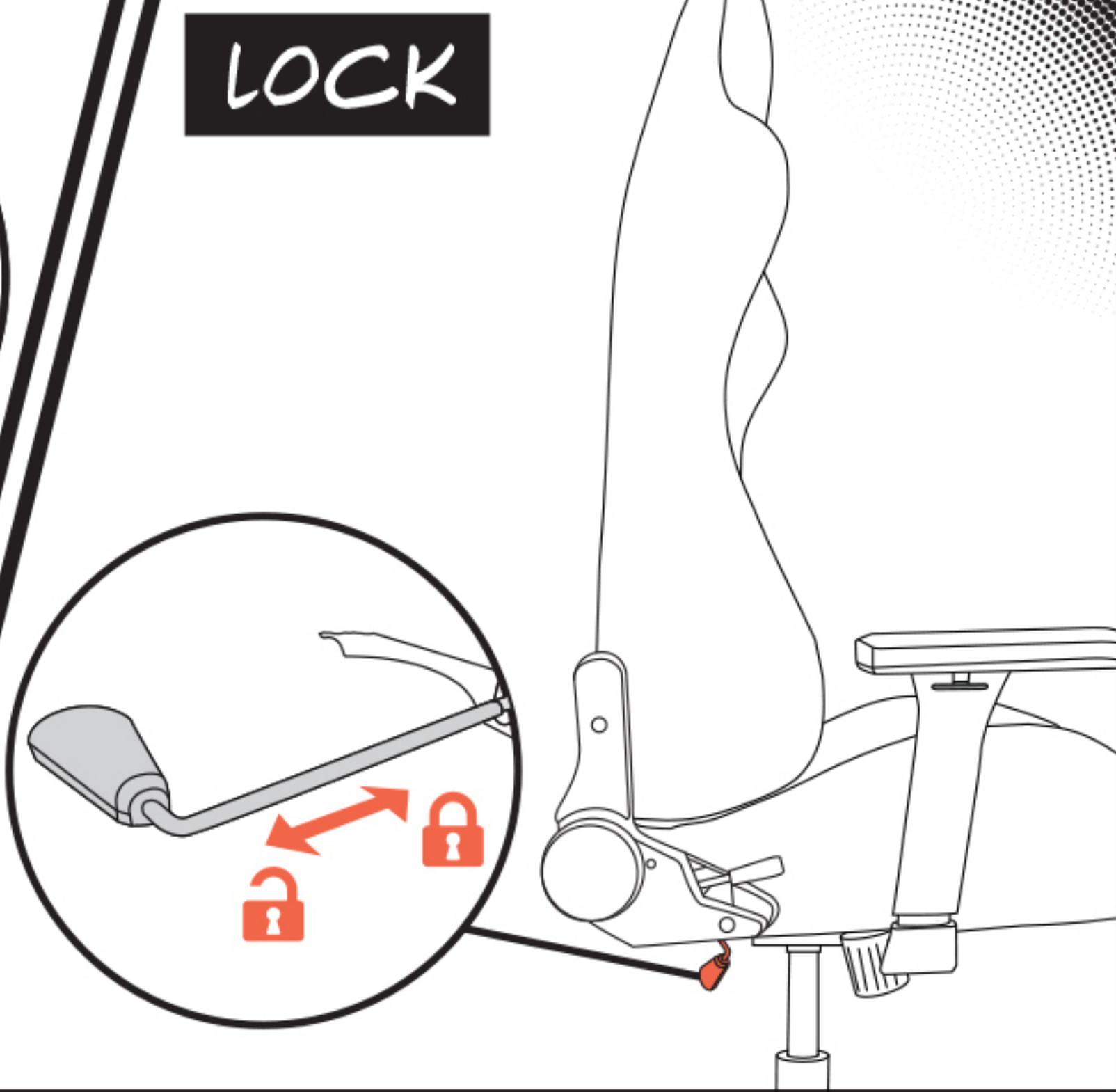


PLEASE BE ADVISED THAT LEANING THE BACK TO ITS MAXIMUM 180 DEGREE POSITION MAY CAUSE THE CHAIR TO FALL BACKWARDS.

TILT

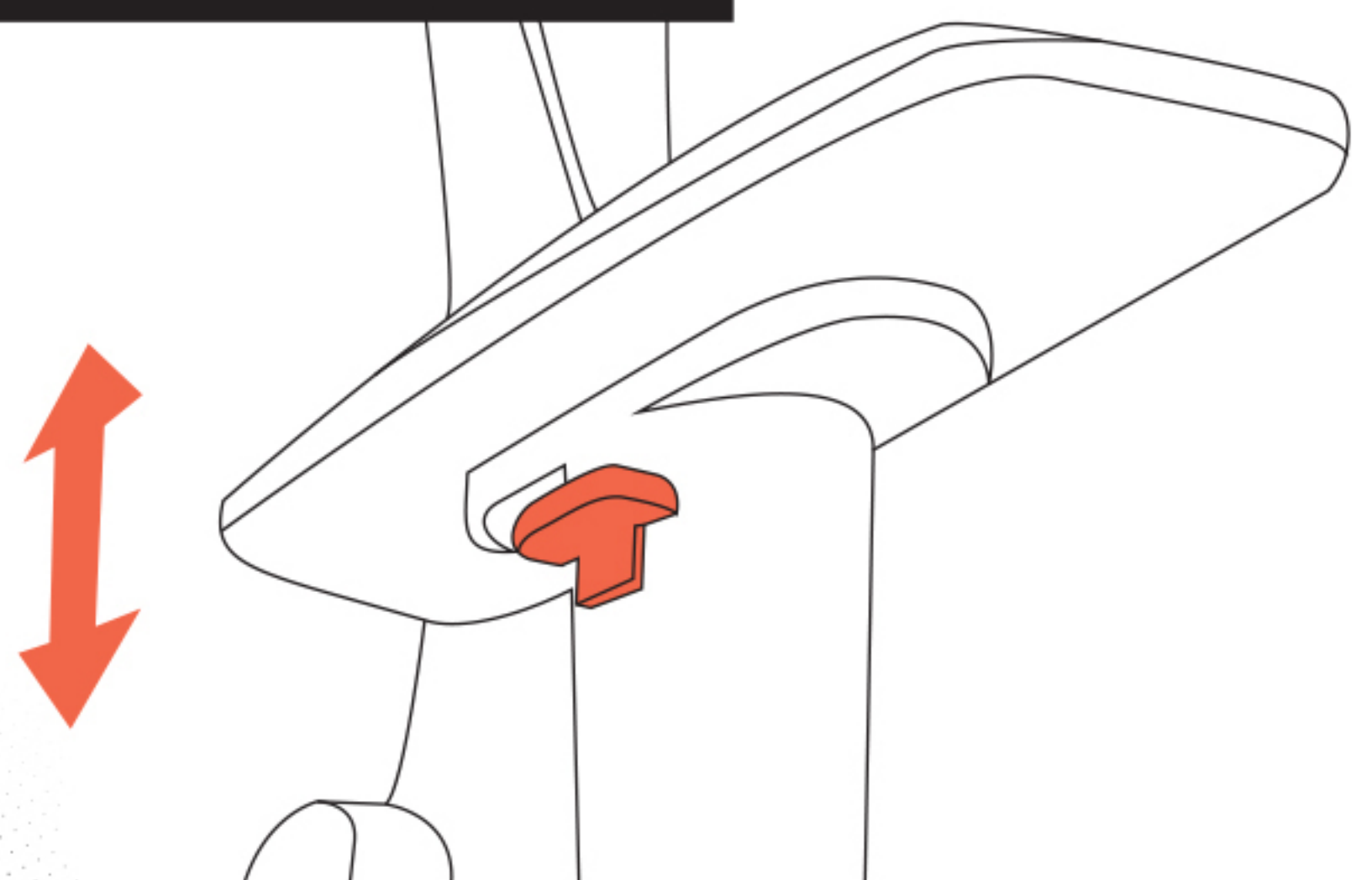


LOCK

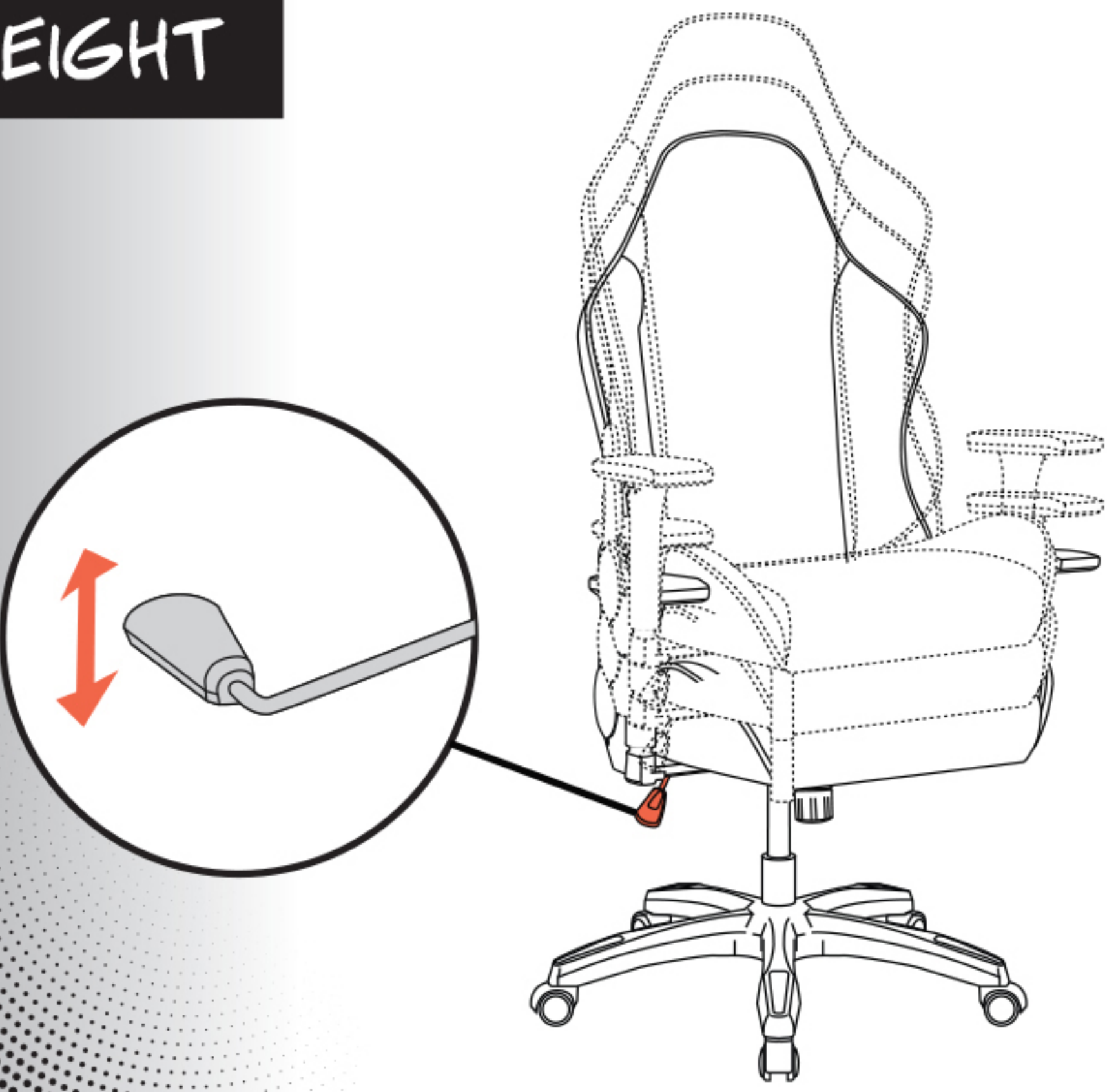


MAKE SURE LOCK YOUR CHAIR FIRST BEFORE RECLINING.

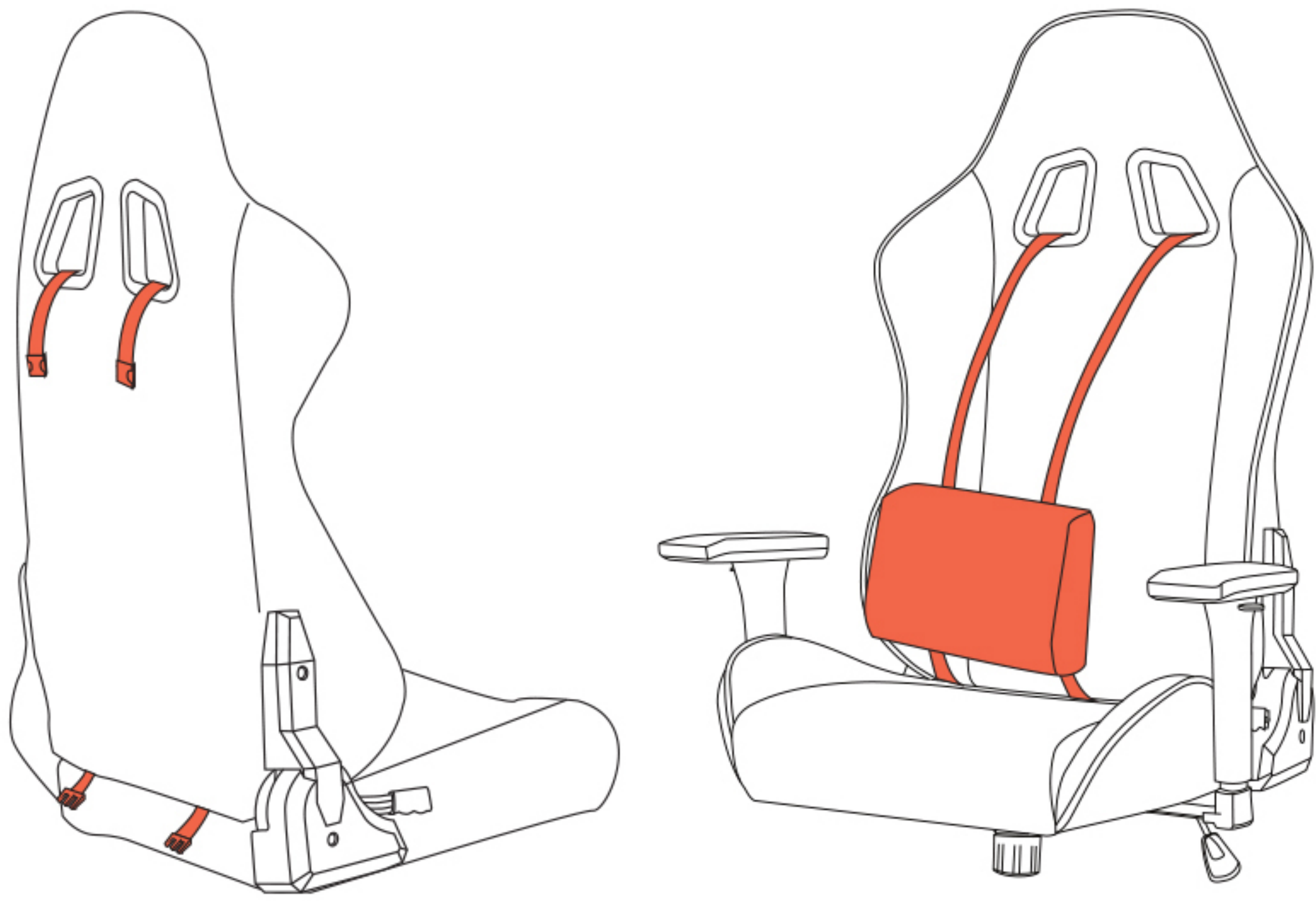
ARMREST ADJUSTABLE



HEIGHT



NECK CUSHION / LUMBAR SUPPORT



* Note: Spider-Man model's lumbar cushion is NOT adjustable.

✉ ***CS@HYGGEINC.NET***

🌐 ***WWW.NEOCHAIR.NET***

f NEOCHAIR

#MARVEL #GAMING CHAIR #MARVEL GAMING CHAIR

***“WE ARE ALWAYS HERE FOR YOU!
LET US KNOW WHAT YOU THINK”***

MARVEL

MARVEL.COM

NEO CHAIR INC.

provides officially licensed Marvel products.

MARVEL

USER GUIDE & ASSEMBLY INSTRUCTIONS



0 1939 1228

