

# ZF Transmission Filter Replacement

## FLUID FILTER

### 7.1 Mounting the fluid filter

- Wet O-rings (item 1 and 2, Fig. 7-1) with some ATF fluid and mount them.
- Install filter element (item 3, Fig. 7-1) into the transmission.
- Lock cover (item 4 Fig. 7-1) to the transmission using an allen wrench. Tightening torque: min. 5 Nm - max 8 Nm (min. 4 ft.lb. - max 6 ft.lb.)

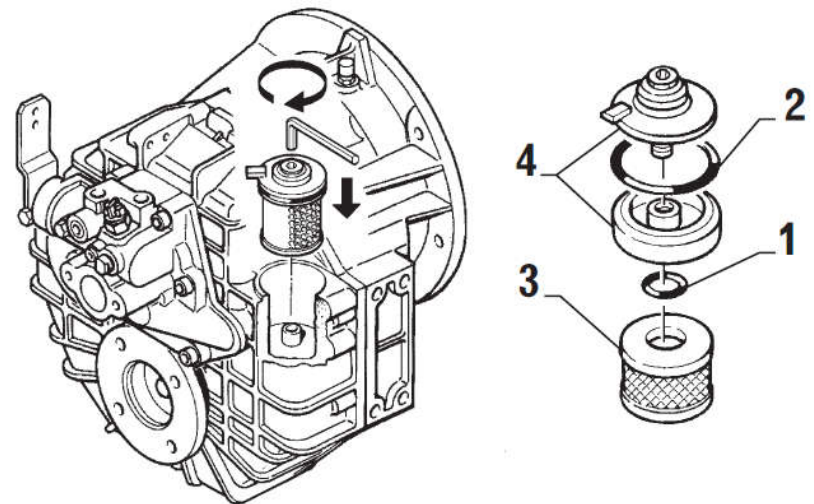


FIG. 7 - 1