



SEASTAR
SOLUTIONS®

640 North Lewis Road
Limerick, PA 19468 USA
610-495-7011
www.seastarsolutions.com



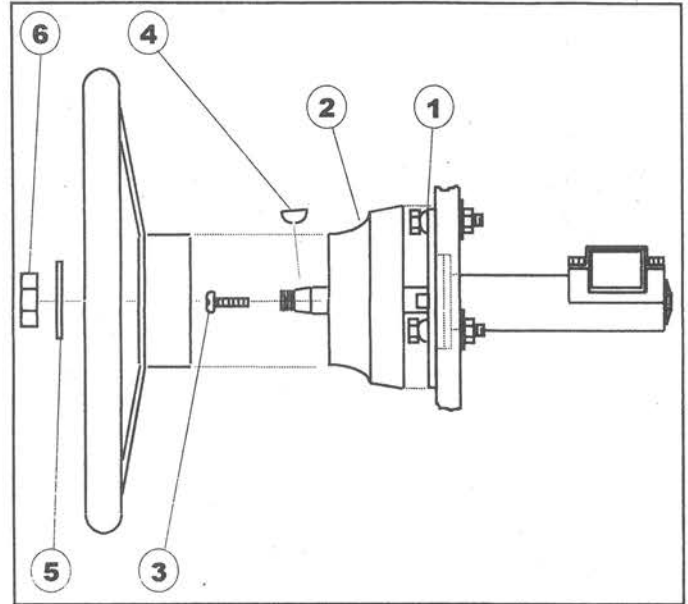
SB39526, SB39544 BEZEL KIT THE BACK MOUNT RACK AND BACK MOUNT RACK SYSTEMS INSTRUCTIONS

INSTALLER: THESE INSTRUCTIONS CONTAIN IMPORTANT SAFETY INFORMATION AND MUST BE FORWARDED TO THE BOAT OWNER.

The following instructions describe how to install a bezel kit on The Back Mount Rack System helm. The SB39526 kit is designed to work with SH5210 Series Back Mount Rack Helms only, while the SB39544 kit is designed to work with SH5230 Series **nfb™** (No Feed Back) Back Mount Rack Systems only. Also included are instructions for installing a steering wheel.

1. Fully install the helm mounting plate (item 1) and helm in accordance with instructions packed with the helm.
2. Slide the bezel (item 2) over the shaft and retain in place with two screws (item 3).
3. Insert key (item 4) in slot on shaft, and push steering wheel firmly onto shaft.
4. Retain steering wheel in place with washer (item 5) and lock nut (item 6).

CAUTION: *Steering wheel should fit snugly on key. Do not hammer into position, helm can be damaged.*



PARTS LIST		
Item	Part	Qty.
1*	Mounting Plate	1
2	Bezel	1
3	Screw, #8-32 x 1" Lg. Self Tap	2
4	Woodruff Key	1
5	Washer, 1/2" ID	1
6	Lock Nut, 1/2-20	1
7*	Bolt, 1/4-20 x 2 1/8" Lg.	3
8*	Lock Nut, 1/4-20	3
9*	Washer, 1" OD	3
10*	Bolt, 1/4-20 x 1" Lg. Lock Patch	3
11*	Washer, 1/2" ID	3

*These items installed in accordance with instructions packed with the helm (ref. IS-SH5210/15 for SB39526; IS-SH5230/35 for SB39544).

KEEP THESE INSTRUCTIONS WITH YOUR BOAT FOR FUTURE REFERENCE.