



SEASTAR
SOLUTIONS®

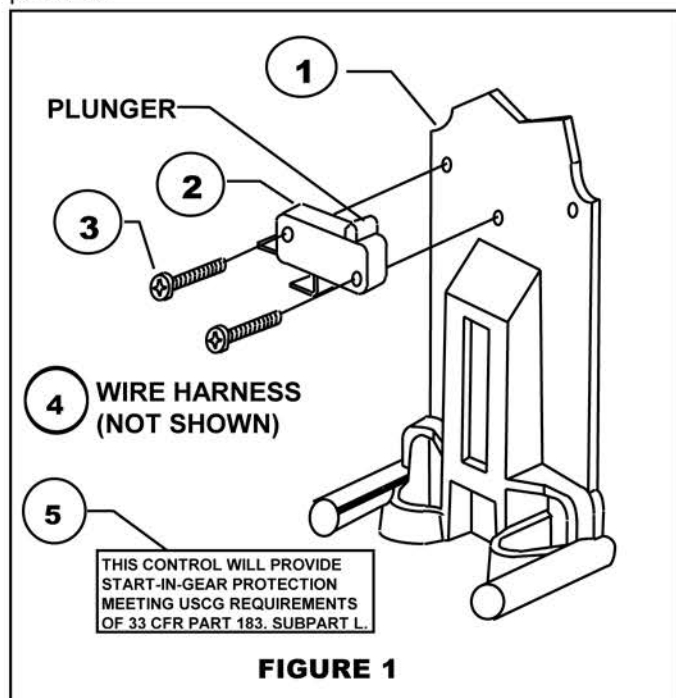
640 North Lewis Road
Limerick, PA 19468 USA
610-495-7011
www.seastarsolutions.com

CA27090P NEUTRAL START SWITCH KIT FOR CH2100P-CH2200P-CH2600P-CH2700P CONTROLS INSTRUCTIONS

INSTALLER: THESE INSTRUCTIONS CONTAIN IMPORTANT SAFETY INFORMATION AND MUST BE FORWARDED TO BOAT OWNER.

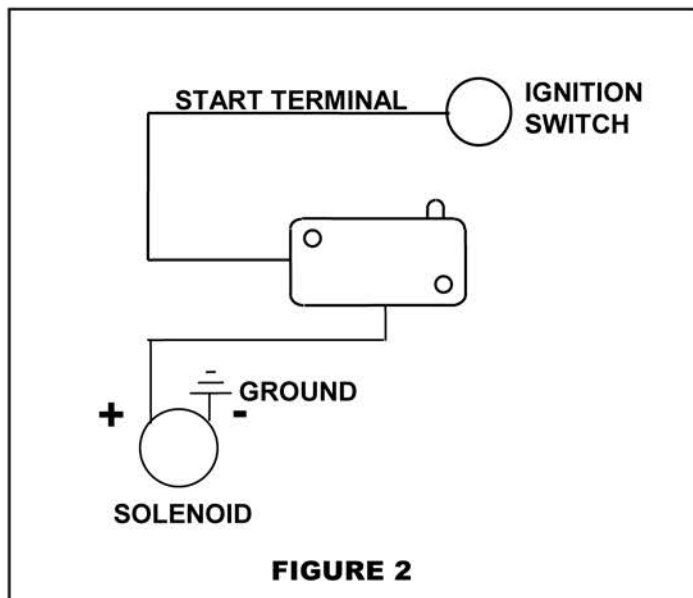
This kit contains necessary parts to provide 'Start in Gear Protection' by allowing the starter motor to be engaged only when the control is in "neutral". Use this kit only with marine engines that use a solenoid for control of the starter motor. Do not substitute parts.

Place the switch (item 2) on the control as shown in Figure 1 so that the plunger contacts the stamped metal cam of the control while the control is in the neutral position.



Route the wires so they will not in any way come in contact with the cable or moving parts of the control. If necessary, the switch can be mounted on the right side (left side mounting shown in Figure 1). Connect one wire of the switch to the "Start" terminal on the ignition switch and the other to the **positive** terminal of the starter solenoid (see Figure 2 and warning).

Locate the **red** label on the control stating "This control **will not** provide start in gear protection..." and replace it with the **white** label provided in this kit (item 5) which states "This control **will** provide start-in-gear protection...". This is done to comply with United States Coast Guard regulations (33 CFR Part 183, Subpart L) which requires controls to identify its ability to provide start-in-gear protection. If no red label is present then install the white label on any clean, smooth surface of the control.



WARNING

CONNECTION TO THE GROUND (-) TERMINAL OF THE SOLENOID WILL SHORT CIRCUIT AND DESTROY THIS SWITCH.

Check for correct operation by trying to start the engine at all gear lever positions. If the engine starts in either forward or reverse positions, check connection at ignition switch.

PARTS LIST

ITEM	DESCRIPTION	QTY.
1	CONTROL	--
2	SWITCH	1
3	SCREW	2
4	WIRE HARNESS	1
5	LABEL (WHITE)	1