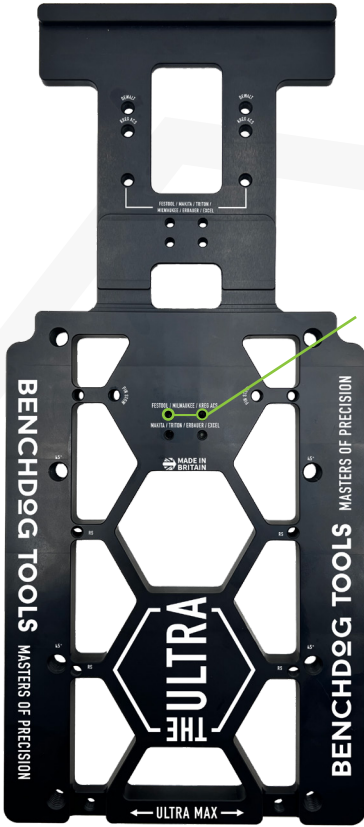


MK3 RAIL SQUARE ULTRA SET UP INSTRUCTIONS

CONTENTS: 1X MK3 RAIL SQUARE ULTRA • 1X CLASP • 2X PINS • 2X SCREWS • 2.5MM HEX KEY

FESTOOL • MILWAUKEE • KREG ACS



FESTOOL / MILWAUKEE / KREG ACS

ALIGN UP CLASP WITH THE TOP TWO HOLES AND SECURE INTO PLACE



PINS HERE

ALIGN UP CLASP WITH THE TOP TWO HOLES AND SECURE INTO PLACE

KREG ACS



PINS HERE

MAKITA • TRITON • ERBAUER • EXCEL



MAKITA / TRITON / ERBAUER / EXCEL

ALIGN UP CLASP WITH THE BOTTOM TWO HOLES AND SCREW INTO PLACE



PINS HERE

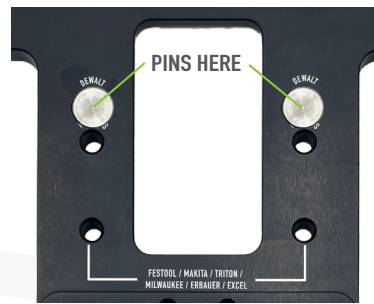
MK3 RAIL SQUARE ULTRA SET UP INSTRUCTIONS

DEWALT



DEWALT

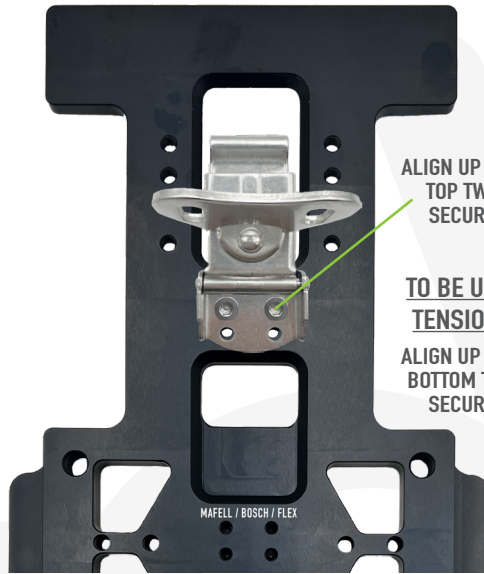
TENSION HOLES IF YOU REQUIRE MORE TENSION
(EVERY TRACK IS DIFFERENT AND YOU MAY REQUIRE ADDITIONAL TENSION WHEN SETTING UP YOUR RAIL SQUARE TO YOUR TRACK)



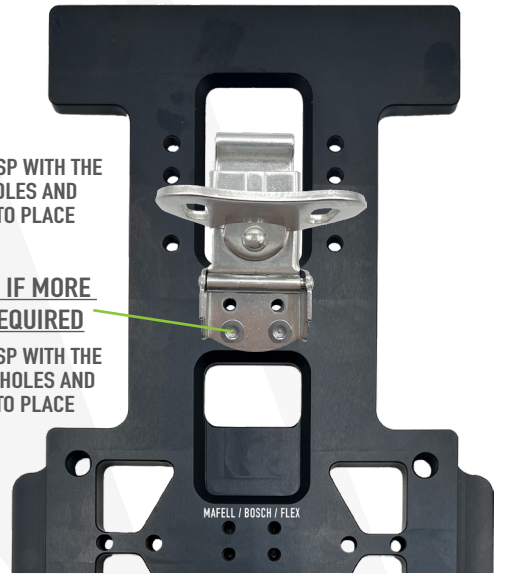
PINS HERE

FRONT

BACK



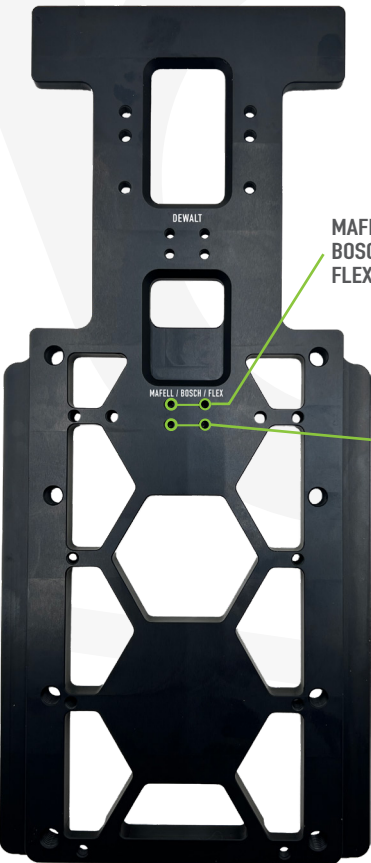
ALIGN UP CLASP WITH THE TOP TWO HOLES AND SECURE INTO PLACE



TO BE USED IF MORE TENSION REQUIRED

ALIGN UP CLASP WITH THE BOTTOM TWO HOLES AND SECURE INTO PLACE

MAFELL • BOSCH • FLEX

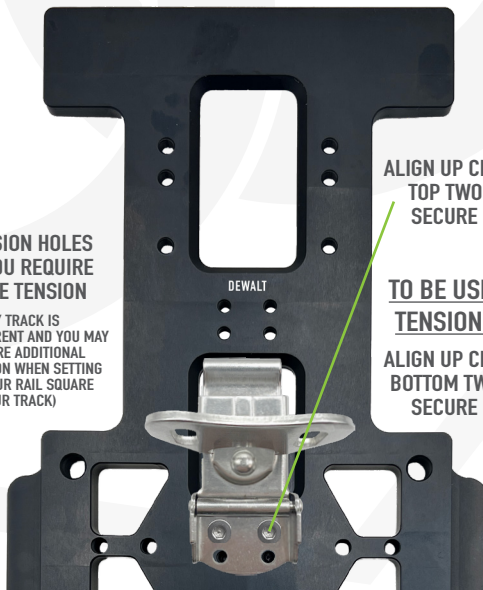


MAFELL
BOSCH
FLEX

TENSION HOLES IF YOU REQUIRE MORE TENSION

(EVERY TRACK IS DIFFERENT AND YOU MAY REQUIRE ADDITIONAL TENSION WHEN SETTING UP YOUR RAIL SQUARE TO YOUR TRACK)

NOTICE: PINS ARE NOT REQUIRED FOR THE MAFELL / BOSCH / FLEX TRACKS



ALIGN UP CLASP WITH THE TOP TWO HOLES AND SECURE INTO PLACE

TO BE USED IF MORE TENSION REQUIRED

ALIGN UP CLASP WITH THE BOTTOM TWO HOLES AND SECURE INTO PLACE

BACK