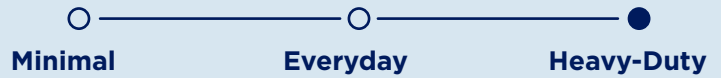




SUITABLE COOKING STYLE & FEATURES:



600
CFM

POWERFUL
SUCTION

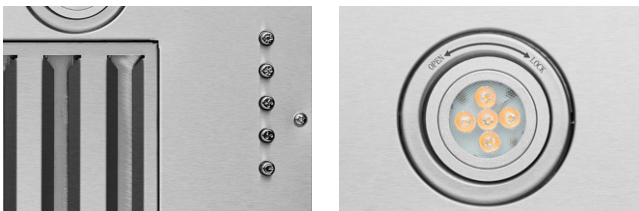
3
SPEED
SETTING

RECIRCULATING
OPERATION

IN-R100 PRO-STYLE BUILT-IN

SIZES: 30"

PRODUCT DESCRIPTION



Designed to seamlessly blend into any kitchen, the IN-R100 can be installed using a ducted or ductless ventilation operation. This hood handles light or heavy-duty cooking with three speed settings and 600 CFM suction power. And the easy to remove baffle filters can be tossed into the dishwasher for a fast clean-up, keeping your kitchen fresh and odor-free.

WHAT'S INCLUDED

Dishwasher-safe baffle filter (1)
top 6" round adapter (1)

OVERALL PRODUCT DIMENSIONS (WxDxH)

IN-R100SS-30: 29-3/8" x 11-1/4" x 10"

WARRANTY

2-Year Limited Warranty and Lifetime
Warranty on Motor



FEATURES & BENEFITS:

PRO-STYLE DESIGN:

Crafted with high quality stainless steel and full-size baffle filter handles.

POWERFUL SUCTION:

Utilizes different speed settings to extract harmful cooking fumes from heavy-duty cooking, high heat, and excess smoke.

LOW-NOISE OPERATION:

Uniquely designed duct system and large motor to effectively reduce airflow noises.

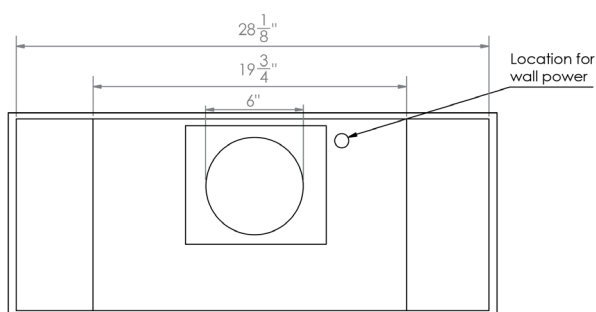
HEAVY-DUTY BAFFLE FILTERS:

The dishwasher-safe stainless-steel baffle filters catch grease and come with full-size handles for easy removal and effortless daily maintenance.

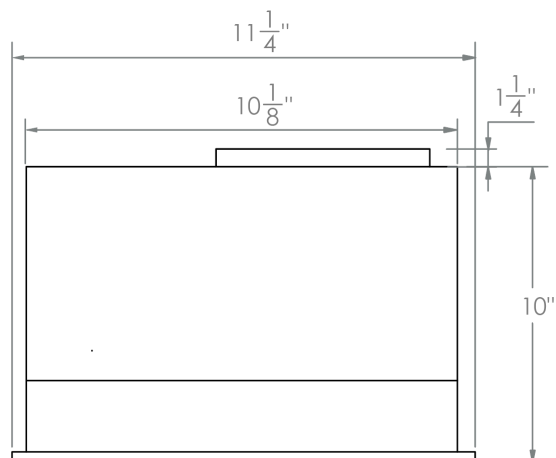
EASILY CONVERT TO DUCTLESS:

Versatile cooker hood fits a 6" round duct and works in a ductless kitchen; simply combine it with our effective charcoal filters (CFI001, sold separately) to trap grease particles from fumes and deodorize cooking smells.

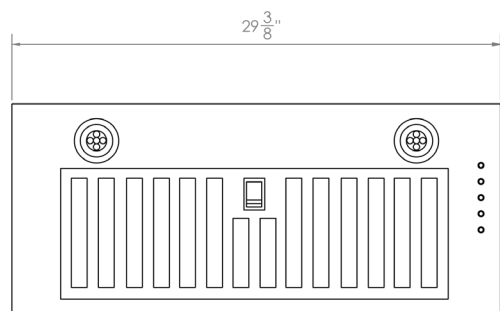
DETAILED DRAWING



TOP



SIDE



FRONT

SPECIFICATIONS

| | | | |
|--------------------------|--|---------------------------------|-------------------|
| SIZE | 30" | EQUIVALENT AIRFLOW | 600 CFM |
| STYLE | Built-In/Recessed | LABORATORY AIRFLOW | 450 CFM |
| DUCTLESS | Yes | TOP VENTING | 6" Round |
| CLEANING FUNCTION | N/A | REAR VENTING | N/A |
| NOISE LEVEL | 1.5 to 7.0 Sones | MOTOR | Single |
| LIGHT COLOR TEMP. | Warm / 2700 Kelvin | WATTAGE | 336W |
| LIGHT BULB | 3W LED (GU10 Base) | VOLTAGE | 120V |
| LIGHT INTENSITY | 1 Level | CONNECTION | Plug-In |
| CONTROL | Push Buttons | AMPERAGE | 2.8 Amp |
| SPEED SELECTIONS | 3 Levels | CUT-OUT DIMENSIONS (WxD) | 28-3/8" x 10-3/8" |
| CONVERTIBLE | Yes. Charcoal Filters (CFI001) Not Included. | | |